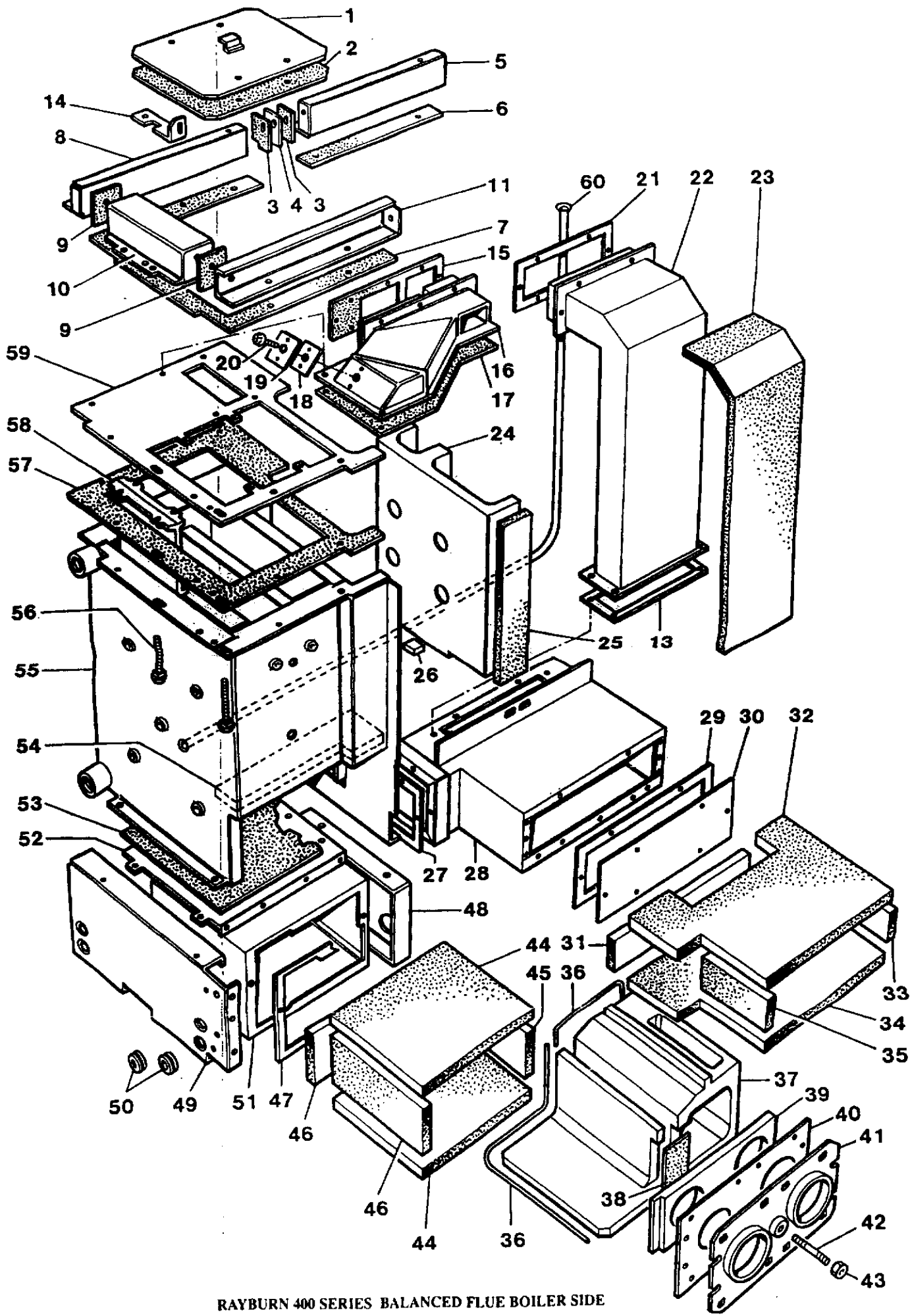
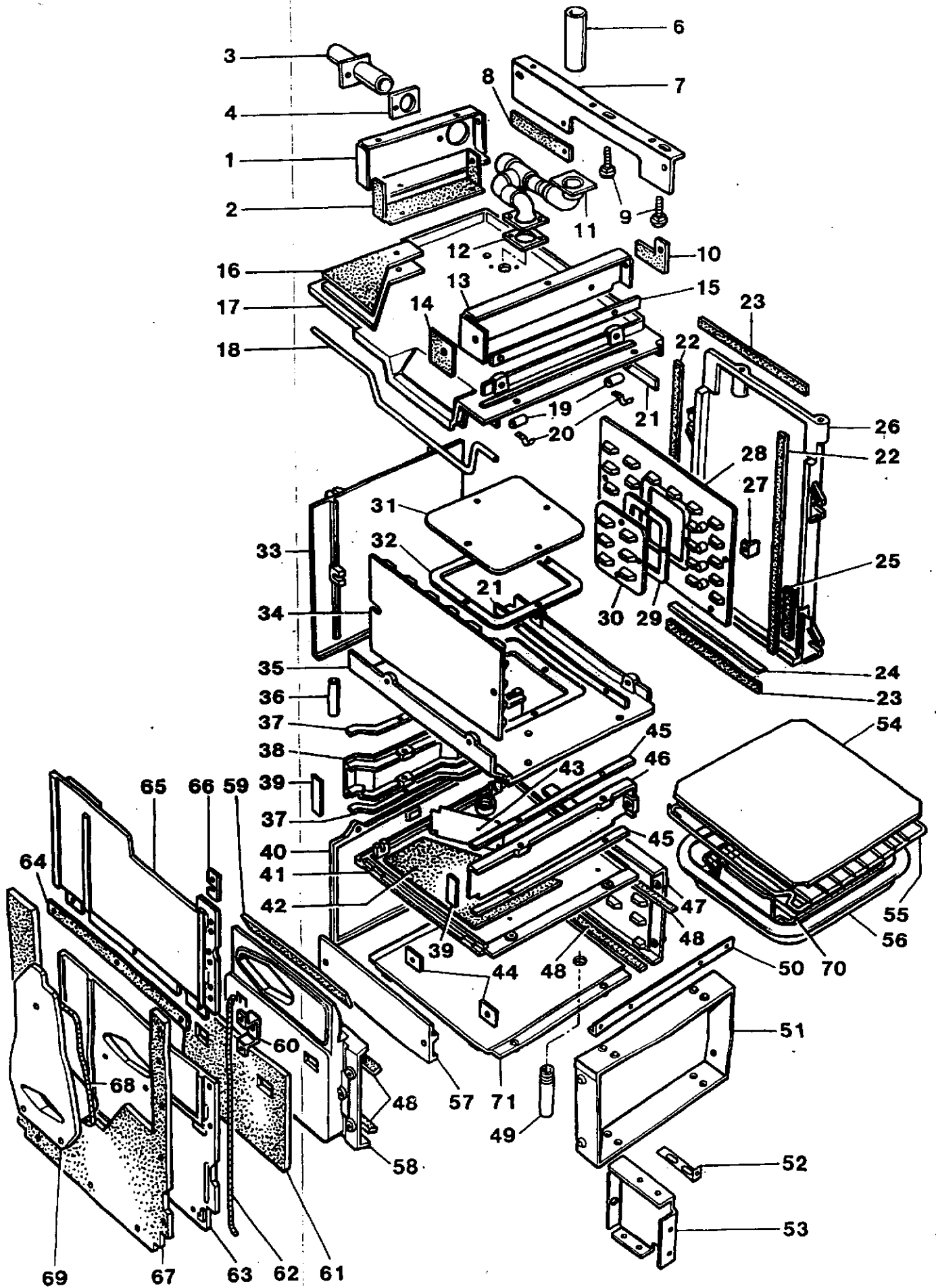


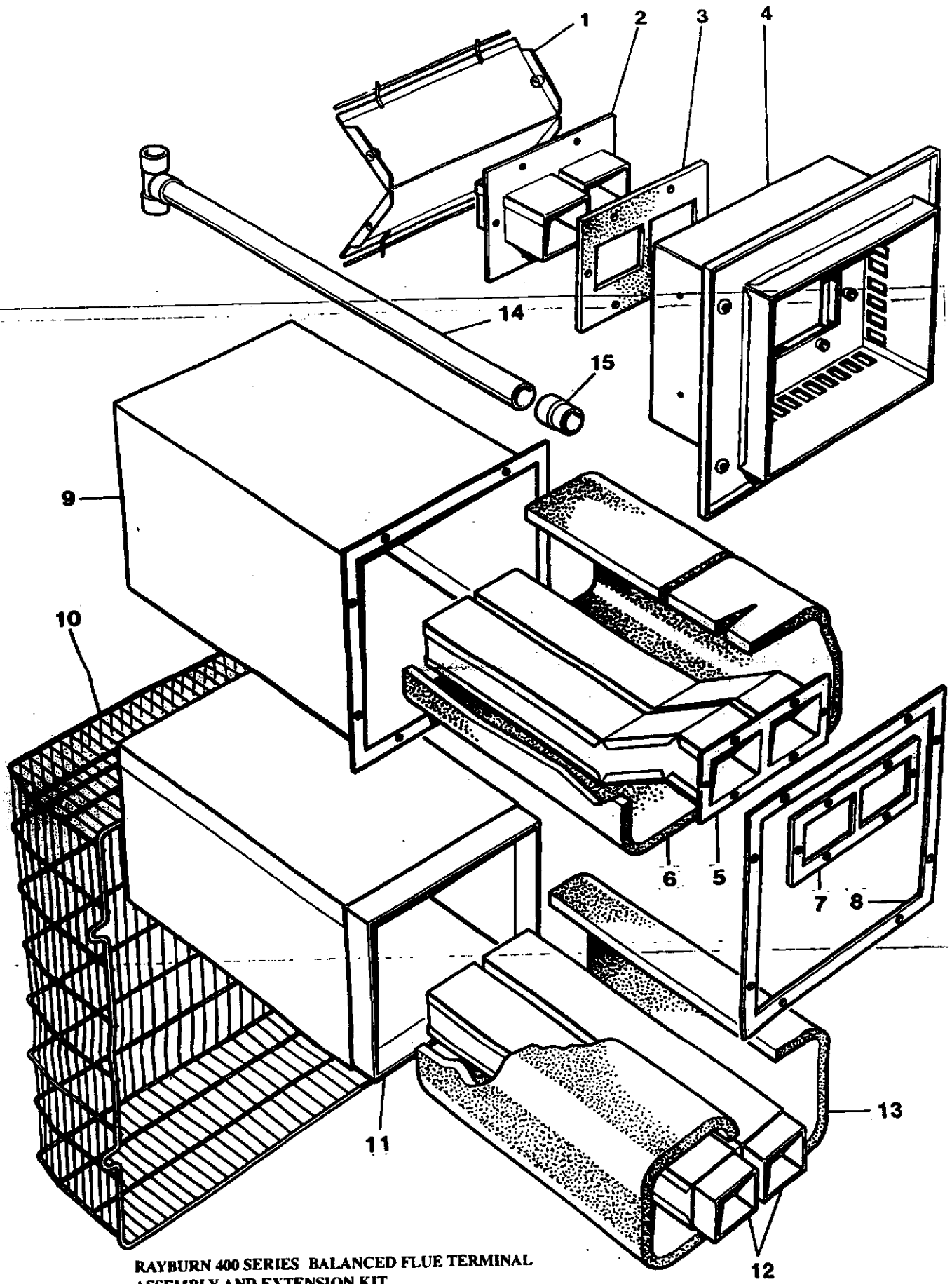
RAYBURN 400 SERIES BALANCED FLUE FRONT  
 PLATE/DOORS AND SIDE PANELS



RAYBURN 400 SERIES BALANCED FLUE BOILER SIDE

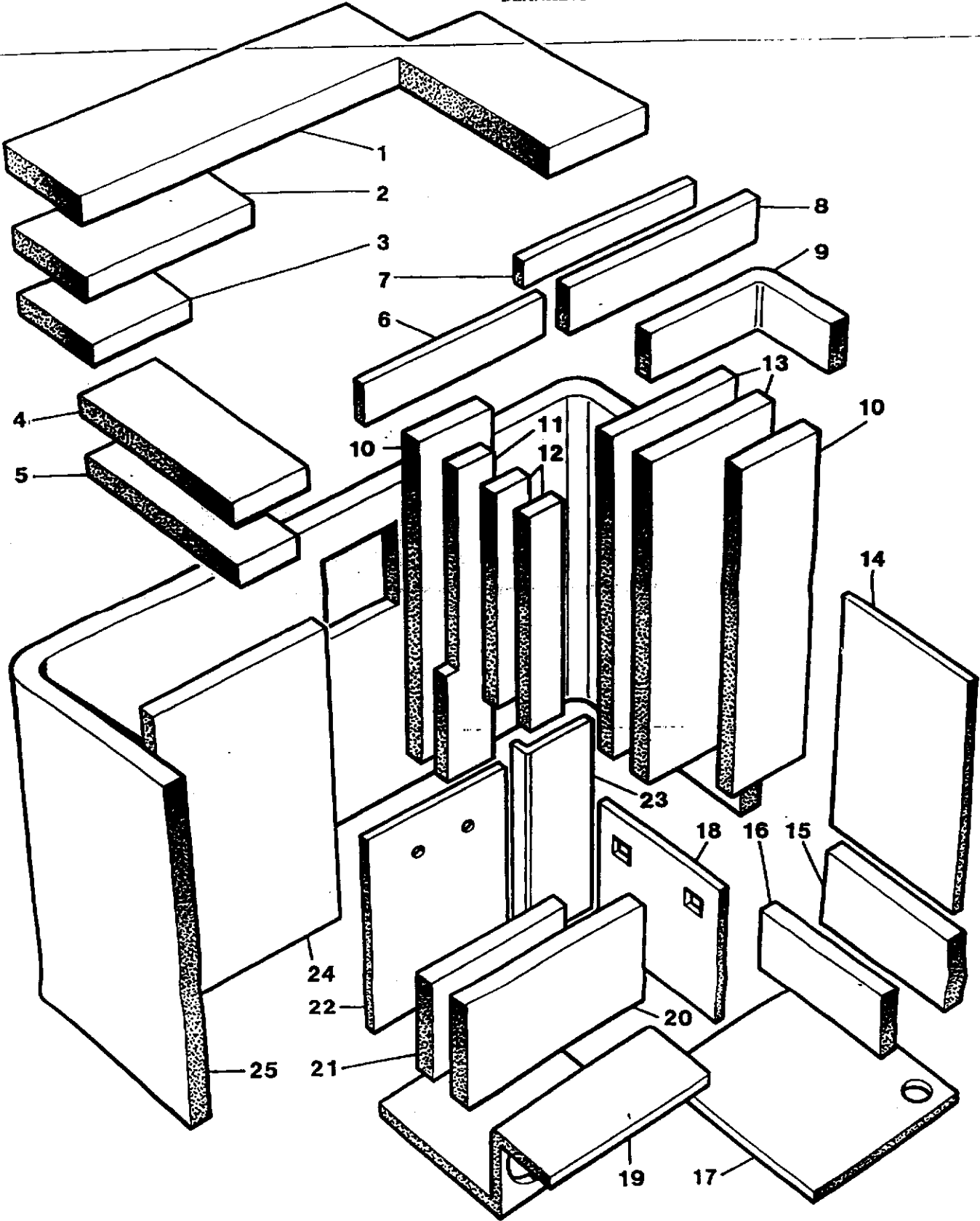


RAYBURN 400 SERIES BALANCED FLUE OVEN SIDE



**RAYBURN 400 SERIES BALANCED FLUE TERMINAL ASSEMBLY AND EXTENSION KIT**

RAYBURN 400 SERIES BALANCED FLUE INSULATION BLANKETS



RAYBORN 400 SERIES BAL FLUE

Subble Number	Cat. No.	Description	Product Code
<b>INSULATION BLANKETS</b>			
1	R3386	INSULATION - HOB PLATE B/F	JPAD340681
2	R3387	INSULATION - HOB PLATE B/F	JPAD340683
3	R3388	INSULATION - HOB PLATE B/F	JPAD340684
4	R3389	INSULATION - HOB PLATE B/F	JPAD340685
5	R3390	INSULATION - HOB PLATE B/F	JPAD340682
6	R2838	INSULATION TOP FRONT T10	JPAD340266
7	R2839	INSULATION TOP FRONT T11	JPAD340267
8	R2840	INSULATION TOP FRONT T12	JPAD340268
9	R3391	INSULATION - TOP RIGHT REAR FLUE FEATHER B/F	JPAD340676
10	R3392	INSULATION - R/R RH AIR INLET B/F	JPAD340677
11	R2851	PAD - BOILER BACK PANEL	JPAD340203
12	R2850	PAD - BOILER BACK PANEL	JPAD340202
13	R3393	INSULATION - R/R RH AIR INLET B/F	JPAD340678
14	R2842	INSULATION RH SIDE	JPAD340155
15	R3394	INSULATION - RH OVEN SIDE B/F	JPAD340679
16	R3395	INSULATION - RH AIR INLET B/F	JPAD340680
17	R3349	INSULATION - SIMMERING OVEN BASE	JPAD340379
18	R2771	INSULATION - SIMMERING OVEN LH SIDE C/F & B/F	JPAD340207
19	R2843	INSULATION BURNER CHAMBER BOTTOM B1	JPAD340270
20	R2849	INSULATION BOILER FRONT F4	JPAD340154
21	R2848	INSULATION BOILER FRONT F3	JPAD340151
22	R2847	INSULATION BOILER FRONT F2	JPAD340153
23	R2846	INSULATION BOILER FRONT F1	JPAD340152

RAYBORN 400 SERIES BAL FLUE

Page 1

Issue date: 8/10/96  
Issue number: .00

RAYBORN 400 SERIES BAL FLUE

Subble Number	Cat. No.	Description	Product Code
24	R2852	INSULATION - BOILER BACK PANEL	JPAD340204
25	R2854	INSULATION - OUTER BLANKET WRAP	JPAD340208
<b>FRONT PLATE/DOORS AND SIGN PANELS</b>			
1	R3466	SEALING PLATE - COOKER/TERMINAL	RO2M340723
2	R3415	BACK PANEL B/F	RO2V340407
3	R3351	LEFT HAND SIDE PANEL B/F & C/F	RO2V340505
4	R3352	GROMMET - HEYCO 4.400.2198	RO4M340705
5	R2780	BASE PLATE	RO5M340075
6	R2544	PANEL - RH SIDE	RO2V340019
7	R2737	FIXING BRACKET	RO2M313022
8	R2592	FRONT PLATE	RO5E340077
8	R2593	FRONT PLATE COMPLETE WITH DOORS	RO1M-PP-DR-480K
9	R2642	SEAL - TOP OVEN DOOR	JMAR340255
10	R3459	LINING PANEL - TOP OVEN DOOR	RO2M340471
11	R2986	PAD - INSULATION	JPAD340465
12	R2619	OVEN DOOR ONLY - ENAMELLED - ROASTING OVEN	RO5E340138
13	R2768	GASKET - THERMODIAL B/F	JGSQ340280
14	R2676	OVEN THERMODIAL BI-METAL ROUND	RO4T340295
15	R2641	SEAL - BOTTOM OVEN DOOR	JMAR340256
16	R2974	LINING PANEL - BOTTOM OVEN DOOR	RO2M313313
17	R2975	PAD - INSULATION	JPAD340466
18	R2614	OVEN DOOR ONLY - ENAMELLED - SIMMERING OVEN	RO5E340137
19	R2548	DOOR HANDLE C/W SCREWS	R89M31530-480K
20	R2563	DOOR CATCH ASSY - BURNER & CONTROLS DOOR	RO4M340278

RAYBORN 400 SERIES BAL FLUE

Page 2

Issue date: 8/10/96  
Issue number: .00

RAYBORN 400 SERIES BAL FLUE

Bubble Number	Cat. No.	Description	Product Code
20	R2680	DOOR CATCH ASSY - OVEN DOORS	RO4M340181
21	R2575	PLINTH	RO2V340016
22	R2618	OUTER BURNER DOOR ONLY - ENAMELLED -	RO5E340107
23	R3102	PANEL - BURNER DOOR LINING	RO2M340468
24	R2640	SEAL - BURNER ACCESS DOOR	JMAR340258
25	R3467	LIGHTING INSTRUCTIONS	RO4M340657
26	R2752	BRACKET - DOOR STOP CATCH	RO2M340349
27	R3417	M8 LOCKNUT (NYLON INSERT) Z/P	KNUT500327
28	R2758	WASHER - SPRING RETAINING	KWER340298
29	R2757	SPRING - DOOR CATCH	RO4M340297
30	R2753	DOOR KEEP	RO4M340185
31	R2754	LOCKNUT M8 Z/P (CLEVELOCK)	KNUT500260
32	R2755	WASHER - DOOR KEEP AF2200	JWSR340334
33	R2746	BRACKET - INFILL SECURING PANEL	RO2V340286
34	R2617	OUTER CONTROL DOOR ONLY - ENAMELLED -	RO5E340106
35	R3460	CONTROL DOOR LINING ASSEMBLY	RO4M340472
36	R2639	SEAL - CONTROL ACCESS DOOR	JMAR340257
37	R2759	BUSH - DOOR HINGE	RO4M340226
38	R2747	BRACKET - CHASSIS FIXING	RO2M340293
39	R2633	DOOR HINGE PIN	RO4M340227
ILLUSTRATION NOS AND VENT FAN			
1	A2326	FAN WFB1602 - 0152	AO4M210013
2	R3438	GASKET - VRNT FAN B/F	JGSR340524
3	R3439	VENT FAN DUCT B/F	RO4M340454

Issue date: 8/10/96  
Issue number: .00

RAYBORN 400 SERIES BAL FLUE

Page 3

RAYBORN 400 SERIES BAL FLUE

Bubble Number	Cat. No.	Description	Product Code
4	R3440	ELBOW 28MM H/F COPPER	RO4M340789
5	R3441	REMOVABLE BRACKET - FAN SHROUD B/F	RO2M340720
6	A2471	TERMINAL BLOCK - 12-WAY 500A	AE4M45669
7	A2473	SCREW M5 X 25 POZI FAN HD BRASS	KPAM52590
8	R3454	WASHER M5 SHAKEPROOF PHOS BRONZE	KWBR53611
9	A2472	NUT M5 HEX FULL BRASS	KNUT52909
10	R3455	WASHER M5 CABLE CLAMP CU.R/240004	KWRS3499
11	R3456	WASHER M5 PLAIN BRASS	KWBR53600
12	R3442	INSULATION - FAN SHROUD TOP B/F	JPAD340519
13	R3443	INSULATION - FAN SHROUD F & B B/F	JPAD340518
14	R3444	INSULATION - FAN SHROUD SIDES B/F	JPAD340517
15	R3445	INSULATION - FAN SHROUD BASE B/F	JPAD340774
16	R3446	PLATE - FAN SHROUD ASSEMBLY B/F	RO2M340775
17	R3468	FAN SHROUD ASSEMBLY - BALANCED FLUE	RO1E340440
18	R3469	FAN SHROUD - TOP & FRONT - BALANCED FLUE	RO2E340441
19	R3447	SWITCH C1400XT 10A/250VOLT BLK/GRN	RO4M340778
20	R2766	INSULATING COVER C/P	RO4M340276
21	R3028	COIL HANDLE - NEW TYPE	RO4M340522
22	R3029	CUP - COIL HANDLE - NEW TYPE	RO4M340521
23	R2555	INSULATING COVER BASE - V.R.	RO5E340274
24	R2767	PAD - COVER INSULATION	JPAD340307
25	R3457	SEAL - INSULATING COVER	JMAR340790
26	R1614	INSULATING COVER LINING PLATE	RO2E340773
27	R2349	PIVOT BEARING - FIXED	RS4M301041
28	R2451	SCREW M10 X 16MM SOCKET CN/PT GRUB	KGRB500255

Issue date: 8/10/96  
Issue number: .00

RAYBORN 400 SERIES BAL FLUE

Page 4

RAYBURN 400 SERIES BAL FLUE

Subble Number	Cat. No.	Description	Product Code
30	R2351	SCREW M10 X 10MM SOCKET CN/PT GRUB SET OF 4	RO9H500165SET4
31	R3182	ROPE 15MM X 1600MM LONG CERAMIC	JCRP140796
32	R1713	STAY BUTTON	RS4M24420
33	R2547	HOB PLATE - ONLY	ROSE0-18032-480
34	R1066	CORNER STAY NUT 3/8"	KNUTS090
35	R2744	3/8 IN CORNER STAY NUT	KNUTS1095
36	R2999	HOT PLATE & BAFFLE SUB-ASSEMBLY	RO1M340218
37	R1796	HOB FILLER ACCESS PLATE	RS5E3-15918
38	R1416	BADGE - 'OIL FIRED'	RO4M35585
39	R2743	HOT PLATE BAFFLE	RO2M340327
40	A1472	WASHER M10X28MMX1MM AF2200 FOR HANDRAIL BRACKETS	JWSR113206
41	A2314	HANDRAIL BRACKET	AGSE3-9124
42	R1723	CHROME PLATED HANDRAIL	RO4M340837
43	R3448	GASKET - HOB PROTECTOR PLATE B/F	JG8G340624
44	R3449	HOB PROTECTOR PLATE B/F	RO1M340671
45	R3450	BRACKET - COOKER PAN BOX B/F	RO2M340339
<b>TERMINAL ASST AND EXTENSION KIT</b>			
1	R3476	TERMINAL KIT - BALANCED FLUE	RO4M340733
<b>ILLUSTRATION BOILER SIDE</b>			
1	R2760	ACCESS DOOR - BAFFLES	RO2V340072
2	R2761	GASKET - ACCESS DOOR BAFFLES	JG8G340073
3	R3418	GASKET - FLUE DUCT SPACER PLATE B/F	JG8G340653
4	R3419	SEALING PLATE - FLUE DUCT B/F	RO2M340666
5	R3420	EXTENSION - TOP FLUE FEATHER B/F	RO2M340656

RAYBURN 400 SERIES BAL FLUE

Page 5

Issue date: 8/10/96  
Issue number: .00

RAYBURN 400 SERIES BAL FLUE

Subble Number	Cat. No.	Description	Product Code
6	R3418	GASKET - FLUE DUCT SPACER PLATE B/F	JG8G340653
7	R3421	GASKET - BOILER TOP FLUE FEATHER B/F	JG8G340753
8	R3422	REAR FLUE FEATHER BOILER TOP B/F	RO2M340596
9	R3423	GASKET - LH SIDE FLUE FEATHER END B/F	JG8G340754
10	R3424	LH FLUE FEATHER ASSEMBLY - BOILER TOP B/F	RO1M340594
11	R3425	FLUE FEATHER - LH FRONT B/F	RO2M340635
13	R3364	GASKET - AIR INLET DUCT B/F ONLY	JG8G340689
15	R3408	GASKET - RH FRONT FLUE FEATHER SEALING STRIPS B/F	JG8G340634
16	R3426	EXHAUST DUCT ASSEMBLY B/F	RO2V340602
17	R3427	GASKET - EXHAUST ASSEMBLY B/F	JG8G340631
18	R3428	GASKET - COVER B/F	JG8G340640
19	R3429	COVER PLATE EXHAUST ASSEMBLY B/F	RO2V340630
20	R3530	SCREW M6 X 20MM LONG HEX HEAD S/S	KHEX51431
21	R3364	GASKET - AIR INLET DUCT B/F ONLY	JG8G340689
22	R3431	REAR INLET DUCT ASSEMBLY B/F	RO1M340724
23	R3432	INSULATION - REAR INLET DUCT B/F	JPAD340741
24	R2774	CERAMIC INSULATION - COOKER FLUE	JPAD340007
25	R3361	CERAMIC INSULATION - FLUEWAY	JPAD340245
26	R2775	CERAMIC INFILL PAD - BOILER	JPAD340246
27	R3367	GASKET - INLET/BURNER DUCT C/F & B/F	JG8G340492
28	R3366	INLET DUCT BASE ASSEMBLY B/F & C/F	RO1M340484
29	R3433	GASKET - INLET DUCT FRONT B/F ONLY	JG8G340491
30	R3434	SEALING PLATE INLET DUCT B/F ONLY	RO2M340489
31	R3362	INSULATION PAD - BACK INLET DUCT	JPAD340514
32	R3368	INSULATION PAD - INLET DUCT TOP B/F & C/F	JPAD340510

RAYBURN 400 SERIES BAL FLUE

Page 6

Issue date: 8/10/96  
Issue number: .00



**RAYBURN 400 SERIES BAL FLUE**

Subble Number	Cat. No.	Description	Product Code
33	R3369	INSULATION PAD - INLET DUCT RH SIDE B/F & C/F	JPAD340513
34	R3370	INSULATION PAD - INLET DUCT BASE B/F & C/F	JPAD340511
35	R3371	INSULATION PAD - INLET DUCT LH SIDE B/F & C/F	JPAD340512
36	R3372	ROPE 6MM DIAMETER	JCRP340655
37	R2773	CERAMIC INSULATION - COOKER CHAMBER	JPAD340006
38	R3373	GASKET - COOKER/BOILER C/F & B/F	JGSG340474
39	R2777	CERAMIC INSULATION - CHAMBER FRONT	JPAD340083
40	R2621	GASKET - BURNER SUPPORT PLATE	JGSG340014
41	R2728	BURNER SUPPORT PLATE	ROEM340013
42	R3740	STUD - BURNER STRAP	KSTD340079
43	R2741	NUT M10 HEX FULL	KMUT53130
44	R3375	INSULATION PAD - TOP & BASE B/F & C/F	JPAD340506
45	R3374	INSULATION PAD - BURNER DUCT B/F & C/F	JPAD340508
46	R3376	INS PAD - BURNER DUCT B/F & C/F (BACK & LH SIDE)	JPAD340507
47	R3377	GASKET - BURNER DUCT C/F & B/F	JGSG340709
48	R3378	BOILER SUPPORT BRACKET RH C/F & B/F	RO2V340702
49	R3380	BOILER SUPPORT BRACKET LH C/F	RO2V340701
50	R3352	GROMMET - HEYCO 4.400.219B	RO4M340705
51	R3379	BURNER DUCT ASSEMBLY B/F & C/F	RO1M340480
52	R3381	TRAY - BURNER SUPPORT C/F & B/F	RO2V340476
53	R3382	GASKET - BURNER HOUSING BASE C/F & B/F	JGSG340471
54	R2776	CERAMIC INFILL PAD - BOILER	JPAD340248
55	R3383	BOILER BODY ASSEMBLY	RO2V340698
56	R2749	LEFT HAND 'T' STUD ASSEMBLY	RO1M340025
57	R3435	GASKET - BOILER TOP B/F	JGSG340622

**RAYBURN 400 SERIES BAL FLUE**

Page 7

Issue date: 8/10/96  
Issue number: .00

**RAYBURN 400 SERIES BAL FLUE**

Subble Number	Cat. No.	Description	Product Code
58	R3461	BAFFLE - BOILER - MK2	RO5M340647
59	R3436	BOILER TOP SEALING PLATE B/F	RO2M340593
60	R3437	CABLE SUPPORT TUBE	RO4M340451
<b>ILLUSTRATION OVEN SIDE</b>			
1	R3396	REAR FLUE FEATHER - MOB PROTECTOR B/F	RO2M340620
2	R3397	GASKET - RH REAR FLUE FEATHER B/F	JGSG340648
3	R3398	PIPE - VENT ASSEMBLY B/F	RO4M340694
4	R3399	GASKET - VENT FAN PIPE B/F	JGSG340411
6	R3400	VENT PIPE EXTENSION 28 O/D X 70 B/F	RO4M340777
7	R3401	RH FLUE FEATHER B/F	RO2M340584
8	R3402	GASKET - RH FLUE FEATHER B/F	JGSG340579
9	R3403	RH 'T' STUD ASSEMBLY B/F	RO1M340569
10	R3404	GASKET - RH FLUE FEATHER C/F & B/F	JGSG340577
11	R3405	VENT FAN PIPE ASSEMBLY B/F	RO4M340453
12	A2321	GASKET MOUNTING	AG4M210079
13	R3406	FRONT RH FLUE FEATHER B/F	RO2M340659
14	R3407	GASKET - RH FRONT FLUE FEATHER ENDS B/F	JGSG340665
15	R3408	GASKET - RH FRONT FLUE FEATHER SEALING STRIPS B/F	JGSG340634
16	R3409	GASKET - TOP OVEN TOP B/F	JGSG340573
17	R3410	TOP PLATE - TOP OVEN B/F	RO5M340708
18	R3411	LAGGING ROPE 10MM DIA X 750MM B/F	JCRP340314
19	A2394	TUBE PAPER 1/4" X 1/2" X 1"	AO4M48060
20	R3462	CLIP 8 MM	FG4M420484
21	R3325	GASKET - TOP OVEN RH SIDE C/F & B/F	JGSG340557

**RAYBURN 400 SERIES BAL FLUE**

Page 8

Issue date: 8/10/96  
Issue number: .00

RAYBURN 400 SERIES BAL FLUE

Subbie Number	Cat. No.	Description	Product Code
22	R3326	GASKET - RH DUCT SIDE C/F & B/F	JG8G340668
23	R3327	GASKET - RH DUCT TOP & BOTTOM C/F & B/F	JG8G340667
24	R3330	GASKET - RH DUCT BOTTOM C/F & B/F	JG8G340669
25	R3328	GASKET - RH DUCT (SMALL) C/F & B/F	JG8G340670
26	R2736	RH DUCT	RO5M340132
27	R2793	TOP OVEN SIDE FIXING BRACKET	RS2M93013
28	R3329	RH SIDE - TOP OVEN C/F & B/F	RO5M340537
29	R2605	GASKET - ACCESS DOOR TOP OVEN	JG8G340260
30	R2604	ACCESS DOOR - TO RH SIDE	RO5M340259
31	R2791	ACCESS DOOR - TOP OVEN BASE	RO5M340261
32	R2770	GASKET - ACCESS DOOR TOP OVEN BASE	JG8G340262
33	R1913	TOP OVEN BACKPLATE	RO5M340460
34	R1916	OVEN SIDE -REMOVABLE-	RS508-RH
35	R3348	TOP OVEN BASE PLATE	RO5M340539
36	R2788	VENT PIPE - SIMMERING OVEN TO TOP OVEN	RO4M340310
37	R3346	GASKET - LH FLUE FEATHER C/F & B/F	JG8G340555
38	R3347	FLUE FEATHER LH SIDE C/F & B/F	RO5M340532
39	R3344	GASKET - RH FLUE FEATHER C/F & B/F	JG8G340554
40	R2785	SIMMERING OVEN BACK PLATE C/F & B/F	RO5M340533
41	R3343	SIMMERING OVEN TOP PLATE C/F & B/F	RO5M340541
42	R3345	INSULATION - SIMMERING OVEN SHIELD C/F & B/F	JPAD340159
43	R2580	FLUEWAY BAFFLE ASSEMBLY C/F & B/F	RO1M340252
44	R2787	BRACKET - SIMM. OVEN RETAINING C/F & B/F	RO2M313010
45	R3331	GASKET - RH FLUE FEATHER LONG C/F & B/F	JG8G340551
46	R3332	FLUE FEATHER RH SIDE C/F & B/F	RO5M340535

RAYBURN 400 SERIES BAL FLUE

Page 9

Issue date: 8/10/96  
Issue number: .00

RAYBURN 400 SERIES BAL FLUE

Subbie Number	Cat. No.	Description	Product Code
47	R3333	SIMMERING OVEN RH SIDE C/F & B/F	RO5M340530
48	R3334	GASKET - SIMMERING OVEN C/F & B/F	JG8G340542
49	R2789	VENT PIPE - SIMMERING OVEN TO INLET DUCT	RO4M340311
50	R2794	OVEN RETAINING BRACKET C/F & B/F	RS2M301068
51	R2412	SIMM. OVEN INS FRAME ASSY C/F & B/F	RO3M310015
52	R3011	BRACKET - FRONT PLATE FIXING	RO2M340467
53	R3412	BRACKET - SIMMERING OVEN SUPPORT	RO2V340750
54	R2573	OVEN GRID SHELF ALL MODELS	RS4M300070
55	R1618	PLAIN OVEN SHELF ALL MODELS	RO2M340757
56	R1004	MEAT TRAY	EMTY47744
57	R2540	SIMMERING OVEN REMOVABLE LH SIDE C/F & B/F	RO5M310005
58	R3337	SIMMERING OVEN LH SIDE C/F & B/F	RO5M340526
59	R3340	GASKET - TOP OVEN LH SIDE C/F & B/F	JG8G340556
60	R2795	BRACKET - LH TOP OVEN SUPPORT C/F & B/F	RO2M340341
61	R2771	INSULATION - SIMMERING OVEN LH SIDE C/F & B/F	JPAD340207
62	A1904	NO4 T/SEAL OVEN DOOR-AGA & FIREBOX SIDE-RAYBURN	JTHR20389X47IN
63	R3464	FIREBOX SIDEPLATE - BOTTOM	RO5M340780
64	R3413	GASKET - FIREBOX SIDE B/F	JG8G340784
65	R3465	FIREBOX SIDEPLATE - TOP	RO5M340782
66	R2710	BLANKING PLATE	RO2M94007
67	R3414	GASKET - FIREBOX SIDE 9MM B/F	JG8G340783
68	R3080	ROPE LAGGING TYPE C/F 10 X 780MM-HOB FILLER PLATE	JCRP340313
69	R2730	INSERT - FIREBOX SIDE (CHROME IRON)	RO4M340118
70	R2591	GRILL RACK - RAYBURN	RS4M311164

RAYBURN 400 SERIES BAL FLUE

Page 10

Issue date: 8/10/96  
Issue number: .00