

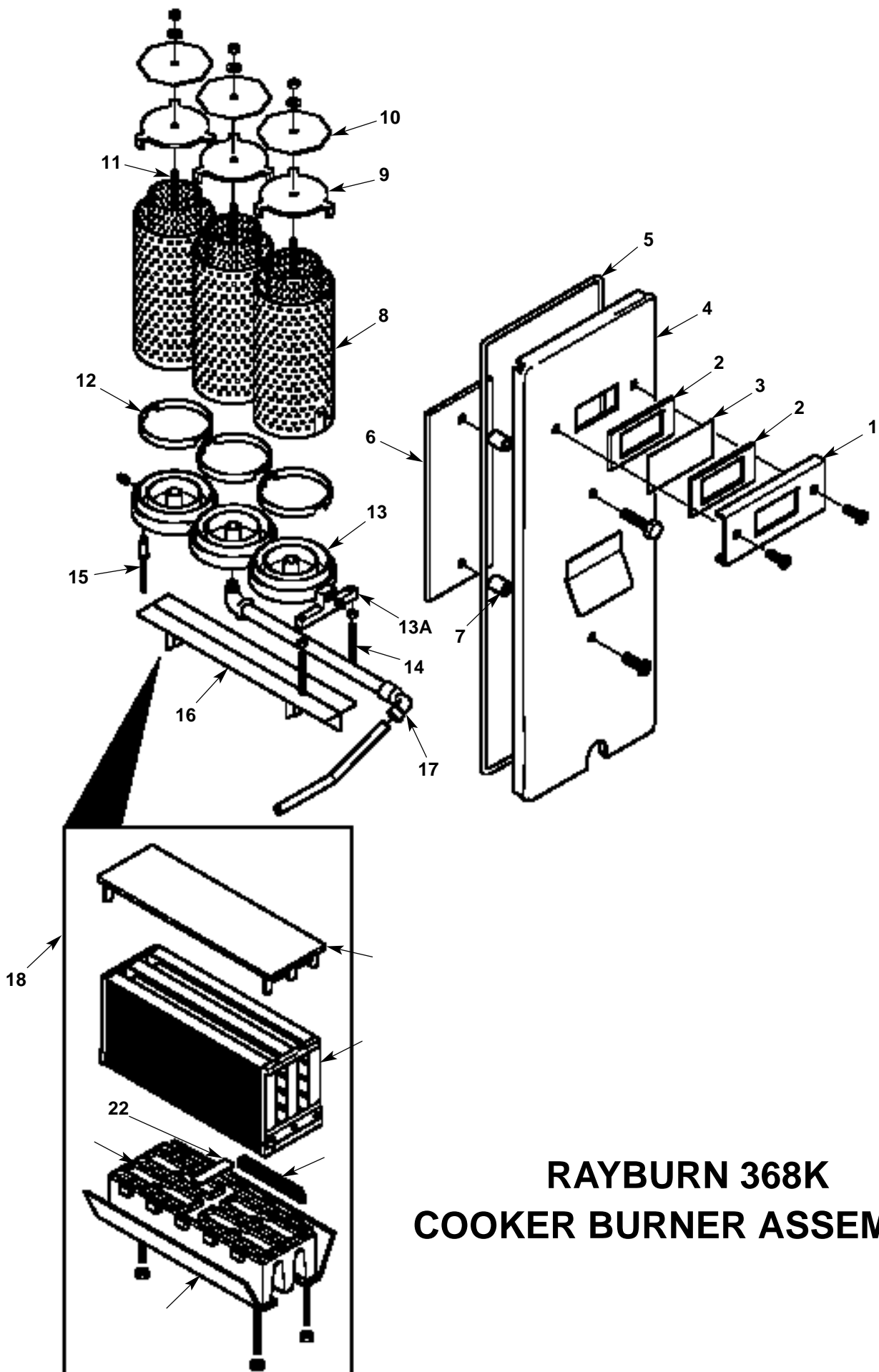
RAYBURN 368K COOKER

SPARE PARTS MANUAL

RAYBURN 368K - FROM OCTOBER 1989
COOKER BURNER ASSEMBLY

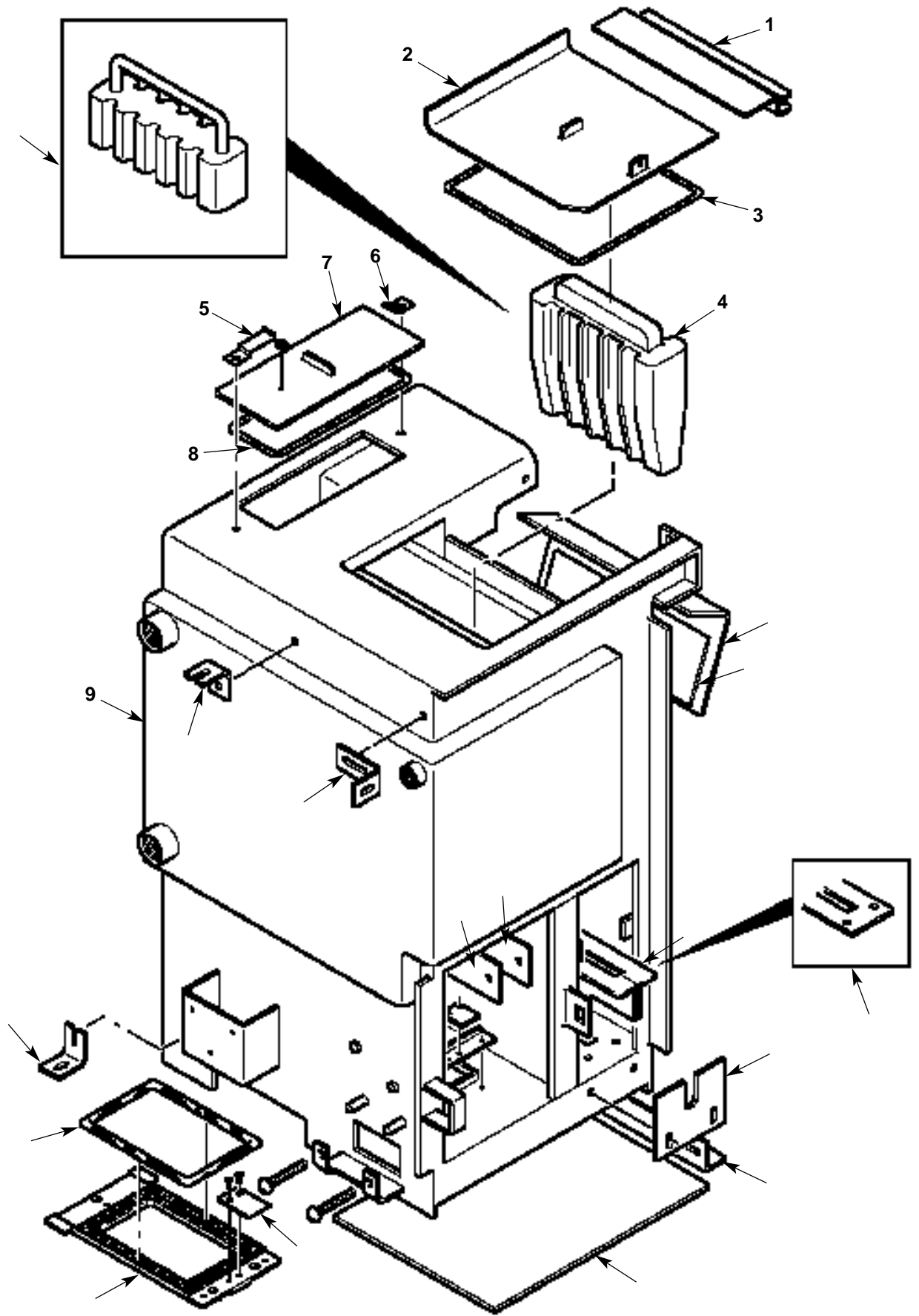
NOVEMBER 2007

ITEM No.	CAT No.	DESCRIPTION	PRODUCT CODE
1	G1094	SIGHT GLASS FIXING BRACKET	AG2M210019
2	A2204	SIGHT GLASS GASKET	AG4M210011
3	A1236	SIGHT GLASS	AG4M30840
4	R5217	BURNER DOOR ASSY	RO1M320218
		COOKER BURNER DOOR ASSY - INCLUDING	RO1M320220
		ITEMS 01, 02, 03, 04, 05, 06 & 07	
4A	R1536	INNER BURNER DOOR - CKR SIDE COMPLETE	RO9M28355COMP
5		T/SEAL No. 3F	JTHR20438
6		COOKER BURNER DOOR BAFFLE	RO2V91880
7	A2331	BAFFLE DISTANCE PIECE	AS4M28060
8	R3075	BURNER SHELL SET	RO4M320186
9	R6457	TOP PLATE BURNER	RO4M320180
10	R6450	TOP BURNER DISK	RO2M320204
11		SHELL STAY ROD M6 x 191	RO4M320189
12	R3731	WICK	RO4M320187
13	R5417	BURNER BASE	RO4M320167
13A	R6458	SUPPORT BAR FOR BURNER BASE	RO4M320184
14	R6408	ALLTHREAD M6 x 65	KSTD52808
15	R6459	ADJUSTMENT LEG	RO4M320190
16	R6436	AIR DISTRIBUTION BAFFLE	RO1M320194
17	R4199	CARBON LEG ASSY	RO9M320191
18		BURNER ASSEMBLY UP TO M94-130	
19	R1381	COOKER BURNER BASE C/W LEGS	RO4M24111
20	R2280	BURNER REFLECTOR SHIELD	RO2M91985
21	R1455	WICK SET	RO4M49503
22	R1415	BASE SEALING PLATE (VAPOUR SEALING PLATE)	RO4M34775
23	R1382	SHELL SET - MK 1	RO4M24112
24	R1374	COOKER BURNER HEAD BAFFLE	RO4M23387



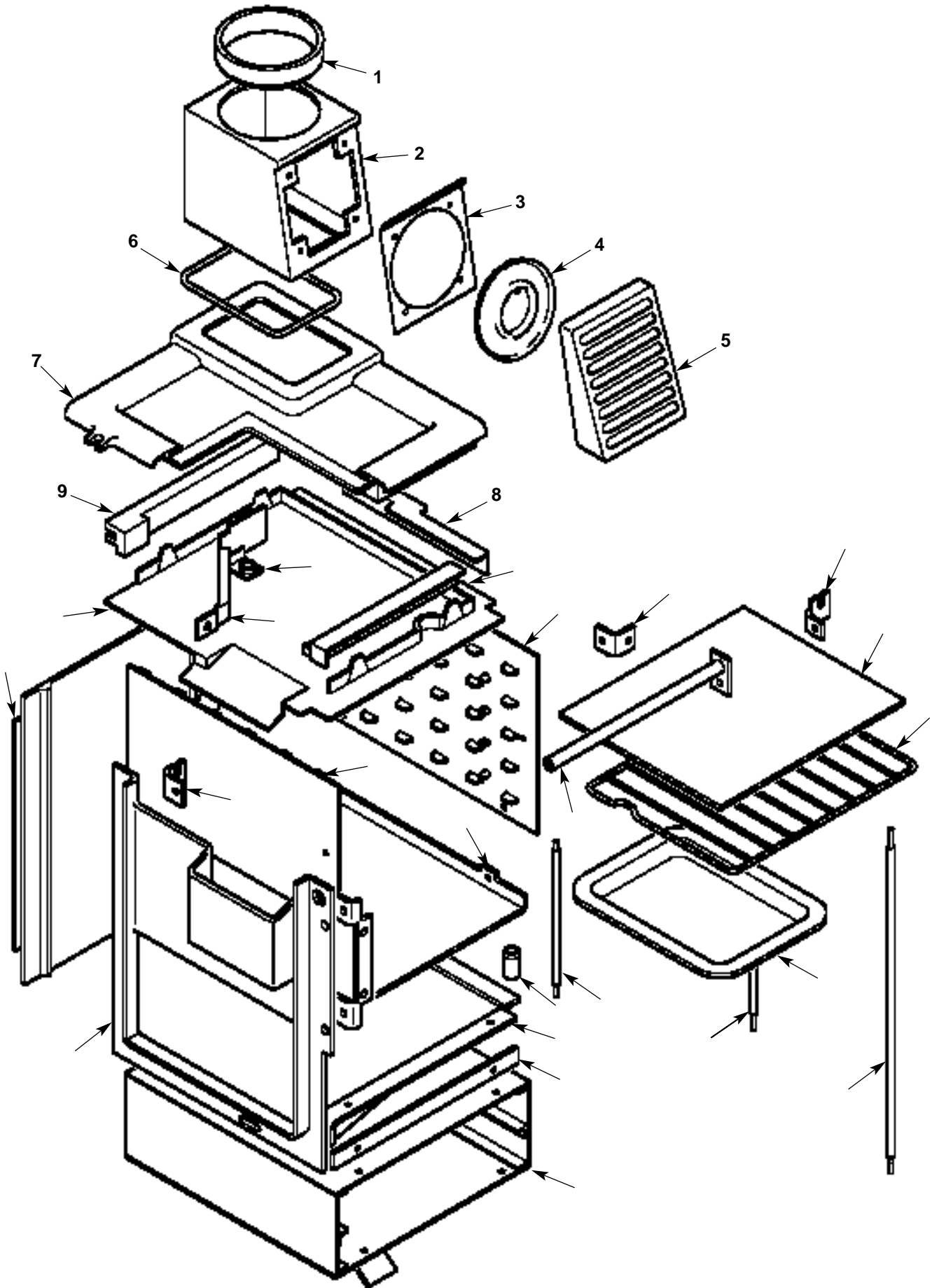
**RAYBURN 368K
 COOKER BURNER ASSEMBLY**

ITEM No.	CAT No.	DESCRIPTION	PRODUCT CODE
1		HOT PLATE BAFFLE SEALING PLATE	RO2M320082
2	R2620	FLUE SEPARATOR BAFFLE	RO2V320105
3	R2169	CERAMIC ROPE 10mm x 1000	JCRP20249
4	R1364	CERAMIC FLUEWAY INSERT	RO4F320001
4A		CERAMIC FLUEWAY INSERT - REPLACED BY ITEM 04 - M91-037	
5	R2414	CLEANING DOOR CATCH	RO2M93060
6	R1094	LOCATING BRACKET - CLEANING DOOR	RG2M91244
7	R3031	BOILER CLEANING PLATE	RO2V340412
8	R4793	ROPE 7mm DIA x 1200mm LG	JTHR20390X1.2M
9	R2657	BOILER BODY	RO2V320147
10		STAY ROD LOCATING BRACKET	RO2M320077
11	R2953	FIREBOX SIDE FIXING BRACKET	RS5M301092
12	R1485	BOILER WATERWAY BAFFLE PLATE	RO5M3-18531
13	R2559	BOILER WATERWAY INSULATION	RG4M33400
14	R1347	BOILER LH FIXING BRACKET	RO2M320209
15	R1344	DIVIDER BAFFLE PLATE	RO2M92000
16	R1026	DIVIDER INSULATION	JPAD37285
17	R1336	PRIMARY AIR RESTRICTOR PLATE	RO2M320022
17A		PRIMARY AIR ADJUSTING FLAP - REPLACED BY ITEM 17 - MOD M91-053	
18	R1343	COOKER BURNER DOOR SEALING PLATE	RO2M91955
19	R2716	BOILER RH FIXING BRACKET	RO2M91830
20		BASE PLATE FILLER PLATE - USED UP TO MOD M94-076	
21		ROPE 13mm DIA x 560mm LG	JTHR20389
22	R1483	WINDBOX SEALING FRAME	RO5M1-19035
23	R1486	WINDBOX LOCATING BRACKET	RO5M4-19214



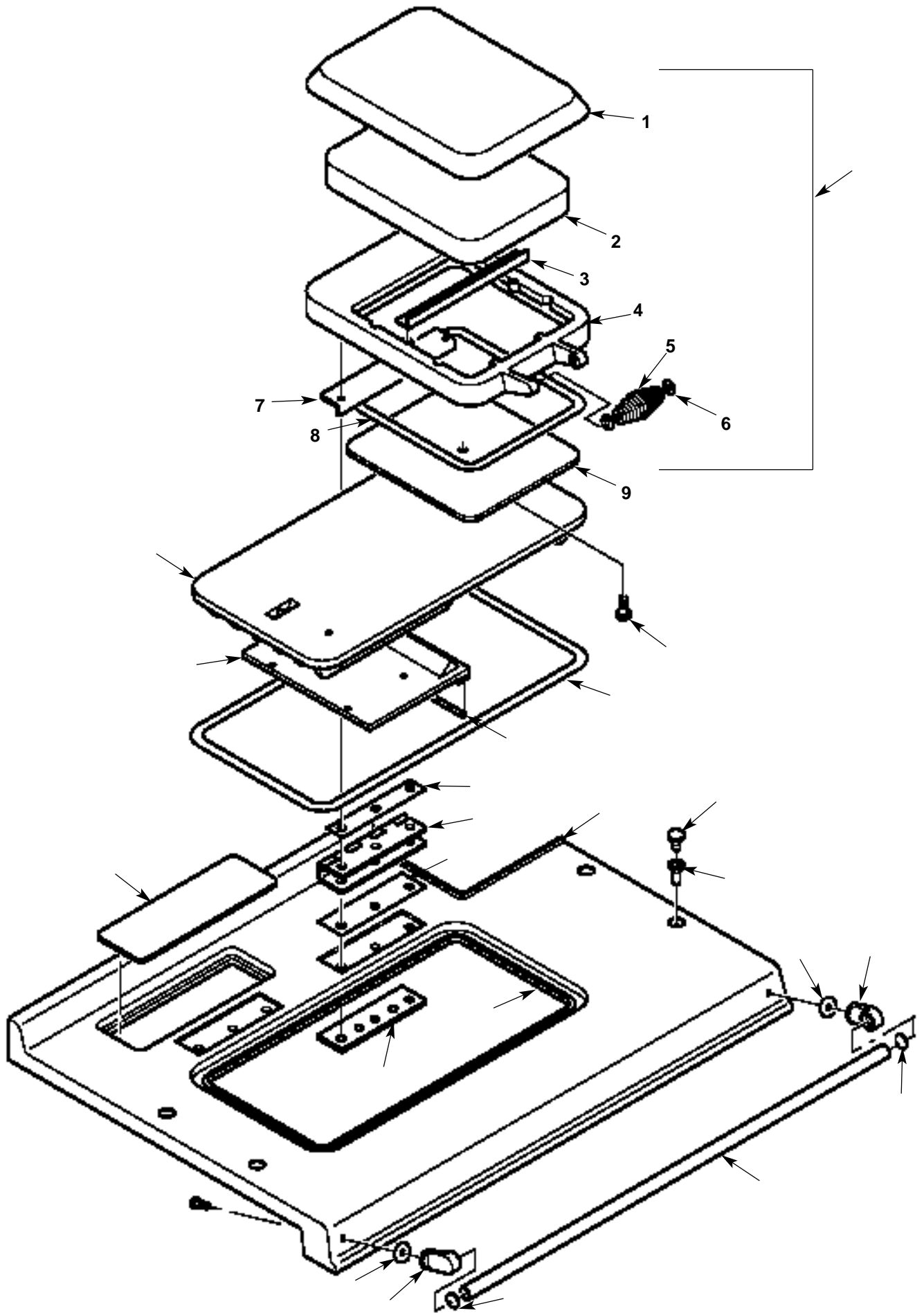
RAYBURN 368K - BOILER BODY/BURNER HOUSING

ITEM No.	CAT No.	DESCRIPTION	PRODUCT CODE
1	R1612	FLUE SOCKET CHAMBER	RS2E42676
2	R5008	FLUE CHAMBER	RO1E91167
2A		FLUE CHAMBER ASSY COMPLETE (INCLS ITEMS 1, 2, 3, 4 & 5)	RO1M320273
3	R2987	DRAUGHT STABILISER FIXING ADAPTOR	RO2V320080
4	R1401	FLUE DRAUGHT STABILISER	RO4M320210
5		FLUE CHAMBER DOOR	RO2V320081
6		ROPE 15mm x 630mm	JTHR20444
7	R1805	HOB PLATE PROTECTOR PLATE	RS5M0-17822
8	R2572	OVEN TOP RH FLUE PLATE	RG5M3-16199
9	R1812	OVEN TOP BACK FLUE PLATE	RS5M1-16193
10	R4890	FLUE DIVIDER PLATE ASSEMBLY	RO1M320002
11		REDUCING BUSH 3/4" M x 1/2" F BSP	RO4M24363
12	R2872	TOP OVEN TOP PLATE	RG5M0-16198
13	R2959	OVEN TOP FRONT FLUE PLATE	RG1V91740
14	R1915	TOP OVEN RH FIXED SIDE PLATE	RS507-RH
15	R3853	TOP OVEN BACK PLATE	RO5M342081
16	R2713	T/STAT PHIAL LOCATION REAR BRACKET	RG1M311001
17	R4128	TOP OVEN LH REMOVABLE SIDE PLATE	RG5M341249
18	R2597	TOP OVEN BOTTOM PLATE	RS5O300015
19		FIREBOX SIDE PLATE	RO5M320066
20	R2819	OVEN REFLECTOR DUCT	RG1M310012
21	R2794	OVEN RETAINING BRACKET	RS2M301068
22	R4002	WARMING OVEN	RS1M301117
23		T/STAT PHIAL GUIDE	RG1M313136
24	R2793	TOP OVEN RETAINING BRACKET	RS2M93013
25	R2963	T/STAT PHIAL FRONT BRACKET	RG2M93014
26	R1618	OVEN SHELF	RO2M340757
27	R2573	OVEN GRID SHELF	RS4M300070
28	R1760	CORNER STAY ROD	RS4M44080
29	R4061	MEAT TIN	EMTY530219
30	R1761	OVEN STAY ROD	RS4M44111
31	R2701	WARMING OVEN VENT PIPE	RS2M91495



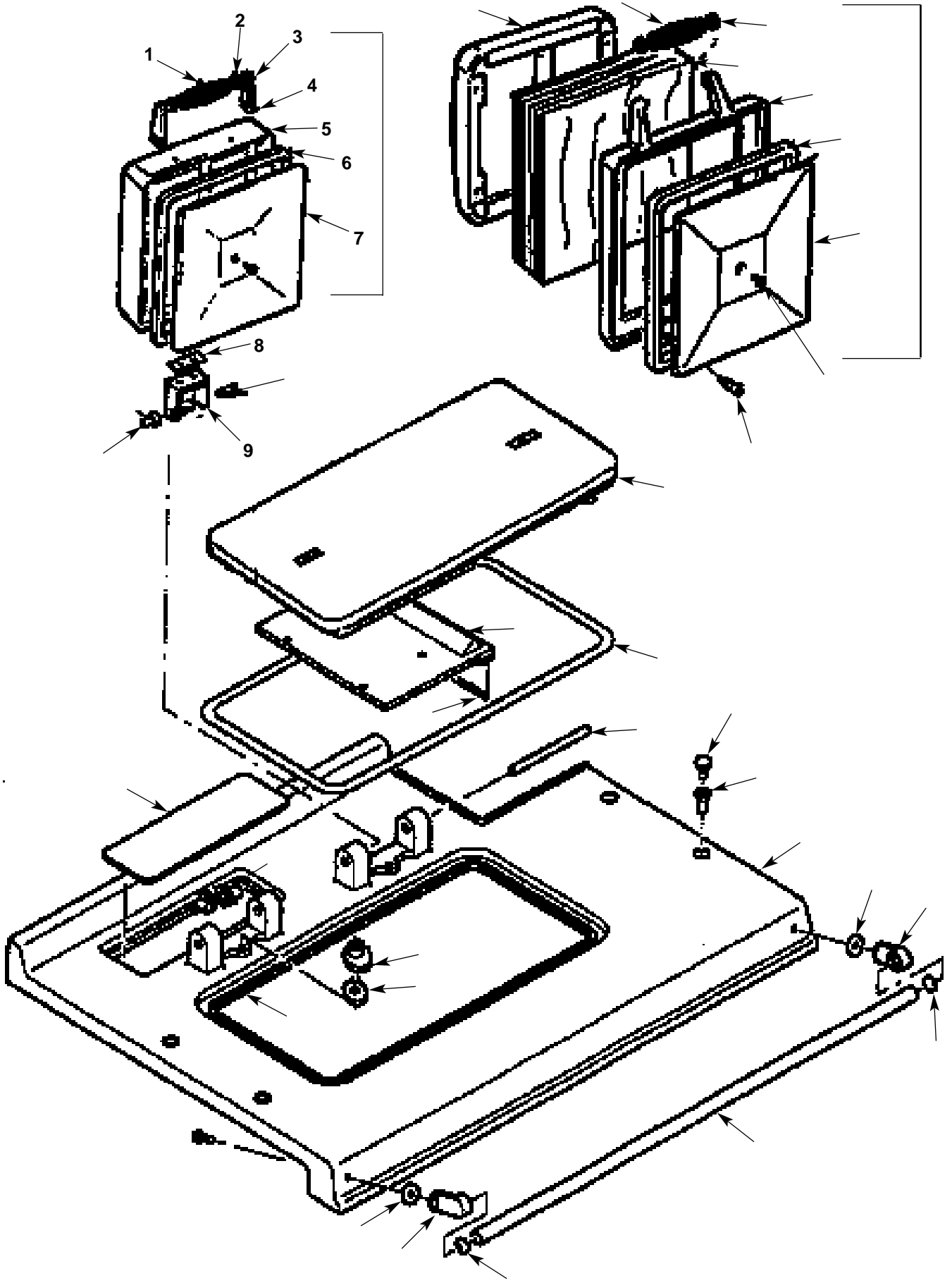
**RAYBURN 368K - TOP OVEN/WARMING OVEN/FLUE
CHAMBER/HOB PROTECTOR PLATE**

ITEM No.	CAT No.	DESCRIPTION	PRODUCT CODE
1	R4566	INSULATING COVER	RO2M342347
2	R2767	INSULATING PAD	JPAD340307
3		INSULATING COVER LINER FIXING BRKT	RO2M342362
4	R4565	INSULATING COVER BASE	RO5E342348
5	R3028	HANDLE	RO4M340522
6	R4863	INSULATING COVER HAND CUP (4-OFF)	RO4M340521SET4
7	R4564	HINGE COVER	RO2M342387
8	R3457	INSULATING LID SEAL	JMAR340790
9	R1614	INSULATING LID LINER	RO2E340773
10		SCREW C/NSK RD HD 1/42" x 1 13/16" POZI	KRCK50372
10A	R4567	INSULATING COVER ASSEMBLY	RG1M313527
11	R1248	HOT PLATE	RO5M321320
12		ROPE TH No. 4 13mm x 16mm LG	JTHR20389
13		ROPE TH No. 4 13mm x 230mm LG	JTHR20389
14	R1482	HOTPLATE BAFFLE	RO5M1-18867
15	R4980	HINGE GASKET TOP	JGSG342404
16	R4563	HINGE LID (PLATED)	RO4M342364
17	R4562	HINGE GASKET	JGSG342369
18	R4646	HOB PLATE	RO5E342371
19	R1713	CORNER STAY BUTTON	RS4M24420
20	R1066	CORNER STAY NUT	KNUT53090
21	A1472	HANDRAIL BRACKET WASHER	JWSR313206
22	A2314	HANDRAIL BRACKET	AG4M210853
23	A2975	END CAP	AG4M210660
24	R1723	HANDRAIL	RO4M340837
25	R1786	HOB PLATE FILLER PLATE	RS5E3-15918
26		TAPPING PLATE	RO2M342370
27		ROPE TH No. 4 13mm x 1600	JTHR20389



RAYBURN 368K -HOB, INSULATING COVERS AND TOP

ITEM No.	CAT No.	DESCRIPTION	PRODUCT CODE
1	R2176	COIL HANDLE	RG4M310136
2	R4863	DOME WASHER - SET 4	RO9M340521SET4
3	R1711	BRACKET FOR INSULATING COVER HANDLE	RS4M23090
4		GASKET	
5	R4593	INSULATING COVER	RG4M33411
6		DOME SEAL	JMAR20554
7	R1614	INSULATING COVER LINING PLATE	RO2E340773
07A	R2124	INSULATING COVER COMPLETE - ALTERNATIVE SPINDLE - (UP TO M92-006)	RS9M91265COMP
	R2427	INSULATING COVER COMPLETE - (UP TO M96-001)	RG9M33411COMP
8	R2691		RS4M30765
9	R2379	HINGE COVER GASKET	RG4M311077
	R2343	HINGE	RS4M31963
10	R2351	HINGE (ALTERNATIVE SPINDLE)	RG9M500165SET4
	R2055	GRUB SCREW (SET OF 4)	KCLP26201
11	R2352	CIRCLIP (ALTERNATIVE SPINDLE)	RS9M301041SET2
	A1651	FIXED PIVOT	AS4M42886
12	R2766	HINGE SPINDLE (ALTERNATIVE SPINDLE)	RO4M340276
13	R3028	INSULATING COVER TOP ASSY	RO4M340522
14	R4863	INSULATING LID HANDLE	RO4M340521SET4
15	R2767	CUP - COIL HANDLE - SET 4	JPAD340307
16	R3555	PAD - COVER INSULATION	RO5E340274
17	R3457	INSULATING COVER BASE	JMAR340790
18	R1614	SEAL - INSULATING COVER	RO2E340773
18A	R2574	INSULATING COVER LINING PLATE	RO1M340315-SPIN
	R3652	INSULATION ASSY (SPINDLE) - FROM M96-001	RO1M340315-GRUB
19	R1248		RO5M321320
20		INSULATION ASSY (GRUB)	JTHR20389
21		HOT PLATE	JTHR20389
22	R1482	T/SEAL No. 4 13 x 1600mm	RO5M1-18867
23	R3908	T/SEAL ROPE 13 x 230	RO4M340786
24	R2547	HOTPLATE BAFFLE	RO5E0-18032-480
		HINGE SPINDLE	
	R3365	HOB PLATE (FOR COOKERS WITH GRUB SCREW HINGES)	RO5E0-18032SPIN
		HOB PLATE (FOR COOKERS WITH SPINDLE TYPE HINGES)	
		(FOR ADDITIONAL INFORMATION REFER TO TECHNICAL REVIEW JULY 1998 - SECTION 1 - ALL COOKERS)	
25	R1713		RS4M24420
26	R1066		KNUT53090
27	A1472	CORNER STAY BUTTON	JWSR313206
28	A2314	CORNER STAY NUT	AG4M210853
29	A2975	HANDRAIL BRACKET WASHER	AG4M210660
30	R1723	HANDRAIL BRACKET	RO4M340837
31	R1786	END CAP	RS5E3-15918
32	R2759	HANDRAIL	RO4M340226
33	R3909	HOB PLATE FILLER PLATE	RO4M341029
34	R3826	BUSH - INSULATING COVER HINGE	JWSR341051
35		LID ADJUSTMENT - CAM	JTHR20389
36		WASHER LID - CAM	KRCK50372

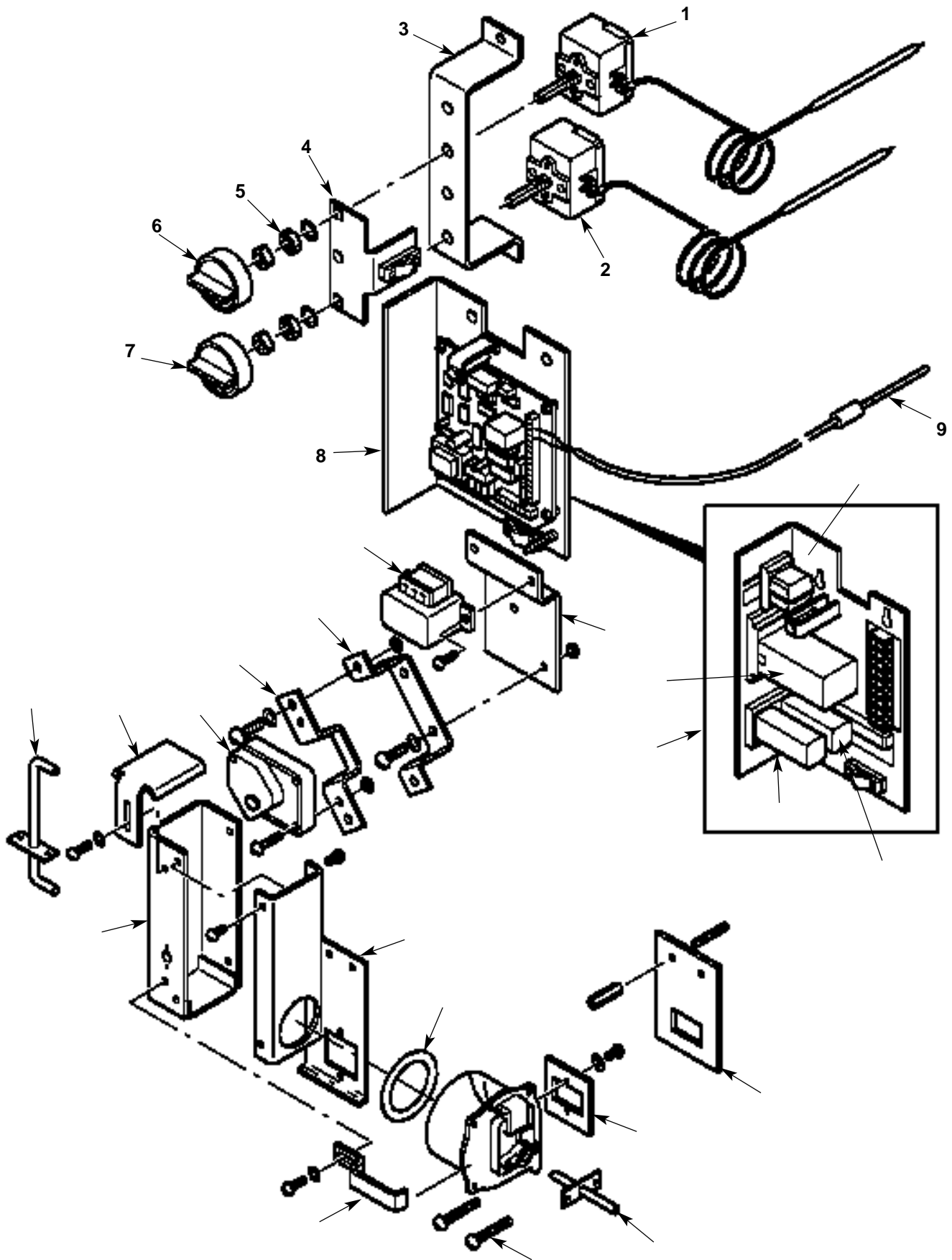


RAYBURN 368K -HOB, INSULATING COVERS AND TOP PLATE - UP TO MARCH 2000

RAYBURN 368K - FROM OCTOBER 1989
ELECTRICAL CONTROLS

NOVEMBER 2007

ITEM No.	CAT No.	DESCRIPTION	PRODUCT CODE
1	A1519	COOKER THERMOSTAT	AO4T46350
2	R1237	BOILER THERMOSTAT	RG4T46825
3		T/STAT MOUNTING BRACKET	RO2M93049
4		CABLE CLAMP BRACKET	RO2M91935
5	R1047	T/STAT CONTROL KNOB CLIP	KCLP26296
6	R2556	COOKER STAT CONTROL KNOB	RO4M320164
7	R1187	BOILER STAT CONTROL KNOB	RG4M34144
8	R3068	CONTROLLER ASSEMBLY	RO4M320076
8A		SEQUENTIAL CONTROL BOX (REPLACED BY ITEM 08 - MOD M93-091 FOLLOWING SPARES - STILL AVAILABLE	
8B	R1445	1 MIN TIMER RELAY	RO4M47285
8C	R1446	3.5 MIN TIMER RELAY	RO4M47286
8D	R1430	HAWCO RELAY	RO4M40720
8E	R1431	RELAY 4-POLE MINATURE	RO4M40732
9	R1444	FLAME SENSOR THERMOCOUPLE	RO4M46111
	R1443	THERMOCOUPLE - PRE OCT 1989	RO4M46110
10	R4879	TRANSFORMER MOUNTING BRACKET	RO2M91925
11	R1447	TRANSFORMER 240V - 1.8V 40 AMP	RO4M47815
12		PRESSURE SWITCH SUPPORT BRACKET	RO1M91950
13	R1342	AIR PRESSURE SWITCH MOUNTING	RO2M91920
14	R1549	BRACKET	RO9M44997COMP
15	R1336	AIR PRESSURE SWITCH CONE (INCLUDES ITEM	RO2M320022
16	R2635	13)	RO2M91960
17	R5525	PRIMARY AIR ADJUSTING FLAP	RO1M93094
18	R5526	FAN DUCT	RO2M91965
19	R1399	FAN MOUNTING ADAPTOR	RO4M29171
20	R1015	FAN SECURING BRACKET	JGSG30515
21	R1014	AIR FLOW FAN ASSY	JGSG30514
22	R3657	FAN GASKET	RO4M20138
23	R3658	FAN MOUNTING ADAPTOR GASKET	RO4M20139
24	R2324	FAN PRESSURE SENSING ADAPTOR AIR DUCT PRESSURE SENSING ADAPTOR GASKET FAN INLET	JGSG30516

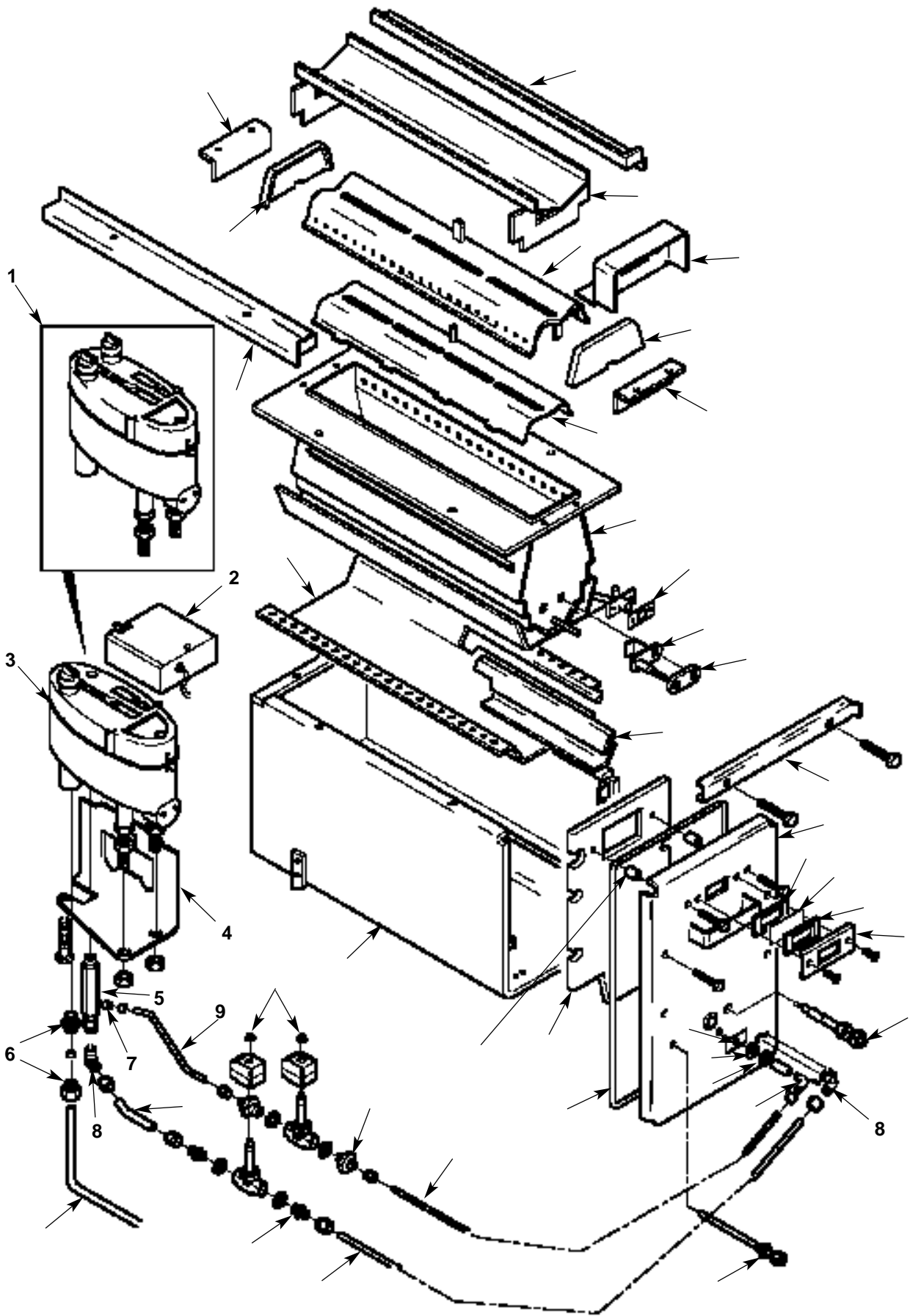


RAYBURN 368K

RAYBURN 368K - FROM OCTOBER 1989
BOILER BURNER ASSEMBLY

SEPTEMBER 2000

ITEM No.	CAT No.	DESCRIPTION	PRODUCT CODE
1		OIL CONTROL VALVE - UP TO M94-122	
2	R2549	FLEXITEMP CONTROL	RO4M320163
3	R2570	OIL CONTROL V/V ASSY (INCLUDING ITEM 2)	RO4M320161
	R2568	OIL CONTROL V/V	RO4M320162
4	R1509	CONTROL V/V SUPPORT BRACKET	RO5V760
5	R2174	BOILER BURNER VERTICAL MANIFOLD	RO4M320023
6		1/4 x 8mm COUPLING	RO4M27541
7	R2387	STUD COUPLING 1/8 - 6mm	RG4M27487
8	R1396	10mm COMPRESSION ELBOW	RO4M27545
9	R2394	BOILER PILOT LINK PIPE	RO2M320016
10	R4874	BOILER BURNER LINK PIPE	RO2M320017
11	R2275	COOKER BURNER OIL FEED PIPE	RO2M320020
12	R2422	SOLENOID PLUG AND CABLES ASSY	RO9M320021COMP
13	R2395	1/4 x 6mm COUPLING	RO4M27547
14		1/4 x 10mm COUPLING	RO4M27546
15	R2273	BOILER BURNER SUPPLY PIPE	RO2M320019
16	R2274	BOILER BURNER PILOT TUBE	RO2M320018
17	R1449	WINDBOX PRESSURE TUBE	RO4M48470
18	R1394	6mm COMPRESSION ELBOW	RO4M27543
19		RATCHETT PLATE	AG4M38851
20		ROPE No. 2 x 35mm	JTHR20418
21	R1016	GASKET - BURNER PIPE SEALING	JGSG30517
22	R1403	GLOCOIL	RO4M30916
22A	R1406	PRE OCT 1998 - IGNITION ELEMENT 240V	RO4M32449
22B	R2165	PRE OCT 1998 - IGNITION ELEMENT 220V	RO4M32448
22C	R1452	(IRELAND)	RO4M49499
23	G1094	WICK FOR ITEM 22A & 22B	AG2M210019
24	A2204	BRACKET - SIGHT GLASS FIXING	AG4M210011
25	A1236	BRACKET SIGHT GLASS	AG4M30840
26	R2447	SIGHT GLASS	RO2V320150
27		WINDBOX FRONT PLATE ASSEMBLY	RO2V91900
28	R1040	BURNER BOX FIXING TIE	JTHR20392
29	R3221	No. 5A T/SEAL 15mm	RO4M42794
30	R1027	BURNER FRONT PLATE SPACER (SET OF 2)	JPAD37339
31	R1016	BURNER FRONT PLATE INSULATION PAD	JGSG30517
32	R3222	GASKET GLOCOIL T/COUPLE	RO1M320200
32A	R1456	GLOCOIL T/C FIXING BRACKET	RO4M49504
33	R2247	IGNITION WICK (STAPLED TO ITEM 32)	JGSG30513
		BURNER PIPE SECTION GASKET	
34	R1531		RO9M24101COMP
	R1380	BOILER BURNER ASSEMBLY	RO4M24101
35		BOILER BURNER (INNER ASSY ONLY)	RO2M93035
36	R1367	BOILER BURNER FIXING BRKT (2-OFF)	RO4M21525
37	R1366	BOTTOM BURNER BAFFLE	RO4M21524
38	R1333	TOP BURNER BAFFLE	RO1M320006
39	A1346	BURNER BAFFLE	RO2M93050
40	R2156	BURNER FRONT PLATE	RO2M320058
41	R2157	BRACKET - BLR BRNR FRONT PROTECTION	RO2M320059
42	R1368	BRACKET - BLR BRNR REAR PROTECTION	RO4M21526
43	R3663	END CAPS	RO2M93020
44		AIR DISTRIBUTION PLATE	RO1M320069
45	R3208	SEALING PLATE BURNER	RO1M93074
	R1332	BURNER WINDBOX	RONUFCONVMK2

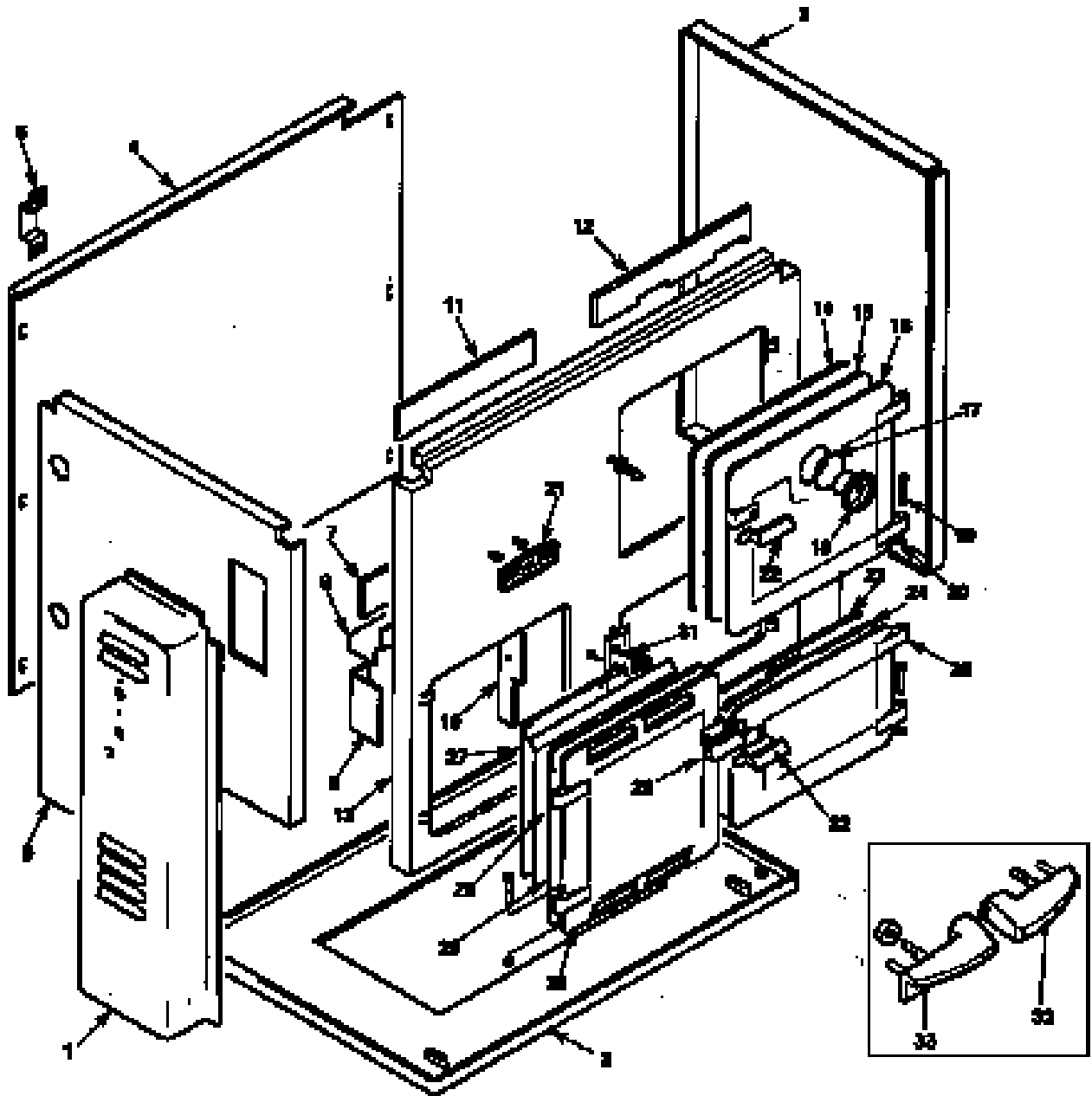


**RAYBURN 368K
BOILER BURNER ASSEMBLY**

RAYBURN 368K - FROM OCTOBER 1989
FRONT PLATE/DOORS/SIDE PANELS/BASEPLATE

NOVEMBER 2002

ITEM No.	CAT No.	DESCRIPTION	PRODUCT CODE
1		CONTROL COVER	RO2M320014
2	R2479	BASE PLATE (BASE PLATE APERTURES FILLED IN MOD M94-076)	RG5M313072
3	R1635	RH SIDE PLATE	RS2V91310
4	R1634	BACK PLATE	RS2M301125
5	R2722	COOKER DISTANCE BRACKET	RG2M90781
6	R1354	LH SIDE PLATE	RO2V320083
7	R2248	LOWER HEAT SHIELD	JPAD301228
8		BURNER HOUSING TOP PANEL	RO1M91870
9		BURNER HOUSING LH SIDE PANEL	RO2M320172
10		BURNER HOUSING RH SIDE PANEL	RO2M91850
11	R2867	TOP HEAT SHIELD BOILER	JPAD41777
12	R1021	TOP HEAT SHIELD OVEN	JPAD30770
13		FRONT PLATE	RO5E320174
14	R2985	TOP OVEN DOOR LINING PANEL	RG2M313325
15	R2986	INSULATION PAD	JPAD340465
16	R2619	TOP OVEN DOOR	RO5E340138
17	R1147	THERMODIAL SEALING RING	RG4M30412
18	R2493	THERMODIAL	RG4T313219
19	R2633	DOOR HINGE PIN	RO4M340227
20	R2759	DOOR HINGE BUSH	RO4M340226
21	R4912	NAME BADGE -RAYBURN	RG4M313791
22	R2636	DOOR CATCH ASSY - OVEN DOORS	R09M340181COMP
23	R2974	BOTTOM OVEN DOOR LINING PANEL	RG2M313313
24	R2975	INSULATION PAD	JPAD340466
25	R2614	BOTTOM OVEN DOOR	RO5E340137
26	R2800	DOOR CATCH ASSEMBLY BURNER DOORS	R09M340278COMP
27	R2440	DATA PLAQUE	RO4M320067
28		BURNER DOOR LINING PANEL	RO2M320175
29	R2979	BURNER DOOR SEAL	JMAR321272
30	R3098	OUTER BURNER DOOR	RO5E320171
31	R2679	DOOR KEEP C/W WASHER	RO9M340185COMP
32	R4872	RH DOOR HANDLE - FROM M01-133 A	RO4M341350
	R4871	RH DOOR CATCH ASSY - FROM M01-133A	RO9M998715COMP
33	R4873	LH DOOR HANDLE - FROM M01-133A	RO4M341352
	R4870	LH DOOR CATCH ASSY - FROM M01-133A	RO9M998714COMP



RAYBURN 368K
FRONT PLATE/DOORS/SIDE PANELS/BASEPLATE