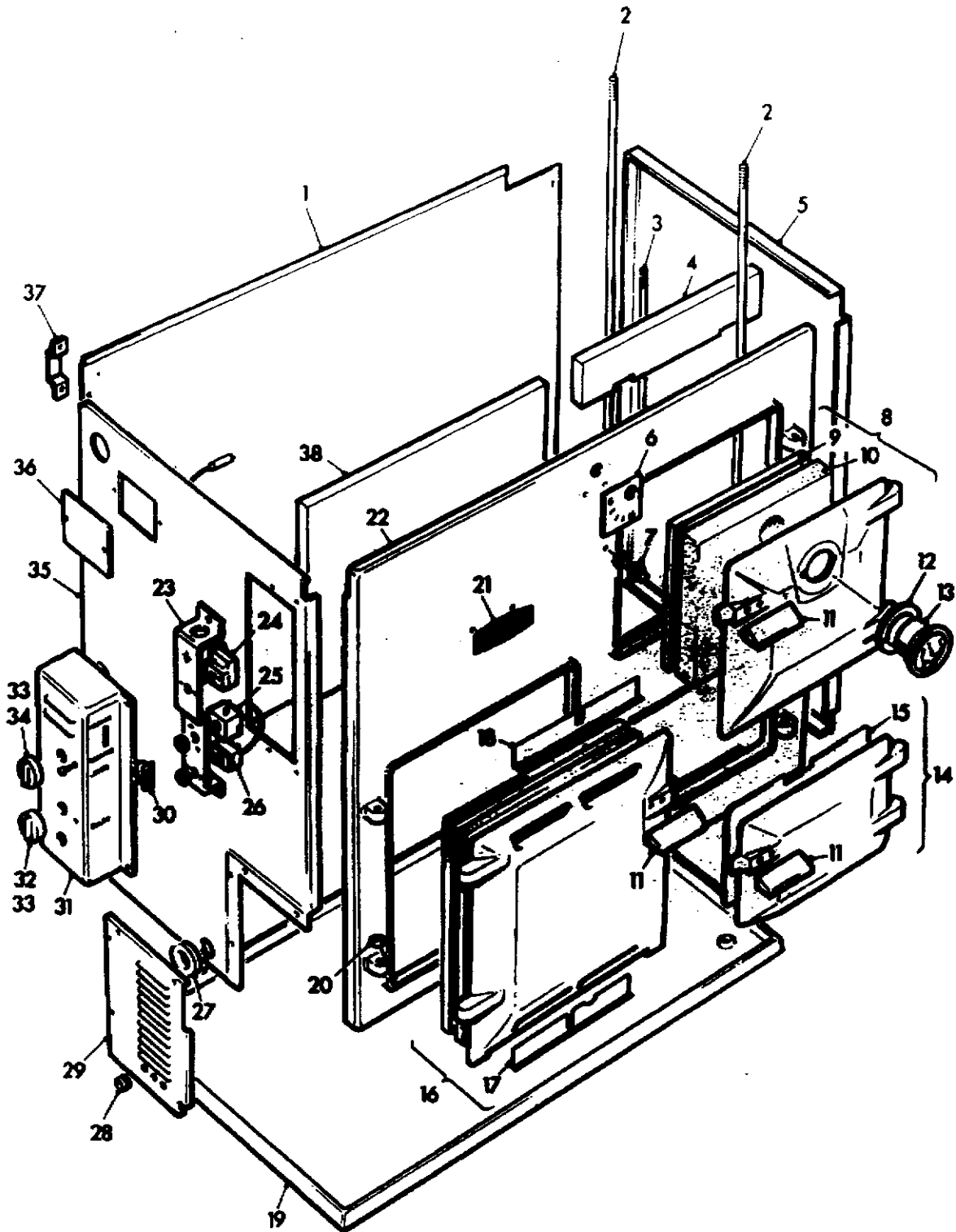


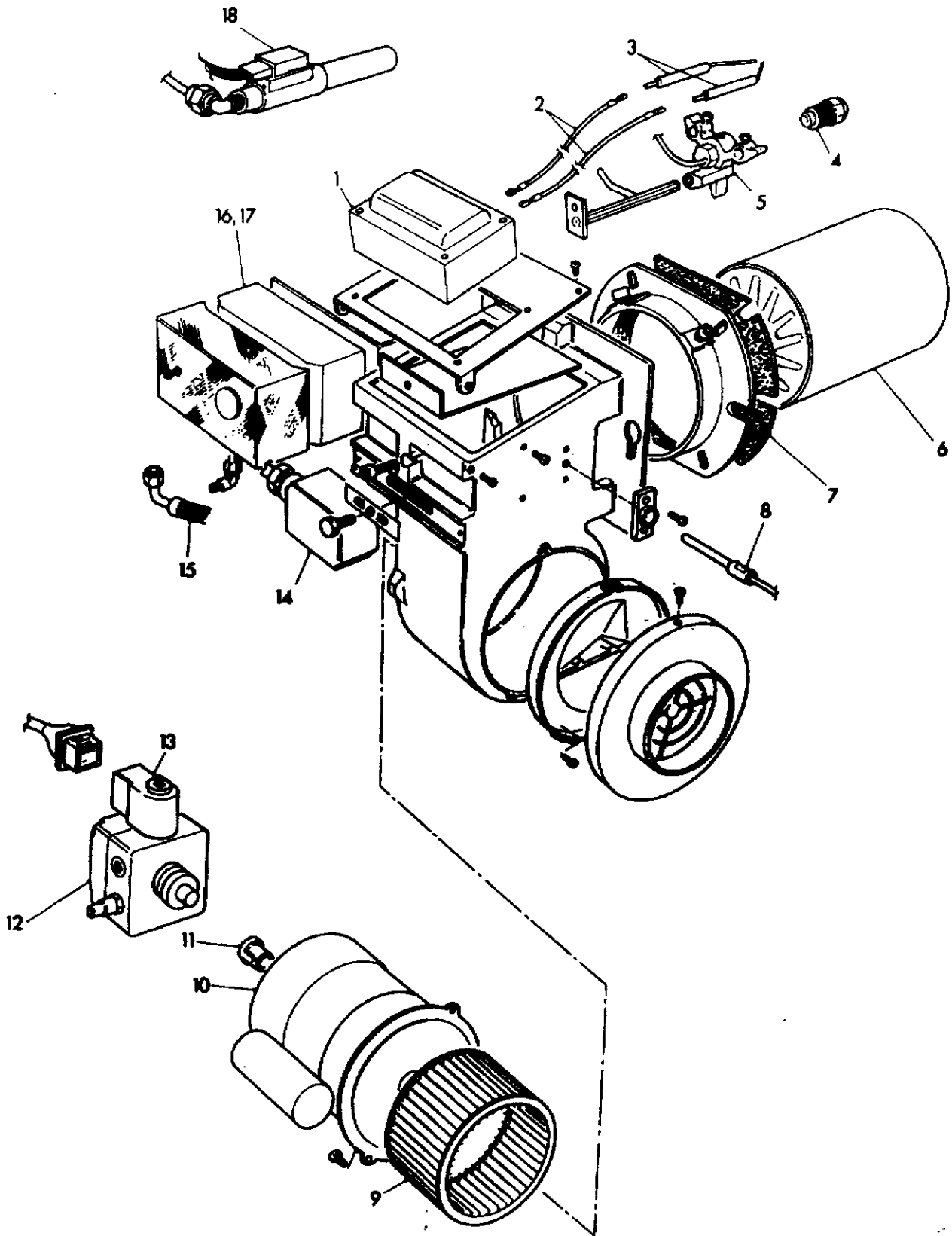
OUTER SHELL



0006

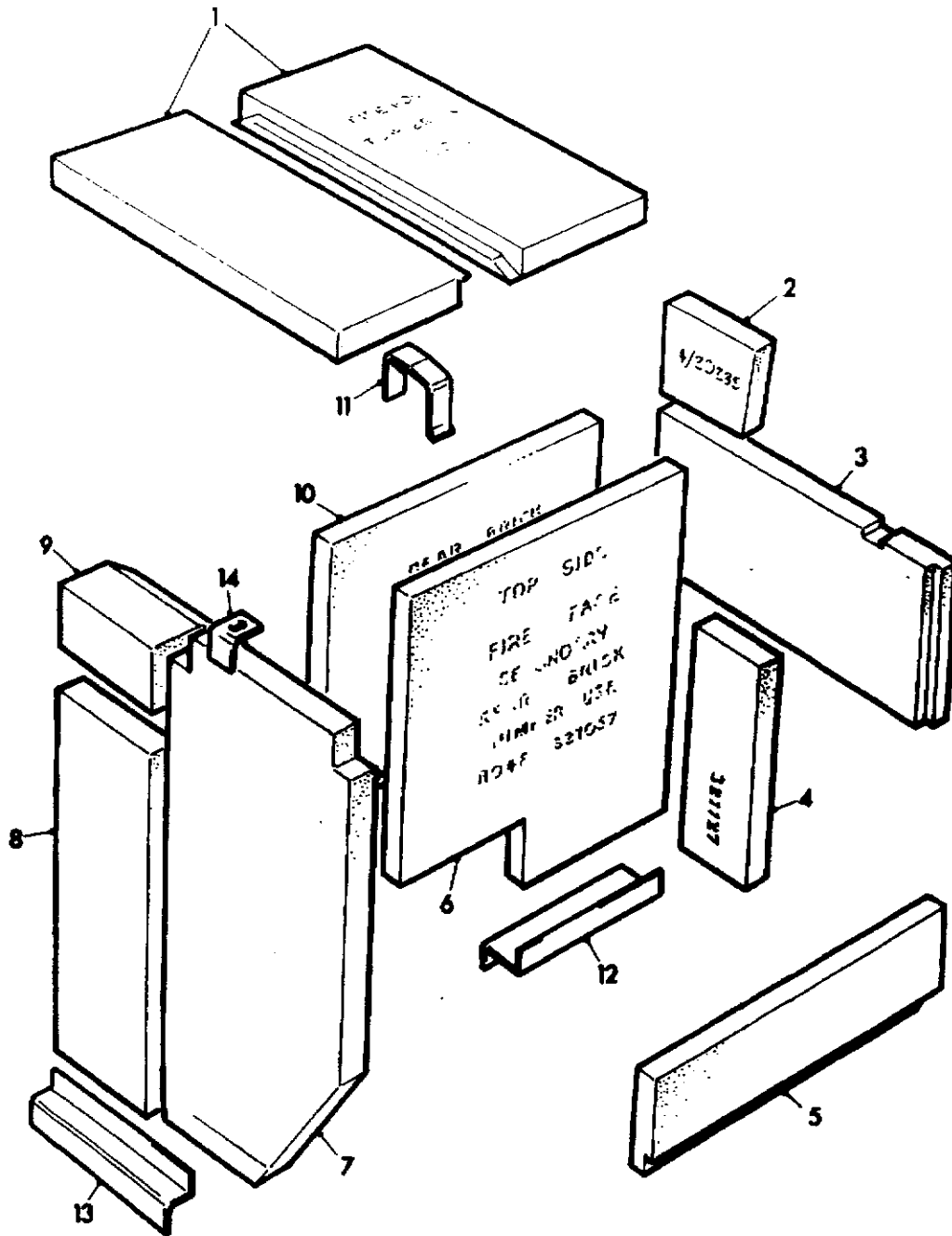
BURNER (MONOFLAME)

RAYBURN
360K & 360D



0004A

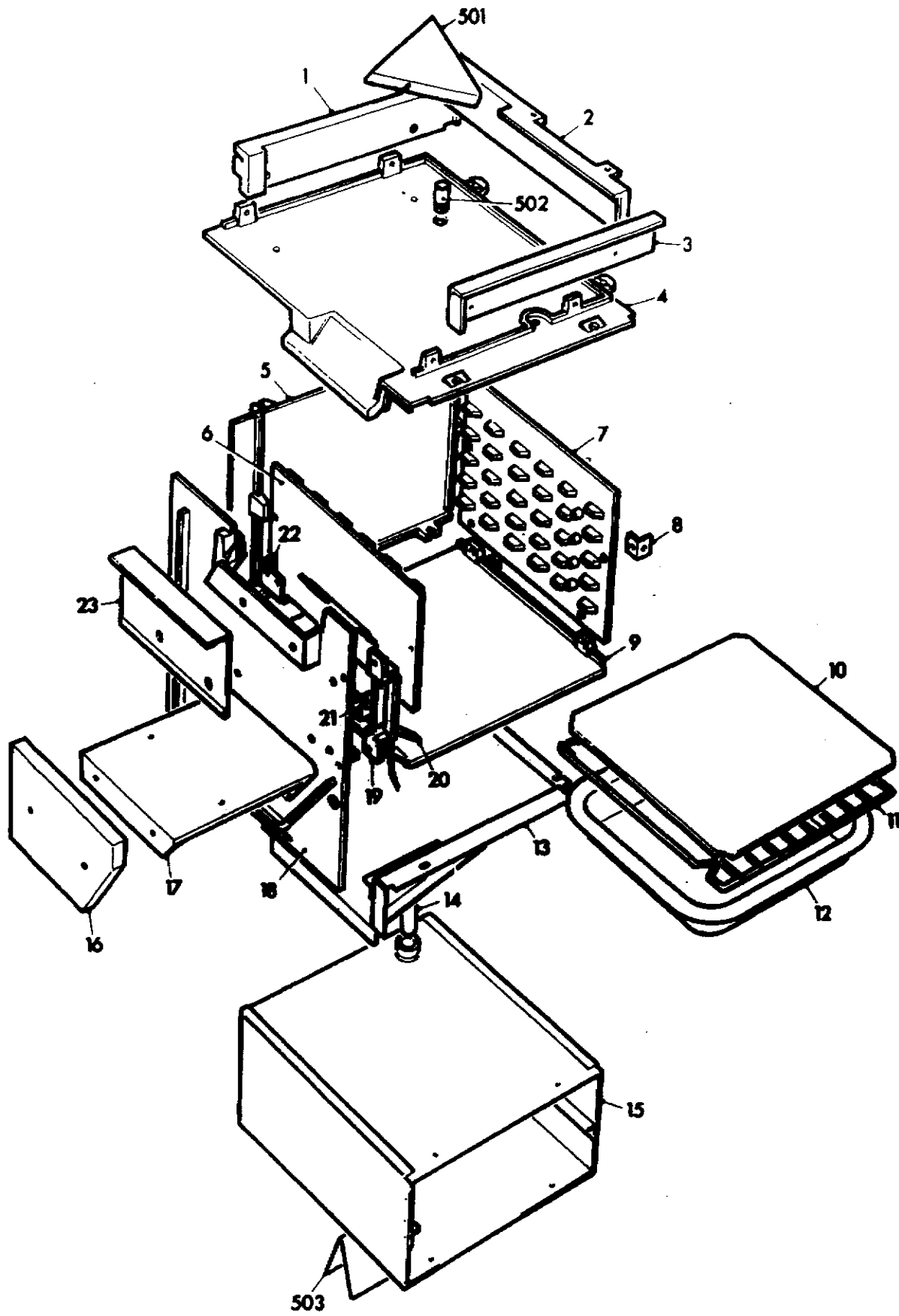




0008A

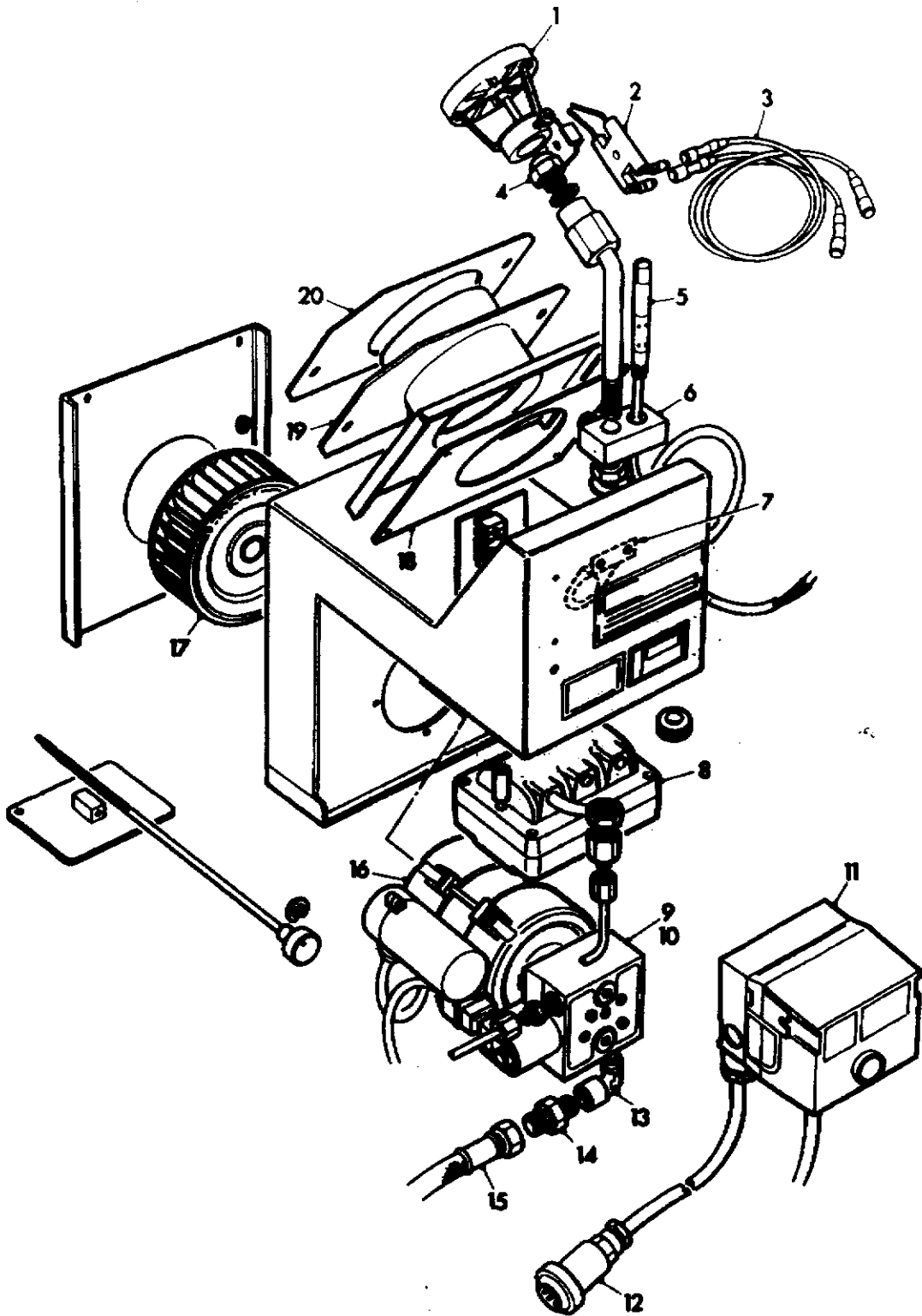
OVENS

RAYBURN
360K & 360D



0003

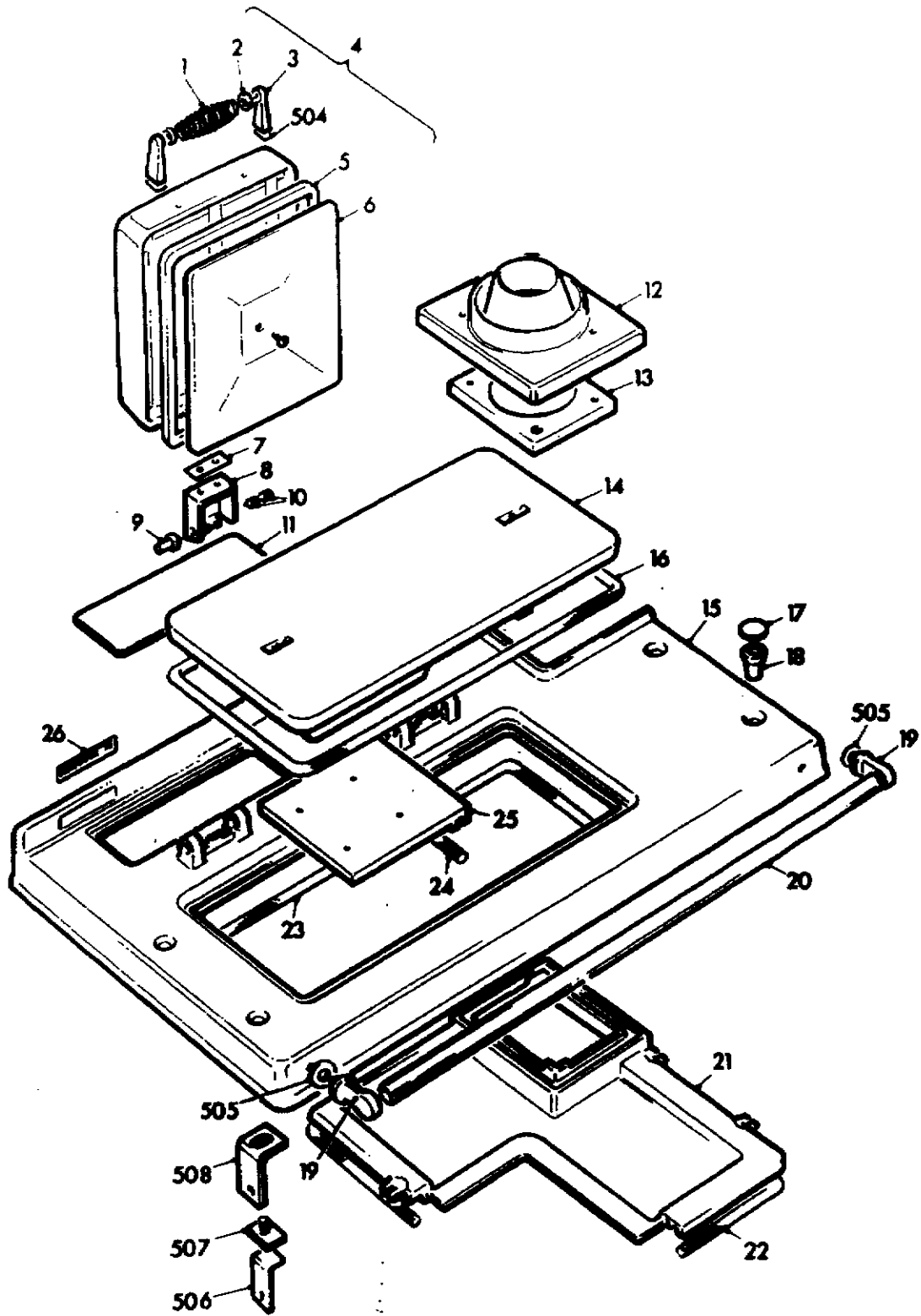




0004

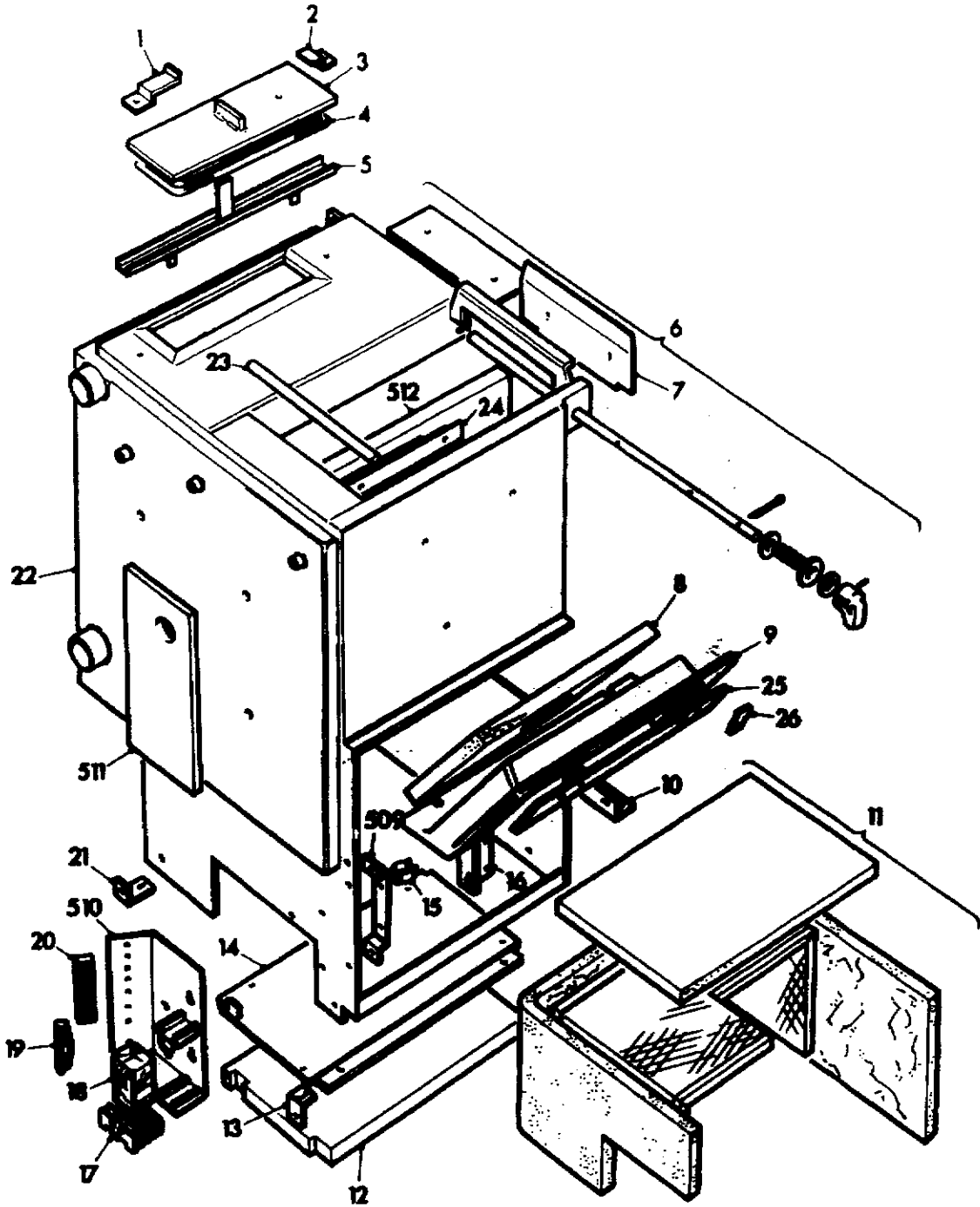
TOP PLATE

RAYBURN
360K & 360D



0005

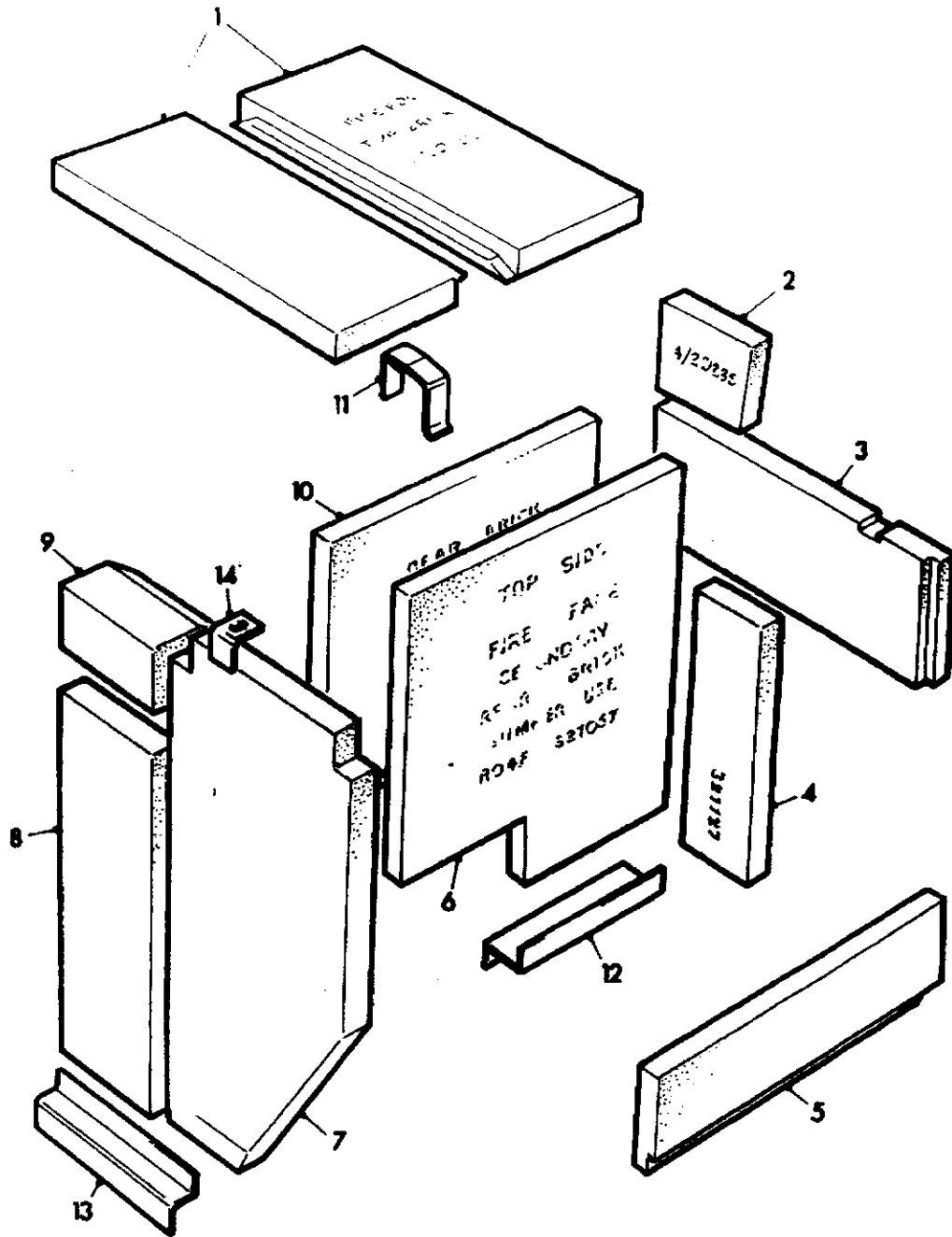




0002

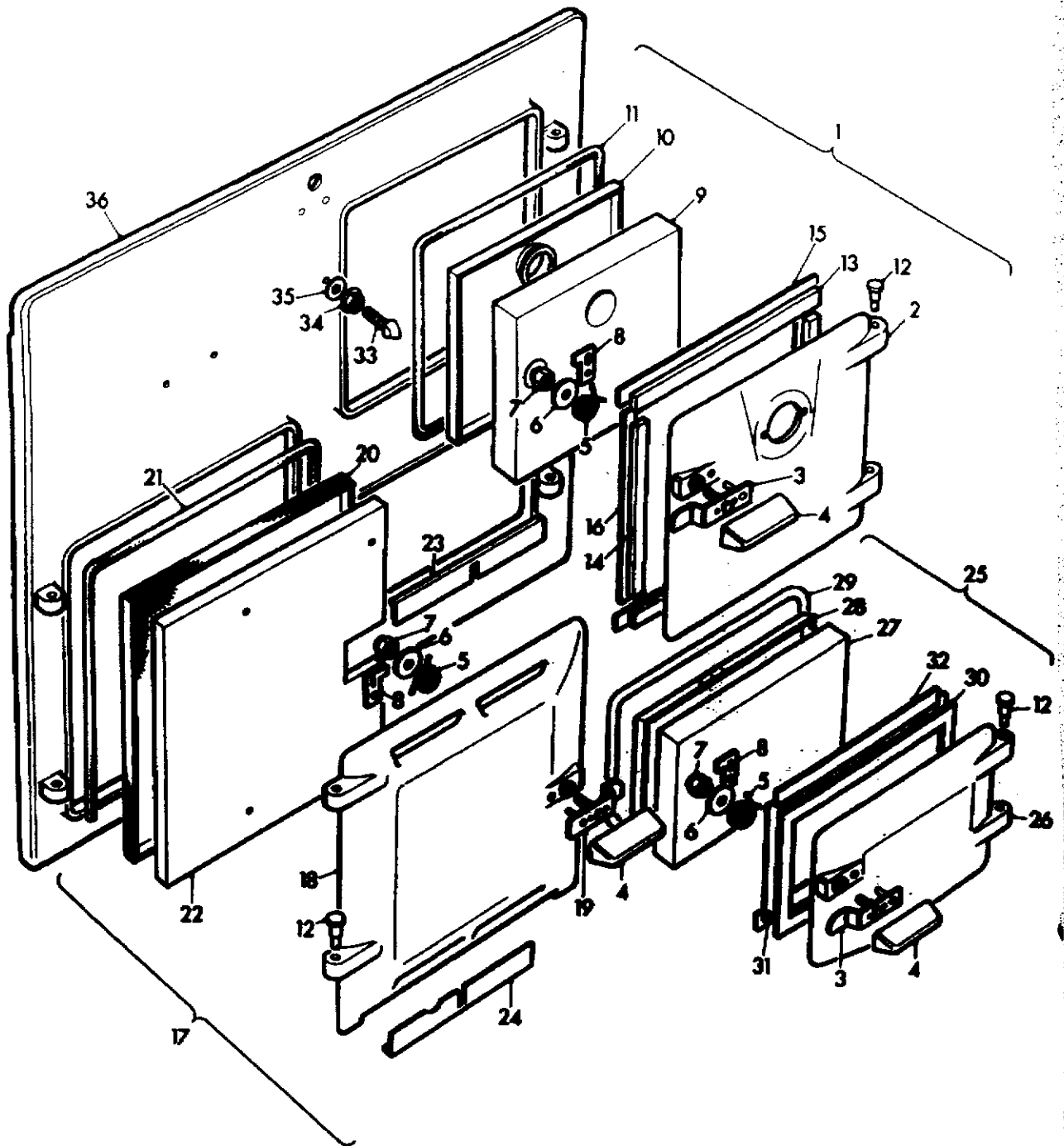
FIREBRICKS (MONO)

RAYBURN
360K & 360D



0008

FRONT PLATE AND DOORS

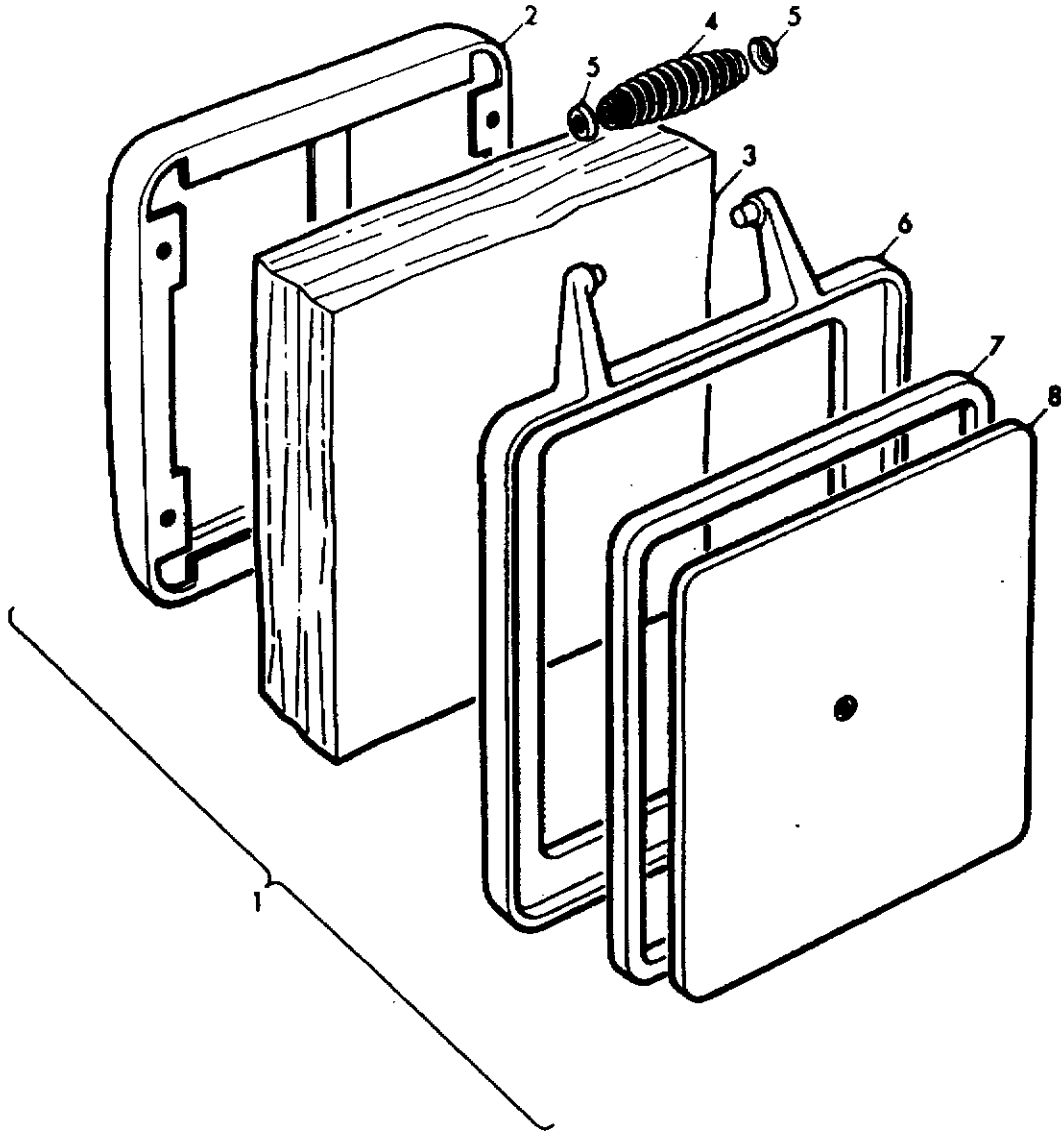


Introduced June 95 from Serial No. R0041888

0020

INSULATING COVER

RAYBURN
360K & 360D



Produced June 95 from Serial No. R0041888

0021

OUTER SHELL

RAYBURN
360K & 360D

ITEM No.	CAT. No.	DESCRIPTION	PRODUCT CODE
1	R1630	Backplate	
2	R1760	Corner stay rod only	RS2V90000
2	R2088	Corner stay rods & nuts (set of 4)	RS4M44080
3	R1761	Oven stay rod	RS9M44080SET4
4	R1021	Top hear shield	RS4M44111
5	R1635	RH side plate - oven side	JPAD30770
6	R1746	Damper positioning plate	RS2V91310
7	R1734	Oven door catch	RS4M38978
8	R1971	Oven door complete RH oven	RS4M34120
9	R2931	Oven door lining	RS9E519COMP
10	R1705	Slagwool matting for oven door	RO2M320198
11	R2061	Door handle - (complete with screws)	RS4M20490
12	R1147	Gasket thermodial	RS9M31530COMP
13	R2493	Oven thermodial	RG4M30412
14	R2408	Warming oven door assembly	RG4T313219
15	R1089	Warming oven door lining	RS9E300011COMP
16	R2478	Outer burner door assembly	RG2M310115
17	R2376	Bottom blanking plate	RO9E0-18882PJ
18	R2377	Top blanking plate	RO2M321076
19	R2479	Base plate	RO2M321075
20	R2119	Nylon door washer (set of 4)	RG5M313072
21	R2218	Name badge	RS9M53500SET4
22	R2308	Front plate and doors assembly	RO4M330013
23	R2718	Thermostat mounting plate	RO9E3-20390COMP
24	R1469	Thermostat	RO2M321246
25	R1237	Boiler thermostat	RO4T46832
26	R1238	Overheat thermostat	RG4T46825
27	R2709	Grommet	RG4T46861
28	R2719	Grommet	AO4M31370
29	R2720	LH side filler plate	RG4M31317
30	R1208	Switch	RO4M27604
31	R1334	Control cover panel	RG4M44991
32	R1047	Clip	RO1M320014
33	R1187	Boiler control knob	KCIP26296
34	R1409	Cooker control knob	RG4M34144
35	R1356	LH side plate	RO4M33987
36	R2721	Plate - stat phial access	RO2V94018
37	R2722	Cooker distance bracket	RO2M321024
38	R2949	Front plate insulation blanket	RG2M90781
			JPAD321083
 MONO BURNER 			
24A	R2470	Thermostat 'Caem' Cooker Burner	RO4T321249
25A	R2315	Thermostat Boiler	RO4T321135
26A	R2313	Thermostat Failsafe Limit	RO4T321136
34A	R2557	Control Knob Cooker Stat	RO4T321269

Note: Parts not itemised are only supplied as assemblies

RAYBURN 360K & 360D

Subble Number	Cat. No.	Description	Product Code
SECTION 1: OTHER SKILL			
1	R1630	BACKPLATE	RS2V90000
2	R1760	CORNER STAY ROD ONLY	RS4M44080
2	R2088	CORNER STAY RODS & NUTS SET OF 4	R89M44080SET4
3	R1761	OVEN STAY ROD	RS4M44111
4	R1021	SHIELD HEAT TOP - BARLAN- 4MM	JPAD30770
5	R1635	RH SIDE PLATE - OVEN SIDE	R82V91310
6	R1746	DAMPER POSITIONING PLATE 4/16263	RS4M38978
7	R1734	OVEN DOOR CATCH/FIREDOOR STUD	RS4M34120
8	R1971	OVEN DOOR COMPLETE R.H.O.	RS9E519COMP
9	R2931	OVEN DOOR LINING	RO2M32019B
10	R1705	SLAGWOOL MATTING FOR OVEN DOOR	RS4M20490
11	R2061	DOOR HANDLE C/W SCREWS	RS9M11530COMP
12	R1147	GASKET THERMODIAL PERM AF 2000	RG4M30412
13	R2493	OVEN THERMODIAL BI-METAL ROUND	RG4T313219
14	R2408	WARNING OVEN DOOR C/W LINING & HANDLE R.H.O.	RS9E300011COMP
15	R1089	WARNING OVEN DOOR LINING	RO2M310115
16	R2478	OUTER BURNER DOOR ASSEMBLY	RO9E0-18882PJ
17	R2176	PLATE - FIREDOOR BOTTOM BLANKING	RO2M321076
18	R2177	PLATE - FIREDOOR TOP BLANKING	RO2M321076
19	R2479	BASE PLATE	RO5M113072
20	R2119	SET OF 4 NYLON DOOR WASHERS	RS9M51500SET4
21	R2218	NAME BADGE "RAYBURN"	RO4M310013
22	R2308	FRONT PLATE C/W DOORS	RO9E3-20390COMP

Issue date: 16/10/96
Issue number: .00

RAYBURN 360K & 360D

Page 1

RAYBURN 360K & 360D

Subble Number	Cat. No.	Description	Product Code
3	R1711	BRACKET FOR INSULATING COVER HANDLE	R84M27090
4	R2124	INSULATING COVER COMP - CHROME - SPINDLE TYPE	RS9M91265COMP
4	R2127	INSULATING COVER COMP - CHROME - GRUB TYPE	RG9M33411COMP
5	R1019	DOMESEAL FOR TWIN INS COVER	JMAR20554
6	R1614	INSULATING COVER LINING PLATE	RO2E340773
7	R2691	HINGE COVER GASKET	R84M30765
8	R2143	HINGE - INSULATING COVER - CHROME PLATED - SPINDLE	RS4M31963
8	R2179	HINGE - INSULATING COVER - CHROME PLATED - GRUB	RG4M311077
9	A1651	HINGE SPINDLE MOD.74 & RAY TWIN INS. COVERS	A54M42886
9	R2352	PIVOT BEARING - FIXED SET OF 2	R89M301041SET2
10	R2055	SET OF 4 CIRCLIPS E 1500 250E	R89M326203SET4
10	R2351	SCREW M10 X 10MM SOCKET CN/PT GRUB SET OF 4	RG9M500165SET4
11	R1786	HOB FILLER ACCESS PLATE	RS5E3-15918
12	R2455	FLUE SPIGOT V.E.	RO5E321138
13	R2685	PLATE - FLUE SPIGOT ADAPTOR	RO2M321010
14	R1248	HOTPLATE	RG5M0-17045
15	R2647	HOB PLATE ASSEMBLY - GRUB TYPE FIXINGS	RO9E0-18032GRUB
15	R1765	HOB PLATE - STRIPPED - SPINDLE FIXINGS	RO5E0-18032SPIN
16	R1037	NO.4 THERMOSEAL ROPE FOR HOT PLATE 60"	JTHR20389-60IN
17	R1713	STAY BUTTON	RS4M24420
18	R1066	CORNER STAY NUT 3/8"	KNUT53090
19	A1744	HANDRAIL BRACKET C/W BOLTS & NUTS-MOD 74-	A89M3-9174COMP
20	R1723	CHROME PLATED HANDRAIL	RO4M340837
21	R1805	HOB PROTECTION PLATE N/T	R85M0-17822
25	R2706	HOT PLATE BAFFLE	RG5M1-17047

Issue date: 16/10/96
Issue number: .00

RAYBURN 360K & 360D

Page 3

RAYBURN 360K & 360D

Bubble Number	Cat. No.	Description	Product Code
26	R2208	NAME BADGE 'RAYBURN PJ' - FOR MOB PLATE	RO4M310012
504	E1109	REFER TO STOCKIST	9ANY
505	E1109	REFER TO STOCKIST	9ANY
506	E1109	REFER TO STOCKIST	9ANY
507	E1109	REFER TO STOCKIST	9ANY
508	E1109	REFER TO STOCKIST	9ANY
SECTION 4: BOILERS			
1	R2414	BOILER CLEANING DOOR FIXING BRACKET	RO2M91060
2	R1094	BOILER CLEANING DOOR LOCATING BRACKET	RO2M91244
3	R1001	PLATE COVER CLEANING ASSY	RO2V340412
5	R2464	BOILER FLUE BAFFLE ASSEMBLY	RO1M321014
6	R2080	DAMPER ROD C/W HANDLE & BOILER & COOKER BLADES	RS9M41154COMP
7	R2602	DAMPER BLADE - COOKER	RS2M91325
8	R2477	PAD - BURNER MOUNTING INSULATION	JPAD121129
8	R1025	PAD BURNER CHAMBER FRONT INSULATION	JPAD17242
9	R2988	BURNER CHAMBER FRONT PLATE - MONOFLAME	RO5V121105
9	R2406	BURNER CHAMBER FRONT PLATE - GP BURNER	RO1M999701
10	R2716	BOILER RH FIXING BRACKET	RO2M91830
11	R2948	INSULATION KIT	RO9M321132
12	R2405	PAD - BURNER CHAMBER BASE INSULATION	JPAD121130
12	R1024	PAD BURNER CHAMBER BASE INSULATION	JPAD17241
13	R2715	BURNER CHAMBER BASE FIXING BRACKET	RO2M121283
14	R2717	BASE PLATE BURNER CHAMBER	RO1M321240
15	A1939	TERRY CLIP RBF.100/LJK	KCLP26260

Issue date: 16/10/96
Issue number: .00

RAYBURN 360K & 360D

Page 4

RAYBURN 360K & 360D

Bubble Number	Cat. No.	Description	Product Code
16	R2483	DANFOSS CONTROLLER MOUNTING BRACKET	RO2M94012
17	R2462	8-PIN BASE P/F8	RO4M321022
18	R1405	RELAY 2-POLE (REF:R152E)	RO4M121023
19	R2190	CABLE CLAMP	RO4M26192
20	R4950	TERMINAL BLOCK 6 WAY TENBY 712	GG4M44488
21	R1347	BOILER LH FIXING BRACKET	RO2M320209
22	R2467	BOILER BODY NS ASSEMBLY	RO2V321213
23	R2150	10MM DIA X 230MM LG RETAINING BAR FOR FIREBRICKS	RO4M321011
24	R2149	SUPPORT BRACKET FOR TOP RENOVABLE FIREBRICKS	RO2M94013
25	R2678	BURNER CHAMBER INSULATING STRIP	RO2M321090
26	R4951	BRACKET - OVEN STAT CAPILLARY SUPPORT	RO2M321091
27	R2486	PAD - FIREBOX FRONT INSULATION	JPAD121128
28	R2357	INSULATING PAD - FIREBOX FRONT D/BD	JPAD121085
29	R1080	ROCKWOOL FIBRE - 5KG BAG	MRWF110629
SECTION 5: OVENS			
1	R1812	OVEN TOP BACK FLUE PLATE O.F.	R85M1-16193
2	R2572	OVEN TOP R.H.SIDE FLUE PLATE	RG5M1-16199
3	R2714	FRONT FLUE PLATE ASSEMBLY	RO1M321254
4	R2553	TOP OVEN TOP PLATE	RO5M321078
5	R1913	TOP OVEN BACKPLATE	RO5M340460
6	R1916	OVEN SIDE -REMOVABLE-	R8508-RH
7	R1915	OVEN SIDE -FIXED- R.H.O	R8507-RH
8	R2950	BRACKET - TOP OVEN LH SIDE RETAINING	RS4M22864
9	R2554	TOP OVEN BOTTOM PLATE	RO5O321029

Issue date: 16/10/96
Issue number: .00

RAYBURN 360K & 360D

Page 5

RAYBURN 360K & 360D

Bubble Number	Cat. No.	Description	Product Code
10	R1618	PLAIN OVEN SHELF ALL MODELS	RO2M340757
11	R2573	OVEN GRID SHELF ALL MODELS	R84M300070
11	R3512	OVEN GRID SHELF - PRE 1985 ALL MODELS	RG4M998221
12	R2004	HEAT TRAY	EMTY47744
13	R2711	OVEN REFLECTOR DUCT ASSEMBLY	RO1M321219
14	R2701	VENT PIPE - WARNING OVEN	RS2M91495
15	R1601	WARNING OVEN ASSEMBLY	R81V91100
16	R2262	HEAT TRANSFER PLATE ASSEMBLY - GP BURNER	RO9M321094COMP
16	R2322	HEAT TRANSFER PLATE - MONOFLAME	RO4M321094
17	R2402	OVEN HEAT CONDUCTING PLATE	RO5M321215
18	R2282	FIREBOX SIDE	RO5M0-20222
19	R2953	BRACKET - FIREBOX SIDE FIXING	R85M301092
20	R2710	BLANKING PLATE	RO2M94007
21	R2712	BRACKET - STAT PHIAL FRONT LOCATION	RO2M321247
22	R2713	BRACKET - REAR STAT PHIAL LOCATION	RG1M311001
23	R2407	PLATE - HOTPLATE BAFFLE SEAL	RO2M321026
501	R2947	FLUE SPIGOT BAFFLE	RO2M321074
502	R2820	PIPE TOP OVEN VENT 3/4"BSP X 62MM LONG	A84M37960
503	R2449	BRIDGE BASEPLATE	R82M90115
SECTION 6: BURNER (OP) KEROSENE ONLY			
1	R2339	COMBUSTION HEAD DIF0011	RO4M999036
2	R1458	ELECTRODE	RO4M999035
3	R1457	IGNITION CABLES	RO4M999034
4	R1459	NOZZLE	RO4M999037

Issue date: 16/10/96
Issue number: .00

RAYBURN 360K & 360D

Page 6

RAYBURN 360K & 360D

Bubble Number	Cat. No.	Description	Product Code
5	R1465	PHOTORESISTOR	RO4M999046
6	R2340	NOZZLE HOLDER - NOZH0080	RO4M999047
7	R2353	BRACKET - NOZZLE HOLDER BKTO068	RO4M999065
8	R1464	TRANSFORMER	RO4M999045
9	R1463	PUMP C/W SOLENOID	RO4M999043
10	R2246	SOLENOID	RO4M999050
11	R2488	CONTROL BOX BHO61 057H032 C/W SERVICE KIT 057H022	RO9M999151
12	R2341	SOCKET CONTROL BOX BAS0015	RO4M999039
13	R1394	6MM COMPRESSION ELBOW	RO4M27543
15	R2342	FLEXIBLE TUBE - E05006X	RO4M999427
16	R1462	FAN MOTOR	RO4M999042
17	R1461	FAN	RO4M999041
18	R2175	GASKET BURNER SEAL	RO4M999048
19	R2191	BLAST TUBE	RO4M999038
20	R1466	BURNER MOUNTING GASKET	RO4M999049
999	R1383	OIL BURNER C/W DANFOSS CONTROL	RO4M24116
SECTION 7: BURNER (MONOFLAME)			
1	R2330	TRANSFORMER 8000V / 20MA (1701) R3	RO4M999148
2	R2369	IGNITION LEAD - PAIR	RO4M999258
3	R2335	IGNITION ELECTRODE (1703)	RO4M999155
4	R2989	NOZZLE 0.75MM USG 80D6G LE	RO9M999525
5	R2336	INNER ASSEMBLY (1401) R3	RO4M999156
5	R1556	INNER ASSEMBLY - DIESEL	RO4M999337
6	R2328	BLAST TUBE M1763/AGA	RO4M999150

Issue date: 16/10/96
Issue number: .00

RAYBURN 360K & 360D

Page 7

RAYBORN 360K & 360D

Bubble Number	Cat. No.	Description	Product Code
7	R2321	BURNER MOUNTING GASKET	RO4M321149
8	R2327	PHOTO CELL (1103) R3	RO4M999153
9	R2329	FAN 99 X 42 MM R3	RO4M999149
10	R2331	MOTOR ACCO / SIMEL 50W : 2800RPM R3	RO4M999147
11	R2368	PUMP COUPLING	RO4M999257
12	R2332	PUMP DANFOSS BFP/DELTA OIL R3	RO4M999145
13	R2333	SOLENOID R3 (REF 1205)	RO4M999146
14	R2989	NOZZLE 0.75MM USG 80DEG LE	RO9M999525
15	R2325	FLEXIBLE HOSE R3	RO4M999159
16	R2334	CONTROL BOX DANFOSS BHO61 057H7032	RO4M999151
16	R2967	BOTTOM OVEN DOOR ASSEMBLY - NEW TYPE FROM SEPT 95	RO9M340137COMP
17	R2337	BASE CONTROL BOX (1102) R3	RO4M999152
18	R2970	FRONT PLATE ASSEMBLY C/W DOORS - NEW TYPE	RO1M-DPJ-PP
999	R2314	MONOFLAME BURNER - AFTER S/NO.R0024778	RO4M321095
SECTION 8: ALTERNATIVES FOR GAS OIL			
1	R2552	BURNER ASSEMBLY - GASOIL MONOFLAME	RO4M321252
2	R3557	NOZZLE 0.6 X 80 DEGREE H LE - ANTI-DRIP DIESRL	RO4M9998078
SECTION 9: FIREBRICKS (GP)			
1	R3036	FIREBOX TOP FIREBRICK	RO4F321277
2	R1365	FIREBRICK OVENSIDE TOP	RO4F4-20285
3	R1656	OVEN SIDE BRICK - PT NO.3/16272	RS4F3-16272
4	R1358	FIREBRICK OVENSIDE LOWER	RO4F3-20284
5	R1359	FIREBRICK FIREBOX FRONT UPPER	RO4F3-20287
6	R2148	SECONDARY FIREBRICK FOR BOILER REAR FACE	RO4F321057

Issue date: 16/10/96
Issue number: .00

RAYBORN 360K & 360D

Page 8

RAYBORN 360K & 360D

Bubble Number	Cat. No.	Description	Product Code
7	R1357	FIREBRICK REMOVEABLE FRONT SIDE	RO4F1-20290
8	R1361	FIREBRICK REMOVEABLE REAR SIDE	RO4F3-20289
9	R1360	FIREBRICK BOILER TOP	RO4F3-20288
10	R1362	REAR FIREBRICK REMOVEABLE	RO4F3-20291
11	R2146	REAR FIREBRICK RETAINING BRACKET	RO2M321060
12	R2242	SECONDARY REAR FIREBRICK BRKT	RO2M321061
13	R2147	FIXING BRACKET FOR BOILER SIDE FIREBRICK	RO2M94014
14	R2677	BOILER TOP FIXING BRACKET	RO2M94004
999	R1528	SET 11 F/BRICKS - GP - (NOT INC. CHROME IRON SHOE)	RO9F11BK9-FJ
SECTION 10: FIREBRICKS (MONO)			
1	R3036	FIREBOX TOP FIREBRICK	RO4F321277
2	R1365	FIREBRICK OVENSIDE TOP	RO4F4-20285
3	R2319	OVEN SIDE MIDDLE PERMANENT FIREBRICK	RO4F321126
4	R2320	OVEN SIDE LOWER PERMANENT FIREBRICK	RO4F321127
5	R1359	FIREBRICK FIREBOX FRONT UPPER	RO4F3-20287
6	R2148	SECONDARY FIREBRICK FOR BOILER REAR FACE	RO4F321057
7	R2318	BOILER SIDE FRONT REMOVABLE FIREBRICK	RO4F321131
8	R1361	FIREBRICK REMOVEABLE REAR SIDE	RO4F3-20289
9	R1360	FIREBRICK BOILER TOP	RO4F3-20288
10	R1362	REAR FIREBRICK REMOVEABLE	RO4F3-20291
11	R2149	SUPPORT BRACKET FOR TOP REMOVABLE FIREBRICKS	RO2M94013
12	R2146	REAR FIREBRICK RETAINING BRACKET	RO2M321060
13	R2491	BRACKET - SIDE BRICK LOCATION	RO2M321156
14	R2677	BOILER TOP FIXING BRACKET	RO2M94004

Issue date: 16/10/96
Issue number: .00

RAYBORN 360K & 360D

Page 9

RAYBURN 360K & 360D

Bubble Number	Cat. No.	Description	Product Code
999	R2361	SET 11 F/BRICKS - MONO- (NOT INC. CHROME IRON SHOE)	RO9F11BK-PUMONO
SECTION 11: FRONT PLATE AND DOORS			
1	R2969	TOP OVEN DOOR ASSEMBLY - NEW TYPE FROM SEPT 95	RO9M340134-368K
3	R2680	DOOR CATCH ASSY - OVEN DOORS	RO4M340181
4	R2061	DOOR HANDLE C/W SCREWS	RS9M31530COMP
5	R2757	SPRING - DOOR CATCH	RO4M340297
8	R2752	BRACKET - DOOR STOP CATCH	RO2M340349
9	R2986	PAD - INSULATION	JPAD340465
10	R2985	LINING PANEL - TOP OVEN DOOR	RO2M313325
11	R2642	SEAL - TOP OVEN DOOR	JMAR340255
12	R2633	DOOR HINGE PIN	RO4M340227
13	R2984	PAD - INSULATION - HORIZONTAL	JPAD313326
14	R2983	PAD - INSULATION - VERTICAL	JPAD313327
15	R2982	TAPE - DOOR SEAL - HORIZONTAL	JTHR313324
16	R2981	TAPE - DOOR SEAL - VERTICAL	JTHR313323
17	R2968	OUTER BURNER DOOR ASSEMBLY - NEW TYPE	RO9M320171-360K
19	R2563	DOOR CATCH ASSY - BURNER & CONTROLS DOOR	RO4M340278
20	R2980	LINING - BURNER DOOR INSULATION	RO2M321077
21	R2979	SEAL - BURNER DOOR	JMAR321272
22	R2978	PAD - BURNER DOOR INSULATION	JPAD321271
23	R2977	BLANKING PLATE - FIREDOOR TOP	RO2V321075
24	R2976	BLANKING PLATE - FIREDOOR BOTTOM	RO2V321076
25	R2967	BOTTOM OVEN DOOR ASSEMBLY - NEW TYPE FROM SEPT 95	RO9M340137COMP
27	R2975	PAD - INSULATION	JPAD340466

RAYBURN 360K & 360D

Page 10

Issue date: 16/10/96
Issue number: .00

RAYBURN 360K & 360D

Bubble Number	Cat. No.	Description	Product Code
28	R2974	LINING PANEL - BOTTOM OVEN DOOR	RO2M313313
29	R2641	SEAL - BOTTOM OVEN DOOR	JMAR340256
30	R3044	GASKET - DOOR INSULATION	RO4M313310
31	R2972	TAPE DOOR SEAL - 207MM	JTHR313314
32	R2973	TAPE DOOR SEAL - 326MM	JTHR313315
33	R2753	DOOR KEEP	RO4M340185
34	R2754	LOCKNUT M8 Z/P (CLEVELOCK)	KNUT500260
35	R2755	WASHER - DOOR KEEP AF2200	JW8R340334
36	R2970	FRONT PLATE ASSEMBLY C/W DOORS - NEW TYPE	RO1M-OPJ-PP
SECTION 12: INSULATING COVER NEW TYPE			
1	R2574	INSULATING COVER ASSEMBLY - SPINDLE TYPE	RO1M340315
2	R2766	INSULATING COVER C/P	RO4M340276
3	R2767	PAD - COVER INSULATION	JPAD340307
4	R3028	COIL HANDLE - NEW TYPE	RO4M340522
5	R3029	CUP - COIL HANDLE - NEW TYPE	RO4M340521
6	R2555	INSULATING COVER BASE - V.E. - SPINDLE	RO5E340274
7	R3457	SEAL - INSULATING COVER	JMAR340790
8	R1614	INSULATING COVER LINING PLATE	RO2E340773
ACCESSORIES			
1	R1295	RAYBURN COOK BOOK C/W CARTON	RG9M27070COMP
2	A2428	LONG FLUE RAKE	AS1M200004
3	R1764	HOTPLATE LIFTING TOOL	RS4M47450
4	A1841	WIRE BRUSH	SACS23230

RAYBURN 360K & 360D

Page 11

Issue date: 16/10/96
Issue number: .00