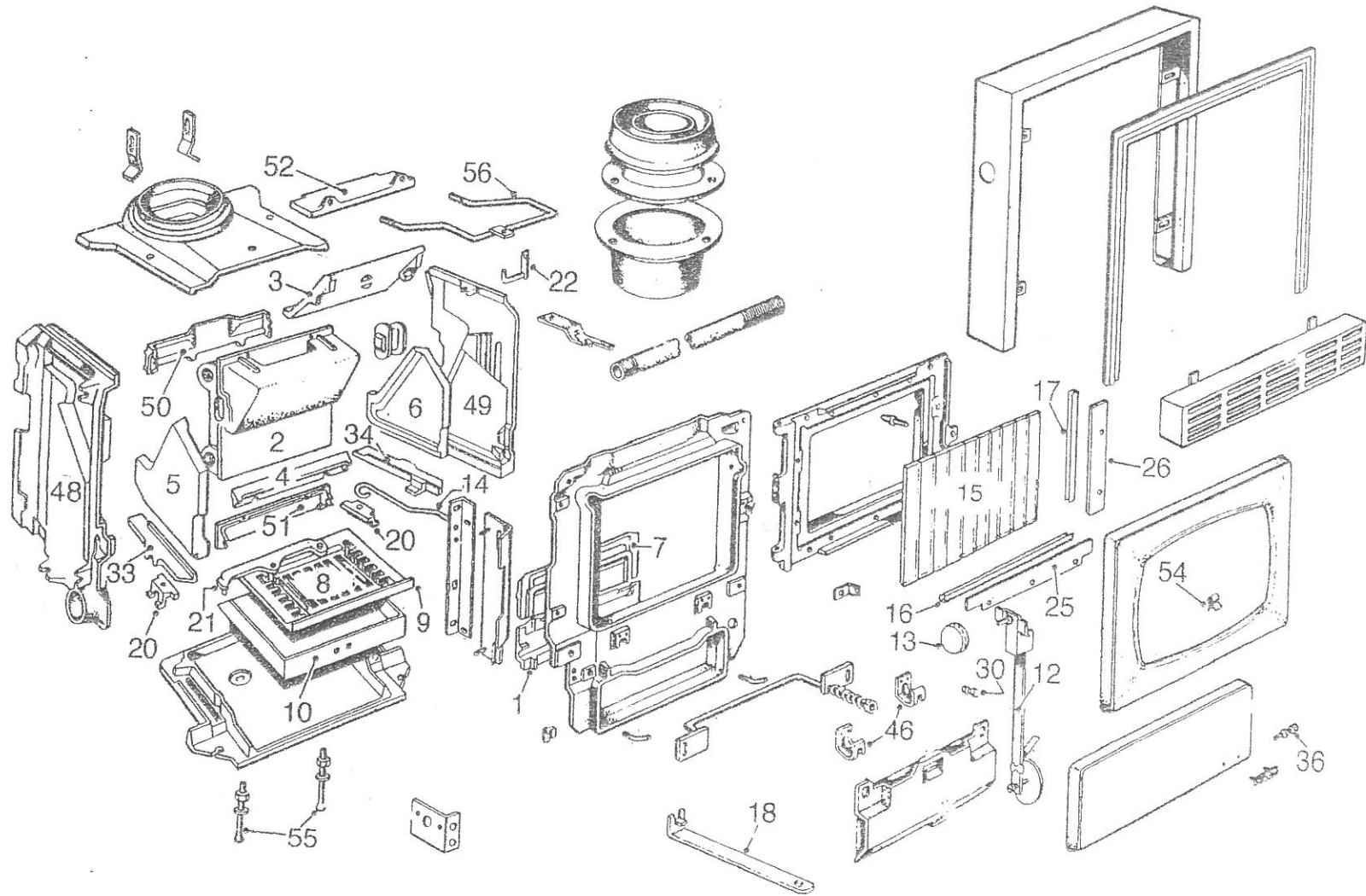
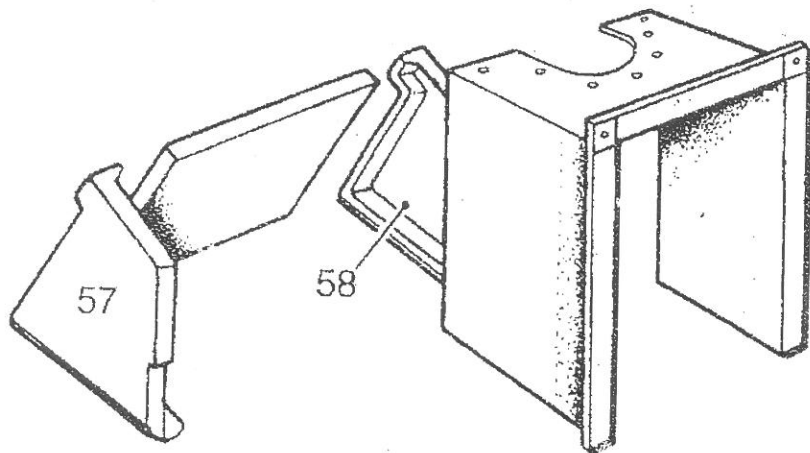


PARKRAY 77Q/77QF & 76Q



Parkray 76Q



Spares Parkray 77Q/77QF/ & 76Q

ITEM NUMBER	DESCRIPTION	PART NUMBER	UNIT	PACK SIZE
1	PROTECTION PLATE P33-66-77-88	075053	EA	1
2	CASTING BOILER ASSY 77SERIES	080476	EA	1
3	THROAT PLATE 77	080073	EA	1
4	CASTING BOTTOM GRATE STRIP 77	080075	EA	1
5	BRICK-LH SIDE 77	080081	EA	1
6	BRICK-RH SIDE 77	080082	EA	1
7	FRONT BAR P33-66-77	075018	EA	1
8	BOTTOMGRATE - CHROME IRON	080133	EA	1
9	BOTTOM.GRATE FRAME 77	080146	EA	1
10	ASHPAN (SW) SPARES P77	080176	EA	1
10	SHAKER ROD 66&77 VARIOUS	098032	EA	1
11	FIREPROOF PAD	080211	EA	1
11	MANUAL CONTROL ASSY-SPARES	098183	EA	1
12	THERMOSTAT PACK-SPARES 33-77	098184	EA	1
13	CONTROL KNOB	130093	EA	1
15	PANEL PACK - GLASS Q T & G	098179	EA	1
16	SEAL-395MM GLASS CHNL(TOP+BTM)	098025	EA	1
17	SEAL-250MM GLASS CHNL (SIDE)	098026	EA	1
18	OPERATING TOOL (SEE REMS)	112036CH	EA	1
20	B/GRATE LEVER BRKT 36 66 77	080014	EA	1
21	B/GRATE LEVER 36 66 77	080015	EA	1
22	DAMPER LINK 77	080087	EA	1
25	GLASS SEALING FRAME TOP + BOT	098017	EA	1
26	GLASS SEALING FRAME SIDF Q SFP	098018	EA	1
30	KNOB SHAKER ROD Q-T & G	098037	EA	1
33	BRICK-PLATFORM LH 36 66 77	080011	EA	1
34	BRICK-PLATFORM RH 36 66 77	080012	EA	1
36	ASHPIT COVER KNOB VARIOUS	093035	EA	1
46	ASHPIT FASCIA HINGE BKT. Q T	098029	EA	1
48	LH SIDE 77Q TO G	098046	EA	1
49	RH SIDE 77Q TO G	098047	EA	1
50	BACK TOP 77Q TO G	098048	EA	1
51	BACK BOTTOM Q TO G	098049	EA	1
52	DAMPER 77 VARIOUS	098050	EA	1
54	ASHPIT FACIA HINGE CLIP VARIOU	098059	EA	1
55	BOLT MBX50 FOUNDATION SPECIAL	013838	EA	1
58	DAMPER ROD ASSY (WELD) 77 TO G	098091	EA	1
57	BRICK CONVERSION LH SIDE	095007	EA	1
58	BRICK CONVERSION RH SIDE	095008	EA	1
999	DAMPER ASSY 77 VARIOUS	098178	EA	1