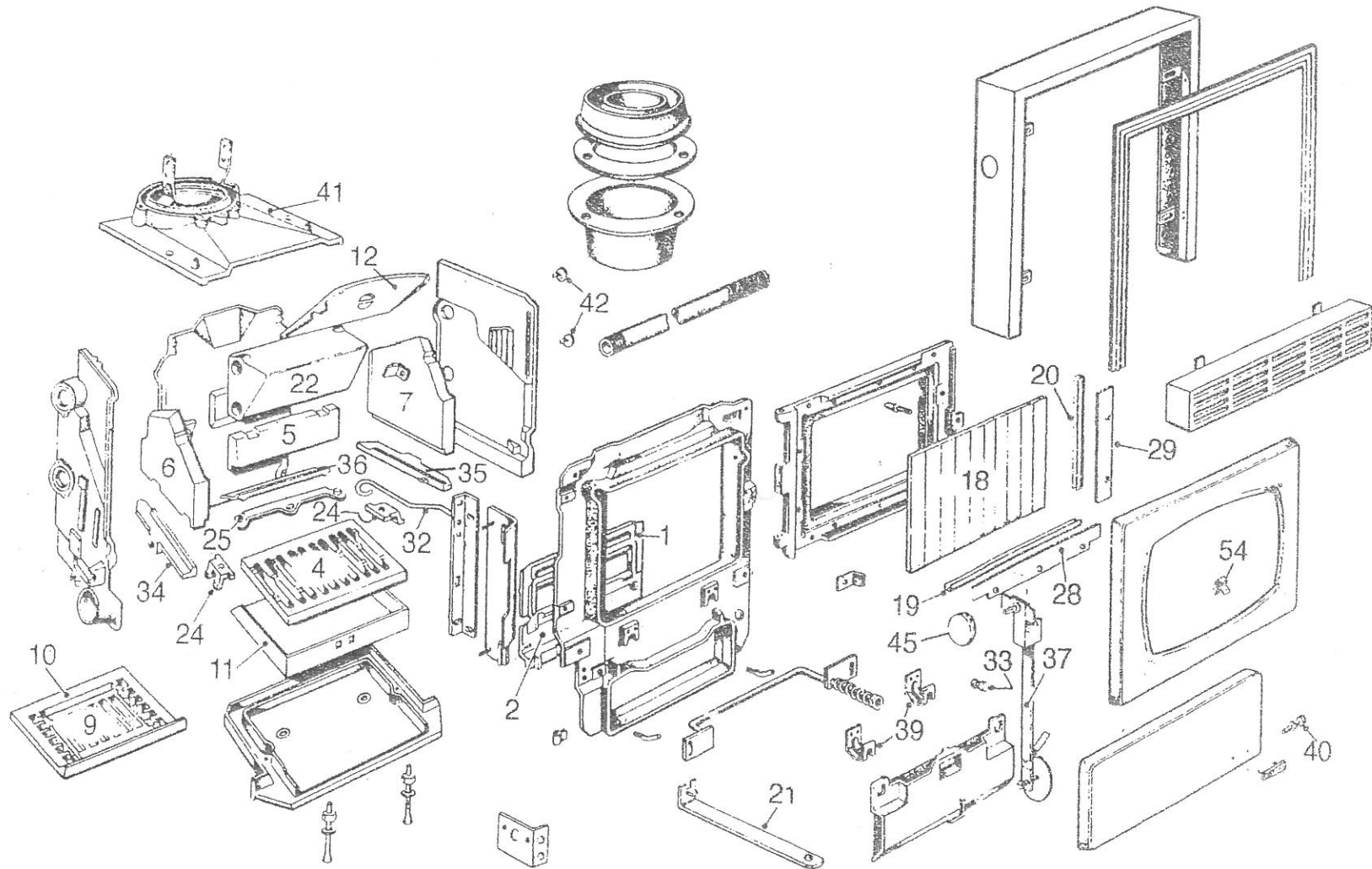
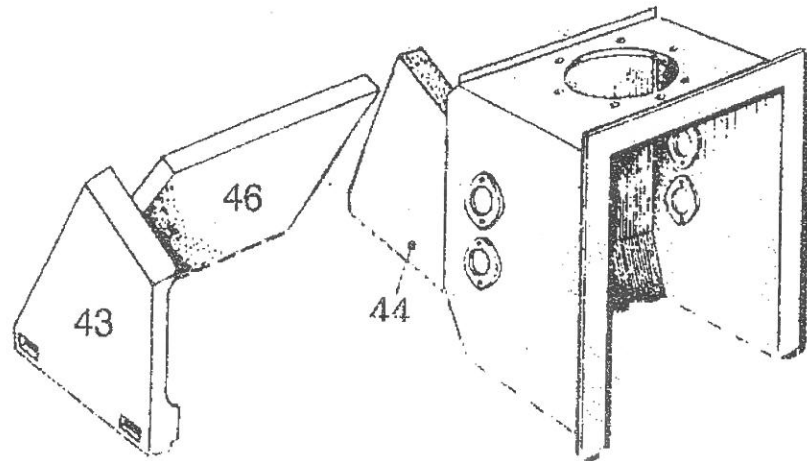


PARKRAY 66Q/66QF/65Q



## Parkray 65Q



## Parkray 66Q/QF/65Q

ITEM NUMBER	DESCRIPTION	PART NUMBER	UNIT	PACK SIZE
1	FRONT BAR P33-66-77	075018	EA	1
2	PROTECTION PLATE P33-66-77-RR	075053	EA	1
4	BOTTOM GRATE 36 66 77	080016	EA	1
5	BRICK-BACK 36 66 77 (20)	080029	EA	1
6	BRICK-LH 36 66 77 (90)	080030	EA	1
7	BRICK-RH 36 66 77 (90)	080031	EA	1
9	BOTTOMGRATE - CHROME IRON	080133	EA	1
10	BOTTOM GRATE FRAME 36 66 65	080145	EA	1
11	ASHPAN (SW) 36 66	080177	EA	1
12	THROAT PLATE 36 66	080205	EA	1
18	PANEL PACK - GLASS Q T & G	098179	EA	1
19	SEAL-395MM GLASS CHNL(TOP+BTM)	098025	EA	1
20	SEAL-350MM GLASS CHNL (SIDE)	098026	EA	1
21	OPERATING TOOL (SEE REMS)	112036CH	EA	1
22	BOILER-66 (SPARES)	080417	EA	1
23	BOILER-66 GLASS LINED (SPARES)	080418	EA	1
24	B/GRATE LEVER BRKT 36 66 77	080014	EA	1
25	B/GRATE LEVER 36 66 77	080015	EA	1
28	GLASS SEALING FRAME TOP + BOT	098017	EA	1
29	GLASS SEALING FRAME SIDE O SFR	098018	EA	1
32	SHAKER ROD 66&77 VARIOUS	098032	EA	1
33	KNOB SHAKER ROD Q-T & G	098037	EA	1
34	BRICK PLATFORM LH	080011	EA	1
35	BRICK PLATFORM RH	080012	EA	1
36	BRICK PLATFORM RACK	080013	EA	1
37	MANUAL CONTROL	098183	EA	1
38	THERMOSTAT PACK	098184	EA	1
39	ASHPIT FASCIA HINGE BRACKET	098029	EA	1
40	ASHPIT COVER KNOB	093035	EA	1
41	INNER TOP	098041	EA	1
42	SEALING DISC	080296	EA	1
43	BRICK CONVERSION RH	095007	EA	1
44	BRICK CONVERSION LH	095008	EA	1
45	CONTROL KNOB	130093	EA	1
46	BACK BRICK	095024	EA	1
54	ASHPIT FACIA HINGE CLIP	098059	EA	1