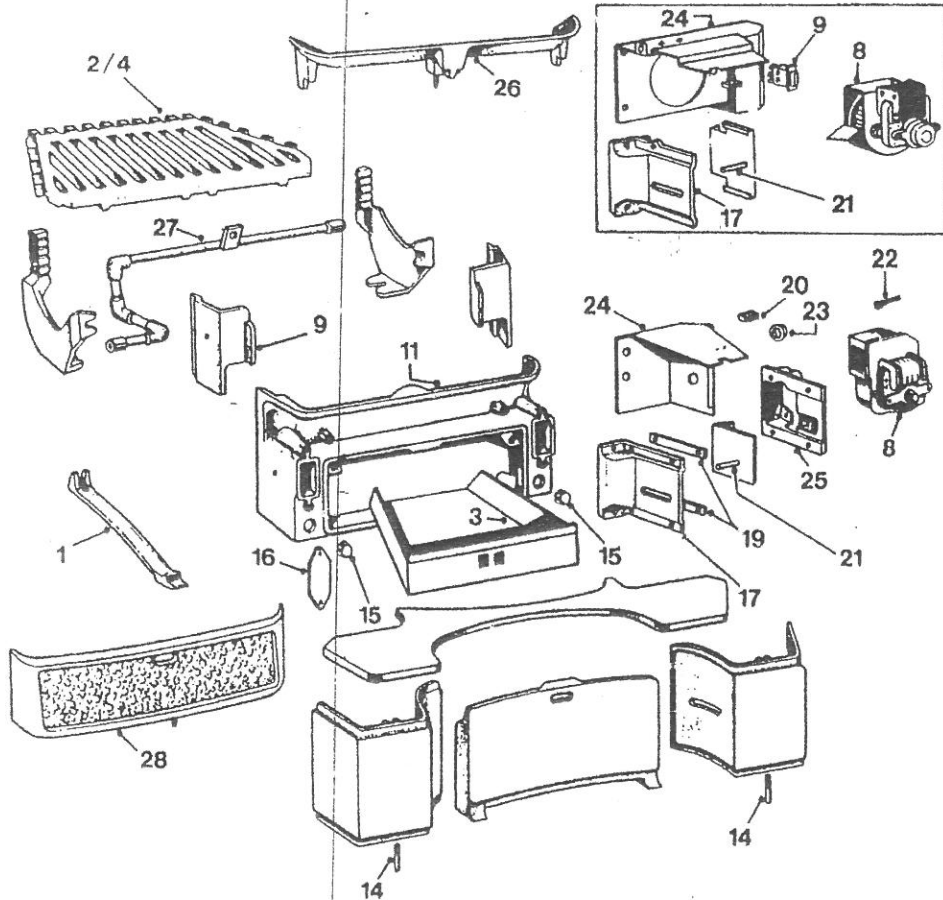


Parkray Fan Fire & Parkray Fan Fire (with two speed fan)

PARKRAY FAN FIRE



SPARES-FAN FIRE

| ITEM NUMBER | DESCRIPTION | PART NUMBER | UNIT | PACK SIZE |
|-------------|--------------------------------|-------------|------|-----------|
| 1 | CASTING-OPERATING TOOL-FINISH | 019482SB | EA | 1 |
| 2 | CASTING BOTTOMGRATE 16"INSET | 079054 | EA | 1 |
| 3 | ASHPAN (SW) 16"INSETS | 079010 | EA | 1 |
| 4 | BOTTOM GRATE CHROME STEEL 16" | 079009 | EA | 1 |
| 8 | FAN MOTOR UNIT FANFIRE | 096020 | EA | 1 |
| 8 | FAN MOTOR UNIT FANFIRE | 096050 | EA | 1 |
| 9 | BAFFLE LH FANFIRE | 096012 | EA | 1 |
| 9 | SWITCH 3 WAY FANFIRE | 096048 | EA | 1 |
| 11 | INNER FRONT ASSY FANFIRE | 096046 | EA | 1 |
| 11 | INNER FRONT ASSY FANFIRE | 096058 | EA | 1 |
| 14 | HOB LEG FANFIRE | 096025 | EA | 1 |
| 15 | PLUG BUTTON FANFIRE | 013943 | EA | 1 |
| 16 | COVER PLATE FANFIRE | 096019 | EA | 1 |
| 17 | DUCT SINGLE SPEED FANFIRE | 096014 | EA | 1 |
| 17 | DUCT FANFIRE | 096051 | EA | 1 |
| 19 | SPACE BLADE FANFIRE | 096017 | EA | 1 |
| 20 | TERM BK.10-EK7301PE/EL1512L151 | 096021 | EA | 1 |
| 20 | TERMINAL BLOCK-2 WAY FANFIRE | 096054 | EA | 1 |
| 21 | DAMPER LEVER FANFIRE | 096024 | EA | 1 |
| 21 | DAMPER LEVER FANFIRE | 096049 | EA | 1 |
| 22 | CABLE PROTECTION SLEEVE FANFIR | 096030 | EA | 1 |
| 23 | CLAMP MAINS LEAD BLACK NYLON | 096018 | EA | 1 |
| 24 | FAN SHIELD FANFIRE | 096026 | EA | 1 |
| 24 | FAN SHIELD FANFIRE | 096045 | EA | 1 |
| 25 | MOTOR BRKT FANFIRE | 096015 | EA | 1 |
| 26 | SUB ASSY DEEPENING BAR 16"INS. | 079194 | EA | 1 |
| 27 | GAS BURNER FANFIRE | 096029 | EA | 1 |
| 28 | SUB ASSY OVERNIGHT PLATE BLACK | 079193 | EA | 1 |
| 999 | FAN MOTOR HARNESS FANFIRE | 096055 | EA | 1 |