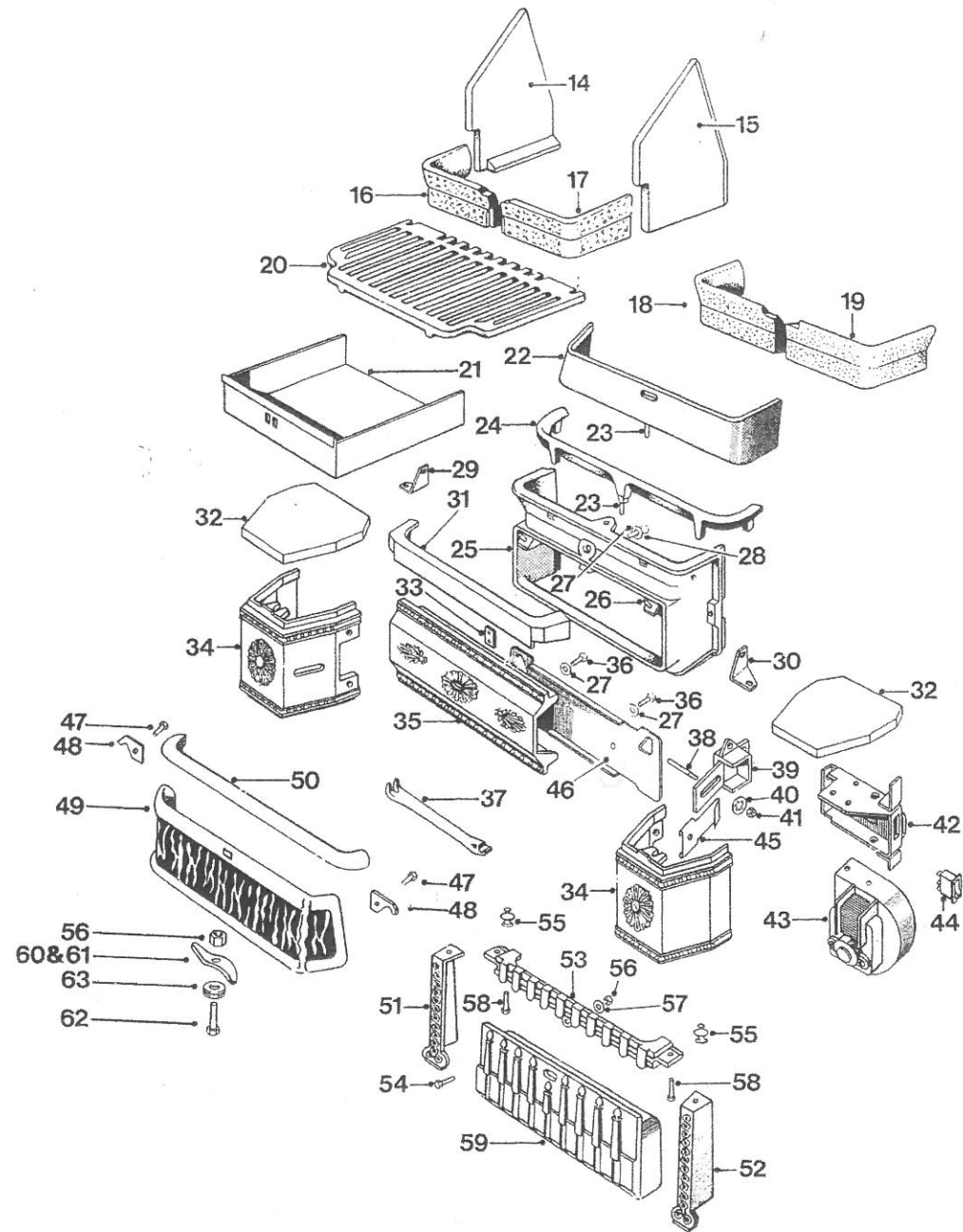


Under  
This  
Sheet.



Parkray 30

Parent Part: 024134

SORTED SINGLE LEVEL BOM EXPLOSION

Parent Part: 024134

PANKRAY 30 WITH ZEPHYR FIRE 98

COMP-PART	SEQ-No	DESCRIPTION	QTY-PER	CONFIG UM CODE
760004	5	NUT-M6 HEX FULL		--
113066	6	SUB ASSY DEEPENING BAR	1.0000	EA
113062SB	8	INNER FRONT FINISHED	1.0000	EA
014122	9	BISSEL PIN-1"X1/4"	1.0000	EA
113186	10	BRICK-LH SIDE P29 & 30ZEPHYR	2.0000	EA
113187	11	BRICK-RH SIDE P29 & 30 ZEPHYR	1.0000	EA
113199	12	BRICK-LH FRONT P24/29/30ZEP(60)	1.0000	EA
113200	13	BRICK-RH FRONT P24/29/30ZEP(60)	1.0000	EA
113068	14	CASTING BOTTOMGRATE P29 & 30	1.0000	EA
113067	15	ASHPAN 29 & 30 & ZEPHYR (SW)	1.0000	EA
058064	18	EXT PL. PIN M8 SCREW MM	1.0000	EA
113174BZ	19	TRIM FINISHED ZEPHYR	2.0000	EA
130306	20	SIDE BAFFLE RADIATION SHIELD	1.0000	EA
113172SB	21	ASHPIT COVER BAFFLE PNT-ZEP PT	1.0000	EA
113146BZ	22	ASHPIT COVER FINISHED ZEPHYR	1.0000	EA
FF0006	23	SCREW-M6X10MM MS HX HD ZP	1.0000	EA
805001	24	WASHER-M6 MS PLAIN FORM D LGHT	1.0000	EA
113182BZ	25	POD FINISHED ZEPHYR	3.0000	EA
113175BZ	26	POD COVER FINISHED ZEPHYR	1.0000	EA
113178SB	27	LH POD FIXING BRKT PNTD PT	1.0000	EA
113179SB	28	RH POD FIXING BRKT PNTD PT	1.0000	EA
113165SB	29	AIR CONTROL SLIDE PNTD-ZEP PT	1.0000	EA
113166CH	30	AIR CONTROL LEVER FINISHED-ZEP	1.0000	EA
760003	31	NUT-M5 HEX FULL	1.0000	EA
827003	32	WASHER-S/PROOF M5 EXT TEETH	1.0000	EA
113149	33	CASTING FAN OUTLET ZEPHYR	1.0000	EA
019482SB	34	CASTING-OPERATING TOOL-FINISH	1.0000	EA
096050	35	FAN MOTOR UNIT FANFIRE QC	1.0000	EA
096048	36	SWITCH 3 WAY FANFIRE QC	1.0000	EA
701033	37	SCREW-M6X20MM MS HX HD	1.0000	EA
113215SB	38	FAN HOUSING ASSY PNTD ZEPHYR	1.0000	EA
138005SB	39	DAMPER BLADE-PNTD	1.0000	EA
138007SB	40	DAMPER HANDLE PNTD PT	1.0000	EA
701032	41	SCREW-M6X16MM MS HX HD BLACK	1.0000	EA
138006SB	44	CASTING DAMPER FRAME FINISHED	1.0000	EA
138001	45	BOILER PNTD P30	1.0000	EA
138003SB	46	CASTING FL ACS FRAME FINISHED	1.0000	EA
138004SB	48	FLUE CLEANING DOOR-PNTD	1.0000	EA
138016	49	HOOK - FLUE ACCESS DOOR	1.0000	EA
138002SB	50	CASTING BTM GTE FRAME FINISHED	1.0000	EA