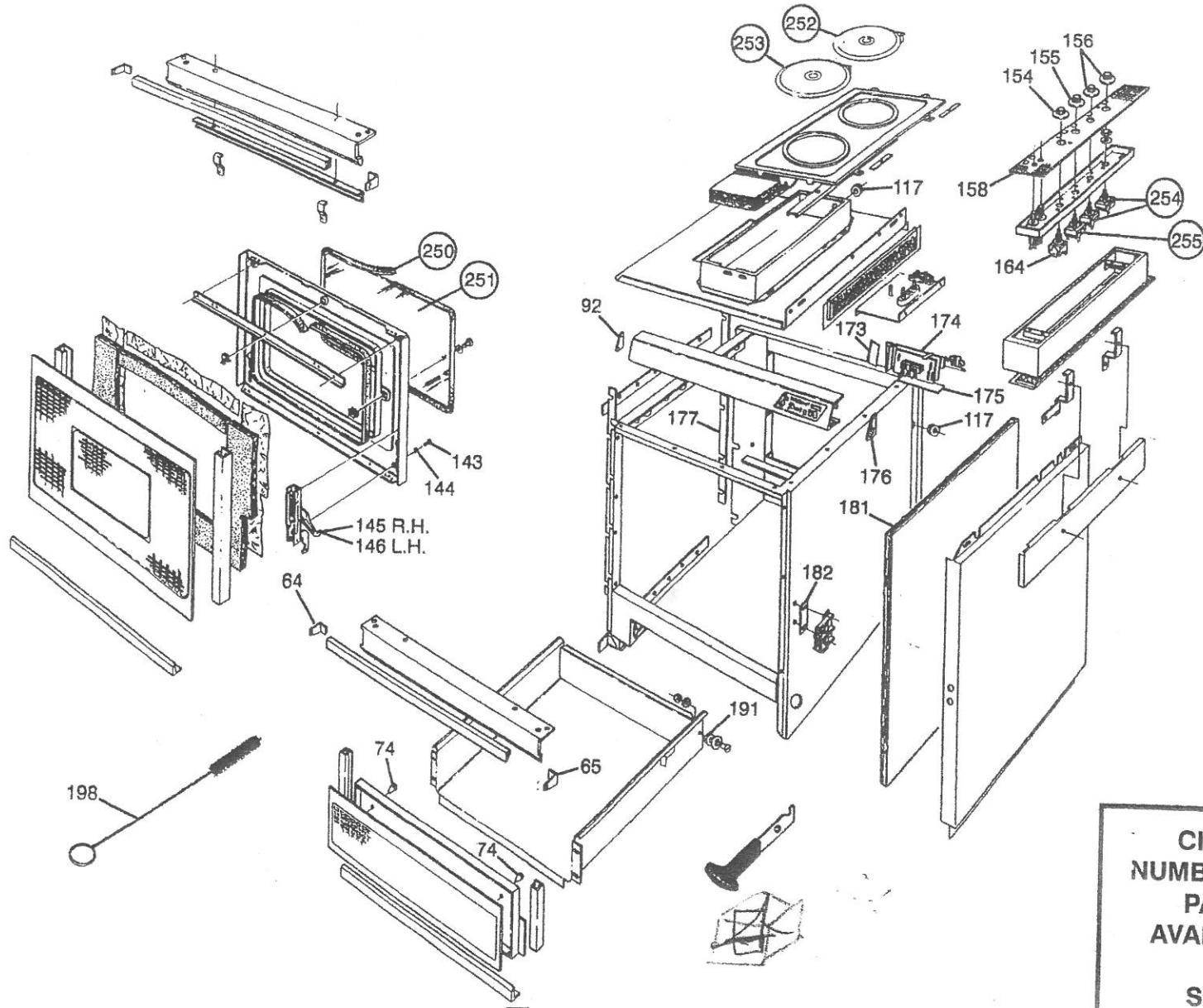
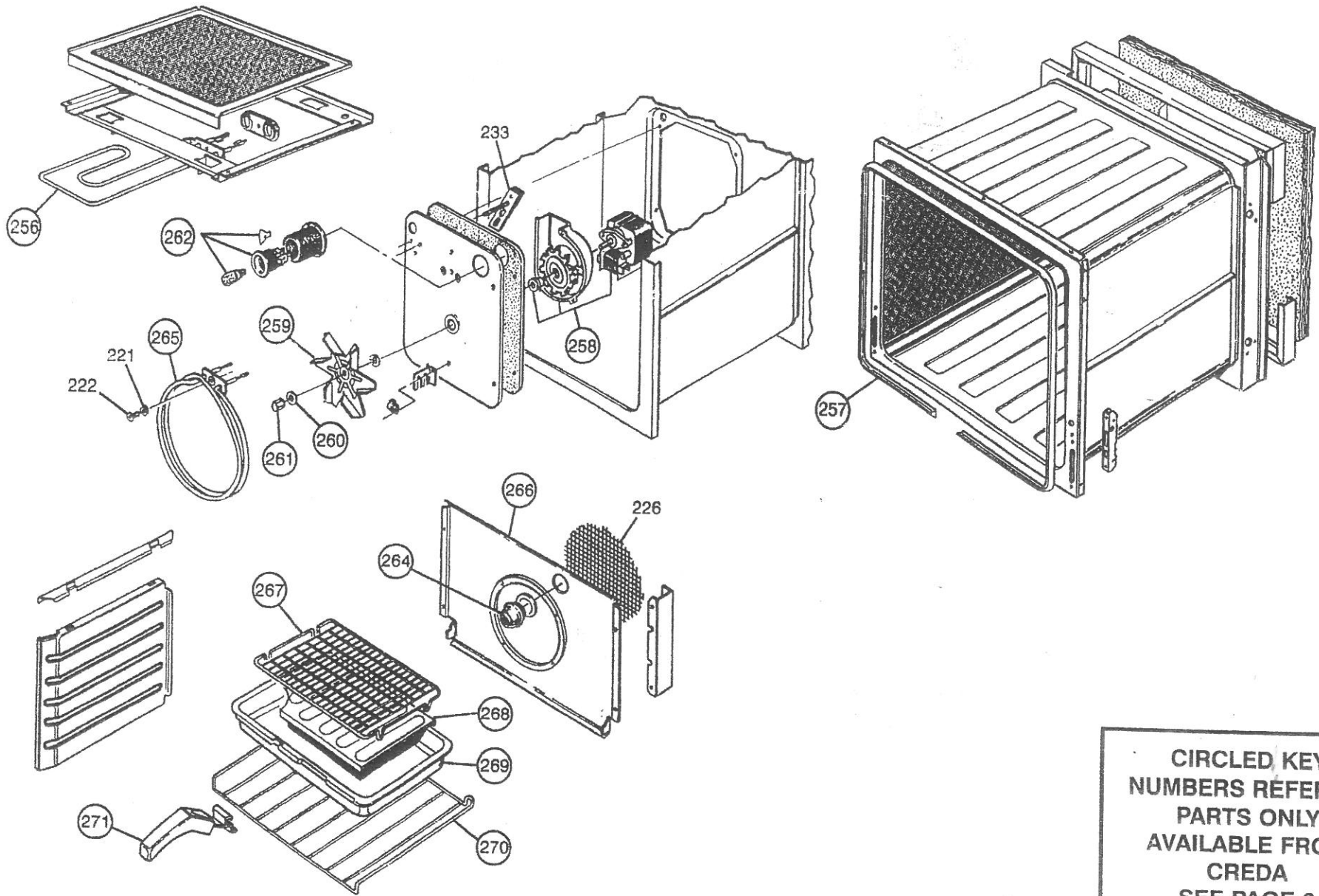


# PARKRAY DUET



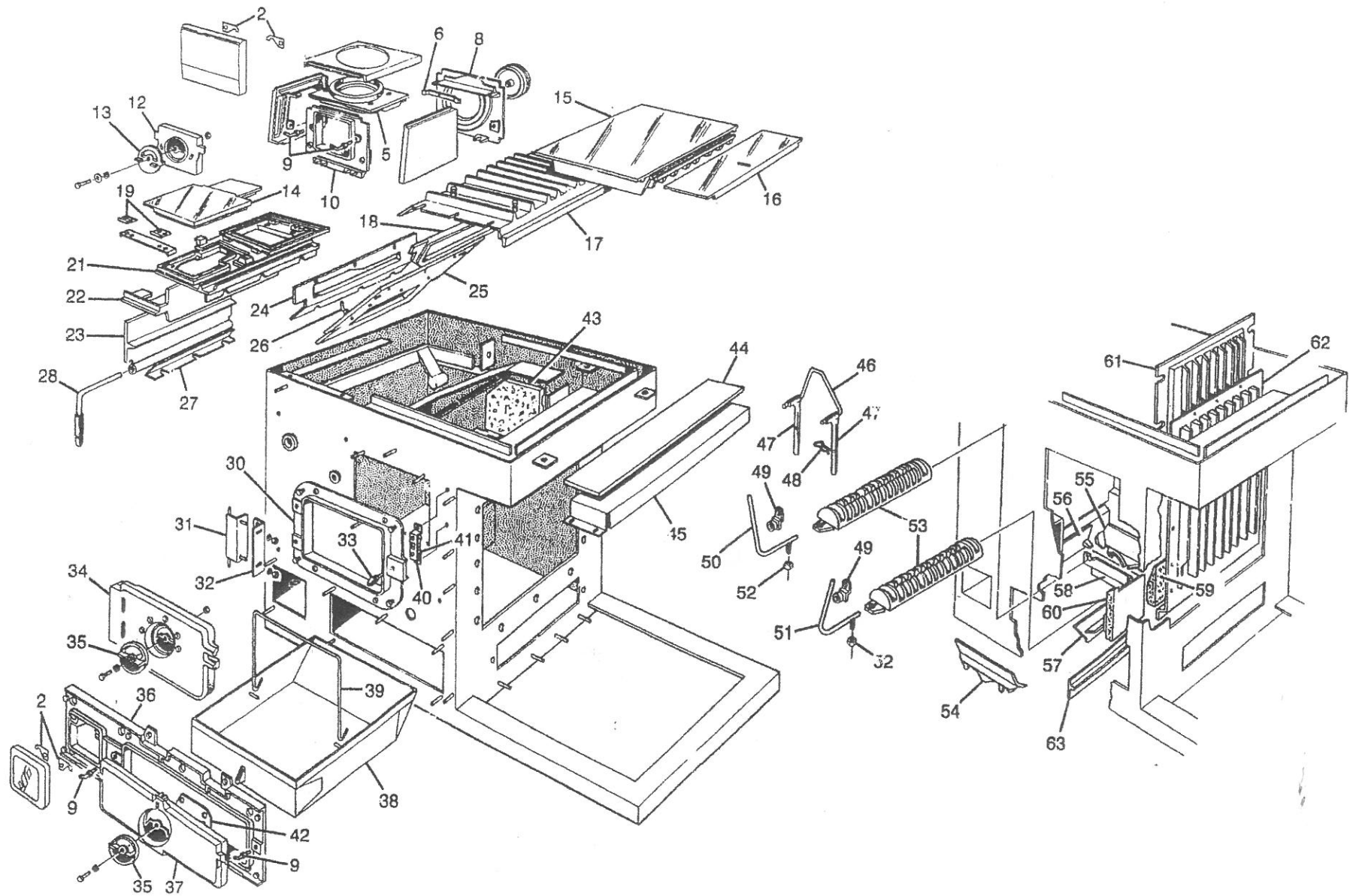
CIRCLED KEY  
NUMBERS REFER TO  
PARTS ONLY  
AVAILABLE FROM  
CREDA  
SEE PAGE 6

# PARKRAY DUET

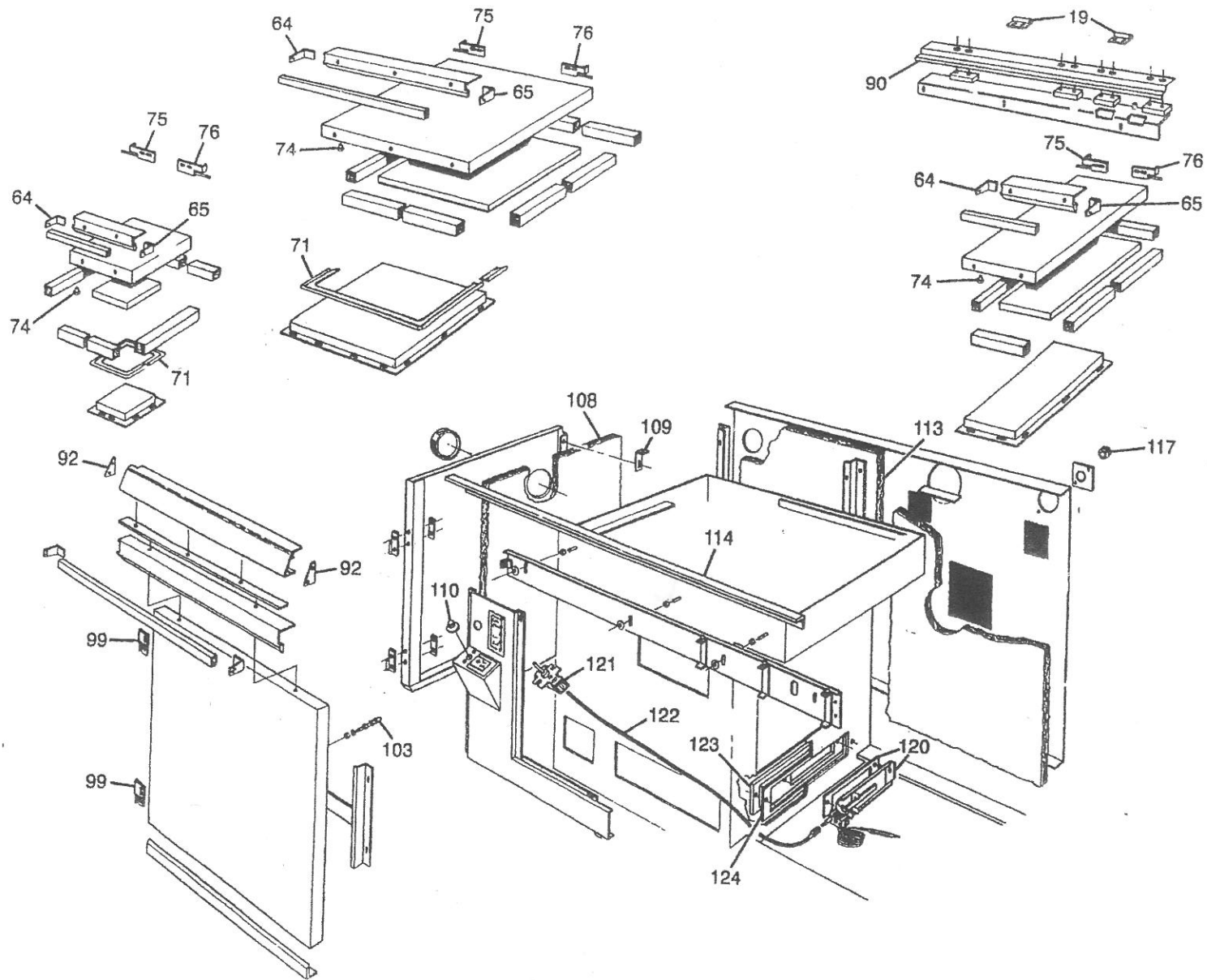


CIRCLED KEY  
NUMBERS REFER TO  
PARTS ONLY  
AVAILABLE FROM  
CREDA  
SEE PAGE 6

# PARKRAY DUET



# PARKRAY DUET



## SPARES DUET

ITEM NUMBER	DESCRIPTION	PART NUMBER	UNIT	PACK SIZE
2	BRACKET ASHPIT COVER	079209	EA	4
5	CASTING-TOP DUET	136250	EA	1
6	STRAP DUET	136150	EA	1
8	CASTING-BACK DUET	136249	EA	1
9	HOOK - FLUE ACCESS DOOR	138016	EA	4
10	CASTING-FLUE CONN FRONT DUET	136101	EA	1
12	CASTING-FLUE DOOR-PNTD DUET	136102SB	EA	1
13	AIR CONTROL WHEEL-FINISHED	136374SB	EA	1
14	CASTING LH HOB DUET	136106	EA	1
15	CASTING CENTRE HOB DUET	136104	EA	1
16	CASTING RH HOB DUET	136105	EA	1
17	CASTING FIREBOX TOP DUET	136114	EA	1
18	CASTING BOILER FLUE PL COVER	136112SB	EA	1
19	HINGE HALF CHROME FEMALE	136711	EA	6
21	CASTING-FLUE/HOT PLT LOCN-PNTD	136292SB	EA	1
22	CASTING-DAMPER DUET	136108	EA	1
23	SUB ASSY-DAMPER BLADE	136519	EA	1
24	CASTING DAMPER FRAME DUET	136113	EA	1
25	CASTING-BOILER FLUE PLT-PNTD	136111SB	EA	1
26	SUB ASSY ASHPIT HOOK	112102	EA	2
27	DAMPER SEALING STRIP	136241	EA	1
28	DAMPER HANDLE ASSY-SPARES	136518	EA	1
30	CASTING FIREBOX DOOR FRAME	136131SB	EA	1
31	SUB ASSY HINGE PLATE	136248SB	EA	1
32	HINGE ANGLE BRKT FINISHED	136136SB	EA	1
33	SUB ASSY DOOR CATCH VARIOUS	112101	EA	1
34	CASTING FIREBOX DOOR DUET	136132SB	EA	1
35	SUB ASSY AIR CONTROL WHEEL	136520	EA	2
36	CLEANING HOLE DOOR-FIN DUET	136137SB	EA	1
36	CASTING ASHPIT COVER FRAME	136139SB	EA	1
37	CASTING-ASHPIT COVER-PNTD	136138SB	EA	1
38	ASHPAN ASSY DUET	136147SB	EA	1
39	ASHPAN HANDLE-PNTD	136360SB	EA	1
40	HOUSING PNTD	136373SB	EA	1
41	ROLLER CATCH P N 90581 DUET	136407	EA	1
42	AIR CONTROL COVER	136322	EA	1
43	BRICK-BACK DUET (9)	136118	EA	1
44	HEAT INSUL BOARD 10X468X88	136401	EA	1
45	HEAT OUTLET COVER-PNTD	136400SB	EA	1
46	SHAKER HANDLE	136144	EA	1
47	SUB ASSY DE ASH UPPER BAR	136382SB	EA	2
48	RETAINING PIN	014199	EA	2
49	CASTING DE ASH GUIDE DUET	136128	EA	2
50	DE ASH LOWER BAR LH ASSY	136141SB	EA	1
51	DE ASH LOWER BAR RH ASSY	136140SB	EA	1
52	NUT-M10 HEX FULL	760006	EA	2
53	CASTING GRATE DUET	136123	EA	2
54	CASTING FRONT PLATE COVER PL	136122	EA	1
55	CASTING BACK GRATE COVER PL	136121	EA	1
56	CASTING LH GRATE SIDE PLATE	136120	EA	1

## SPARES DUET

ITEM NUMBER	DESCRIPTION	PART NUMBER	UNIT	PACK SIZE
57	CASTING RH GRATE SIDE PLATE	136119	EA	1
58	CASTING REAR GRATE BRKT DUET	136127	EA	1
59	BRICK-LH BOTTOM DUET (7)	136124	EA	1
60	BRICK-RH BOTTOM DUET (7)	136125	EA	1
61	CASTING OVEN FLUE INNER DUET	136115	EA	1
62	CASTING HEAT EXCHANGER DUET	136116	EA	1
63	CASTING BOTTOM BRICK BRKT DUET	136117	EA	1
64	HOB CVR+WD HDLE RH BRKT-WHITE	136130	EA	4
64	HOB CVR+WD HDLE RH BRKT-BROWN	136639	EA	4
65	HOB CVR+WD HDLE LH BRKT-WHITE	136129	EA	4
65	HOB CVR+WD HDLE LH BRKT-BROWN	136638	EA	4
71	TADPOLE TAPE-25MT/RL 8X11 DUET	136314	EA	2
74	RUBBER BUFFER	014216	EA	6
75	HINGE LH CHROME HALF MALE DUET	136280	EA	3
76	HINGE RH CHROME HALF MALE DUET	136281	EA	3
90	BACK TRIM FINISHED	136185CH	EA	1
92	LHS TRIM END CAP-PLAIN- WHITE	136569	EA	3
92	LHS TRIM END CAP-PLAIN- BROWN	136592	EA	3
99	HINGE HALF	136290	EA	2
103	SUB ASSY-STRIKER PIN-SPARES	136535	EA	1
108	INSULATION PAD 25X536X790	136580	EA	1
109	BRACKET LH SIDE PANEL SUPPORT	136247	EA	1
110	THERM CONTROL KNOB DUET	136288	EA	1
113	INSULATION PAD 25X560X773	136582	EA	1
114	FRONT TRIM CKR FINISHED	136199CH	EA	1
117	GROMMET SR 2700 TPR 15100	136405	EA	3
120	THERMOSTAT ASSY DUET	136157	EA	1
121	THERM RATCHET ASSY DUET	136528	EA	1
122	FLEXIBLE DRIVE DUET	136530	EA	1
123	CASTING-THERM MOUNTING PLATE	136277	EA	1
124	GASKET-THERM MOUNTING PLATE	136396	EA	1
143	SCREW-M5X12MM MS CSK REC	014230	EA	4
144	WASHER-FIBRE-5.2X11.0X0.8-BLK	014229	EA	4
145	HINGE ASSY RH DUET	136310	EA	1
146	HINGE ASSY LH DUET	136309	EA	1
154	CONTROL KNOB-GREY DUET	136282	EA	1
154	CONTROL KNOB-BROWN DUET	136283	EA	1
155	GRILL CONTROL KNOB-GREY DUET	136284	EA	1
155	GRILL CONTROL KNOB-BROWN DUET	136285	EA	1
156	CONTROL KNOB-GREY DUET	136286	EA	2
156	CONTROL KNOB-BROWN DUET	136287	EA	2
158	GLASS PANEL-WHITE DUET	136255	EA	1
158	GLASS PANEL-BROWN DUET	136256	EA	1
164	THERMOSTAT DUET	136300	EA	1
165	PUSH BUTTON SWITCH-GREY T/RT	136301	EA	2
165	PUSH BTN SWITCH BROWN T/RIGHT	136302	EA	2
173	INSULATION-LED SIDE	136376	EA	1
174	LED DISPLAY UNIT/MTNG PLT ASSY	136303	EA	1
175	INSULATION-LED BOTTOM	136377	EA	1
176	RHS TRIM END CAP-LOUVRE -WHITE	136568	EA	1
176	RHS TRIM END CAP-LOUVRE- BROWN	136593	EA	1
177	GASKET-BACK SEALING	136398	EA	1

**SPARES DUET**

ITEM NUMBER	DESCRIPTION	PART NUMBER	UNIT	PACK SIZE
181	INSULATION PAD 25X536X697	136579	EA	1
182	INSULATION PAD (SPARES ONLY)	136295	EA	1
191	WASHER-M6 MS PLAIN FORM D LGHT	805001	EA	8
198	FLUE BRUSH DUET	136443	EA	1
221	WASHER-M5-SINGLE COIL SPRING	014241	EA	1
222	SCREW-M5X10-REC PAN HD-NP	014240	EA	1
226	MESH GRILL DUET	136464	EA	1
233	OVEN SENSOR PT500626002	136304	EA	1

**SPARES DUET**

**THE FOLLOWING PARTS ARE ONLY AVAILABLE FROM CRED A**

ITEM NUMBER	DESCRIPTION	PART NUMBER	CRED A PART NUMBER
250	GLASS PANEL SEAL DUET	136483	6222032
251	GLASS PANEL INNER DUET	136482	6222034
252	ELECTRIC HOB (SMALL) 1.5KW	136561	6224567
253	ELECTRIC HOB (LARGE) 2KW DUET	136562	6224569
254	ENERGY REG RC2113-CRED A6224264	136298	6224264
255	ENERGY REGULATOR RC 1213 DUET	136299	6222802
256	GRILL ELEMENT ASSY DUET	136470	6224766
257	DOOR SEAL	136733	6226088
258	OVEN MOTOR/FAN ASSY-981124001	136577	6224778
259	IMPELLER-CRED A 4810-02022	136722	6221956
260	WASHER-CRED A 590080784	014299	9980499
261	NUT-DOME-CRED A 481102006	014298	6222073
262	LAMPHOLDER	136723	6223098
262	LAMP	136724	C18872
264	LAMP GLASS-CRED A 4810-SD003V	136572	6227353
265	OVEN ELEMENT DUET	136459	6224745
266	OVEN BACK PANEL INNER	136463	6222232
267	GRILL PAN GRID DUET	136449	6222729
268	ANTI-SPLASH TRAY DUET	136450	6222175
269	GRILL PAN BODY DUET	136447	6226843
270	ROD SHELF DUET	136468	6221944
271	GRILL PAN HANDLE DUET	136448	6226841

AVAILABILITY OF PARTS LISTED ABOVE CAN ONLY BE ADVISED BY CONTACTING CRED A SPARES DEPARTMENT.

BLYTHE BRIDGE  
 STOKE-ON-TRENT  
 STAFFS S711 9LN  
 TEL: 01782 388300  
 FAX: 01782 388289