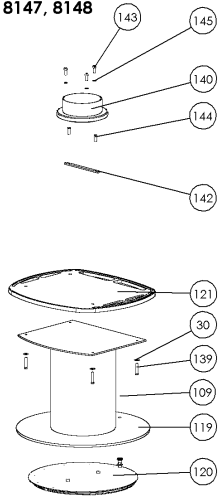
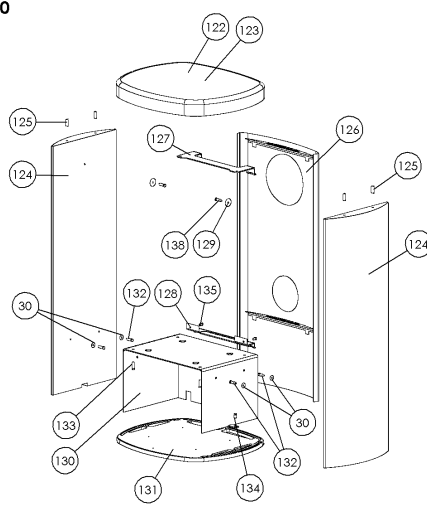


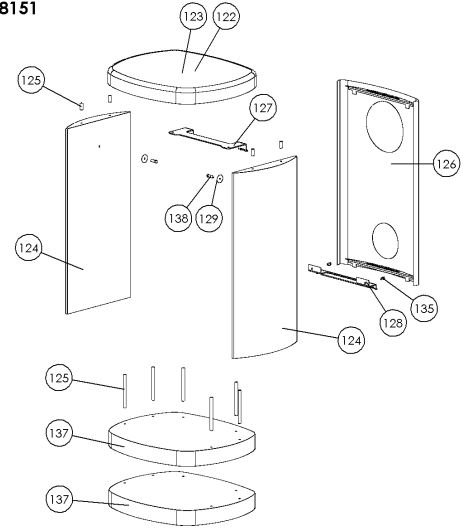
8139, 8141, 8146, 8147, 8148



8150



8151



1	Filterreguleringsskive	KDU	17.05.06
2	Filterstøbe vinkel 8150	KDU	17.05.06
Rev.	Revisiøne	Signat	Dato

Title		Construction	KDU	17.05.06
8100 Exploded view		Released:		
Material:		Format:	A2	
Weight:		Scale:	-	
Model no.:		Remark:	-	
Drawing type:	Exploded drawing	Drawing no.:	side 2 of 2	
Location of file:	www.morse.dk	morsø LAMPESKÅP		
		8100-501 x		

The drawing is Morse Jernstøberi A/S property and must not be sold, lent or copied without any written authorization from the company.