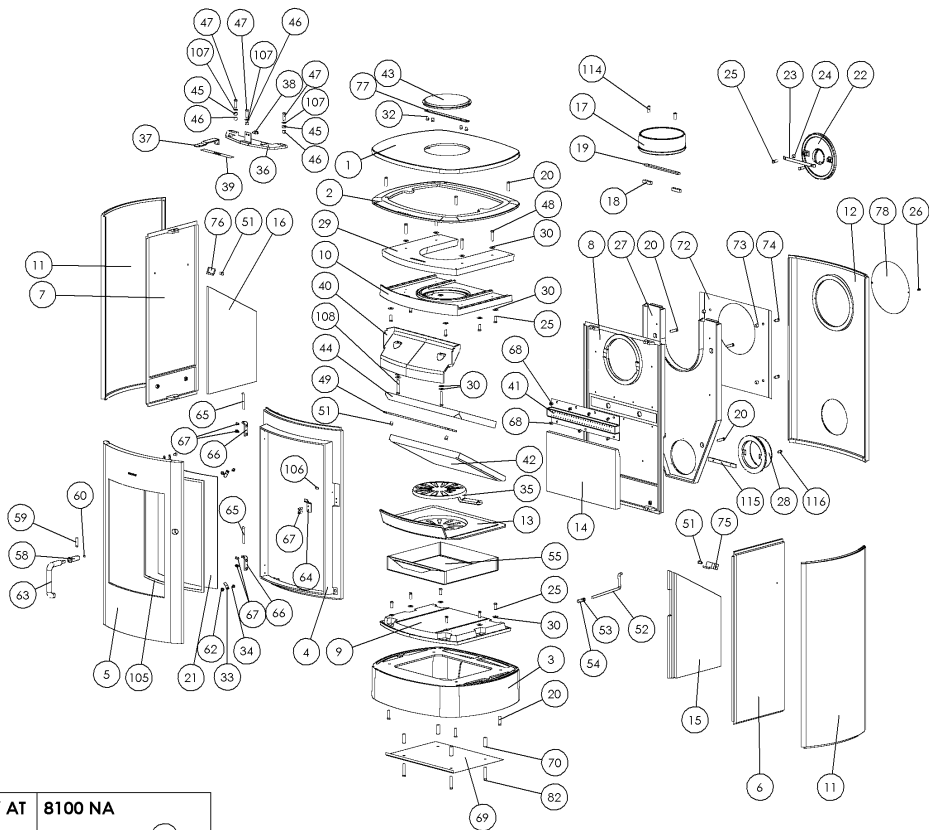
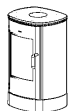
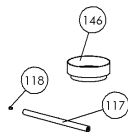
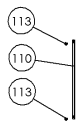


8140

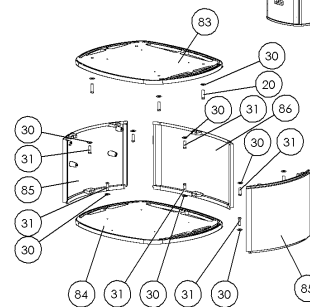
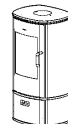


8100 DIN PLUS / AT

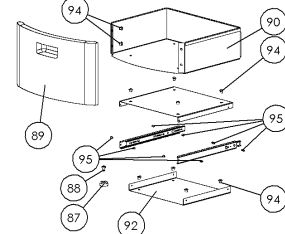
8100 NA



8142



8100 Skuffesektion/Log drawer



1	Fjernet pos. 811 proektiver.	RSV	31.03.2007
w	Fjernet pos. 111, 112, 60 og 71 v. fæder II DIN oven.	RSV	01.02.2007
v	1 Fløst regenslaphos.	KDU	07.12.06
v	1 Fløst skæve ved 8150.	KDU	06.11.06
1	1 Fløst model 8157c.	KDU	20.09.06
1	1 Fløst model 8150 & 8151.	KDU	17.05.06

Title:		C:Construction	
8100 Exploded view		KDU 30.05.05	
Material:		Released:	
Weight:		Format: A2	
Model no.:		Scale:	
Drawing type:		Barnoz:	
Location of file:		Drawing no. 8100-501 x	
		Side 1 of 2	

This drawing is Morse Jernstøbet A/S' property and must not be sold, lent or copied without any written authorization from the company.