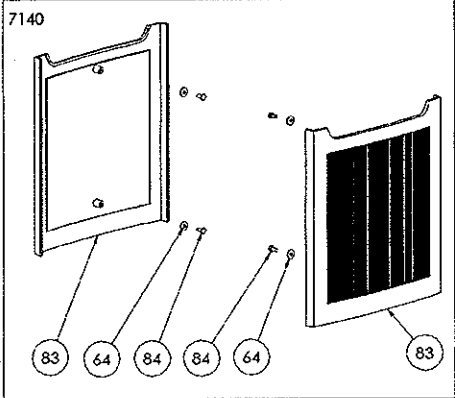
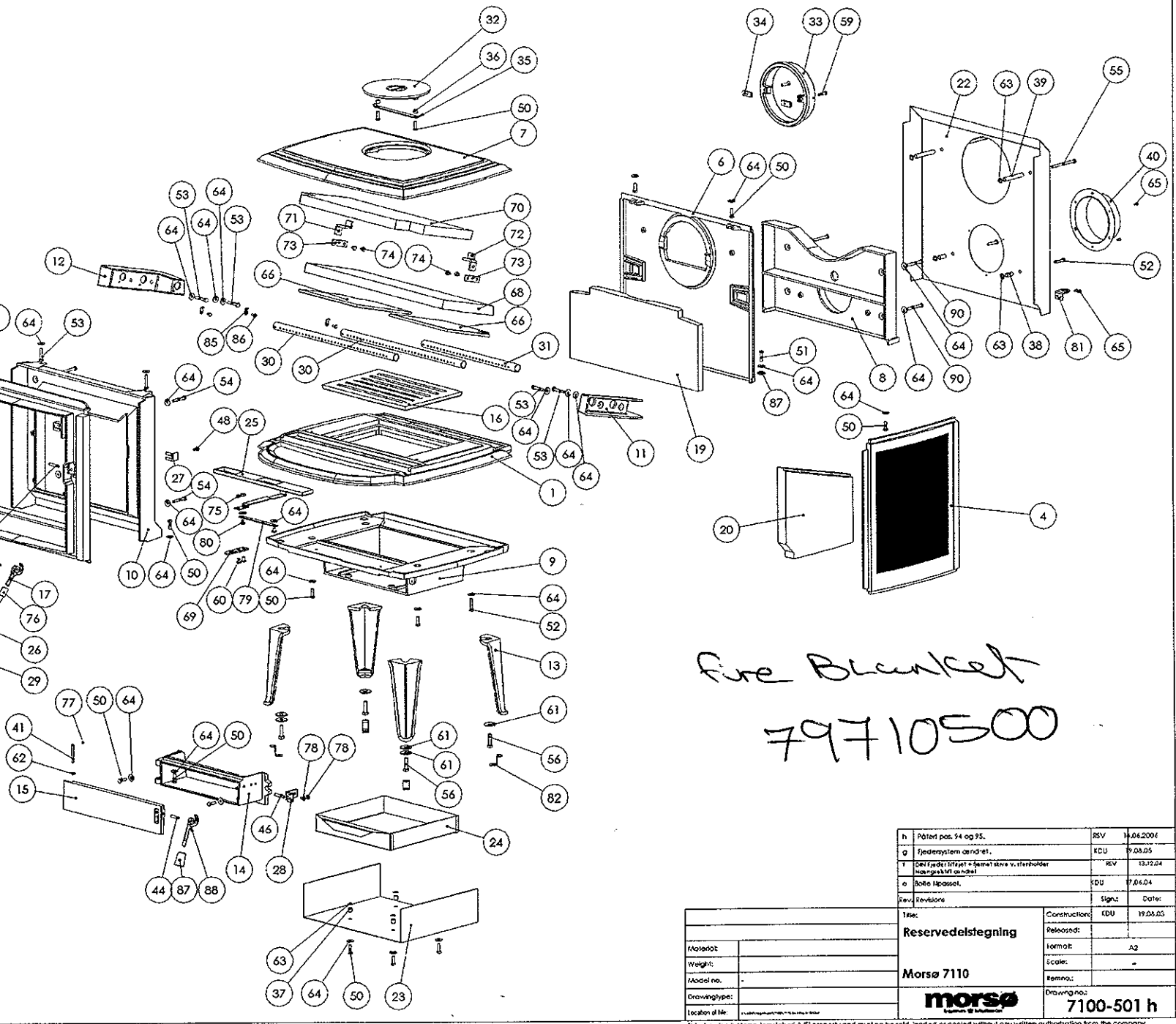


323 w } Glass
255 H }



7140



Fire Blanket
79710500

h	Påført pos. 94 og 95.	RSV	14.06.2006
g	Fjedersystem ændret.	KDU	9.04.05
f	Det færdige tilføjede færdigt stive v. stærholder Norgeskiftet ondel	REV	13.12.04
e	Bofte tilpasset.	KDU	07.04.04
Rev.	Revisions	Sign:	Date:

Title:		Construction:	
Reservedelstegning		KDU 19.06.05	
Released:		Format:	
Morsø 7110		A2	
Scale:		-	
Drawing no.:		Drawing no.:	
7100-501 h		7100-501 h	

This drawing is Morsø Jernstøberi A/S' property and must not be sold, loaned or copied without any written authorization from the company.

7100 - Reservedelsliste

* Revideret 14.06.2006 / RSV

POS.NR.	PARTS	BESKRIVELSE	7110 EN Viking 647105xx	7140 EN Ribber 647142xx	7110 UK Viking 647109xx
1	Base plate	Bundplade 7110	447101xx	447101xx	447101xx
2	Front frame	Forramme 7110	447102xx	447102xx	447102xx
3	Door	Fyrdør 7110	447103xx	447103xx	447103xx
4	Side plate, right	Sideplade højre	447119xx	447123xx	447119xx
5	Side plate, left	Sideplade venstre	447120xx	447122xx	447120xx
6	Rear plate	Bagplade 7110	447106xx	447106xx	447106xx
7	Top plate	Topplade 7110	447107xx	447107xx	447107xx
8	Rear air duct	Luftkanal bag 7110	44710800	44710800	44710800
9	Button air duct	Luftkanal bund 7110	447109xx	447109xx	447109xx
10	Front air duct	Luftkanal front 7110	447110xx	447110xx	447110xx
11	Secondary air duct, right	Luftkanal sekundær - højre	34711100	34711100	34711100
12	Secondary air duct, left	Luftkanal sekundær - venstre	34711200	34711200	34711200
13	Leg	Ben 7110	447125xx	447125xx	447113xx
14	Frame for ash door	Ramme f. askedør 7110	447114xx	447114xx	447114xx
15	Ash door	Askedør 7110	447115xx	447115xx	447115xx
16	Grate	Rist 7110	34711600	34711600	34711600
17	Locking device	Lukkehage 7110	797117xx	797117xx	797117xx
18	Ceramic glass	Keramisk glas 7110	79710000	79710000	79710000
19	Brick, back	Sten bag 7110	79710100	79710100	79710100
20	Brick, side, right	Sten side - højre 7110	79710200	79710200	79710200
21	Brick, side, left	Sten side - venstre 7110	79710300	79710300	79710300
22	Radiant shielding, rear	Stråleskærm bag 7110	547122xx	547122xx	547122xx
23	Radiant shielding, bottom	Stråleskærm bund 7110	547102xx	547102xx	547102xx
24	Ash tray	Askeskuffe 7110	71710300	71710300	71710300
25	Primary damper	Primær spjæld 7110	71710400	71710400	71710400
26	Handle	Greb 7110	71710500	71710500	71710500
27	Brick fitting	Holder for sten 7110	71710600	71710600	71710600

7100 - Reservedelsliste

* Revideret 14.06.2006 / RSV

POS.NR.	PARTS	BESKRIVELSE	7110 EN Viking 647105xx	7140 EN Ribber 647142xx	7110 UK Viking 647109xx
55	Screw	M6x80 Din931 - sort	73168000	73168000	73168000
56	Screw	M8X30 Din933 - sort	731830	731830	731830
57	Screw	M3x08 Din912	---	---	---
58	Screw	M5x08 Din7985 - fzb	742508	742508	742508
59	Screw	M6x25 Din965A - fzb	743625	743625	743625
60	Screw	M6x10 Buttonhead - sort	73861000	73861000	73861000
61	Washer	30x10,5x2,5 art9021 skive	79189800	79189800	79189800
62	Washer	6mm Din125A - messing	746006	746006	746006
63	Washer	06mm Vistop klemskive	746206	746206	746206
64	Washer	6mm Din9021 - fzb	791891	791891	791891
65	Screw	3,5 x 9,5 Din7981 pladeskrue - fzb	---	---	---
66	Baffle plate, cast iron	Røgledeplade 7110	34711800	34711800	34711800
67	Tightening tape for glass	Glasbånd 8x3mm	79074500	79074500	79074500
68	Insulation	Isoleringsmåtte 7110	79710500	79710500	79710500
69	Primary handle	Primær greb 7110	71711161	71711161	71711161
70	Baffle plate, upper	Varmeskjold vermiculit 7110	79710400	79710400	79710400
71	Stop fitting, left, for baffle plate	Stopbeslag venstre 7110	71711200	71711200	71711200
72	Stop fitting, right, for baffle plate	Stopbeslag højre 7110	71711300	71711300	71711300
73	Fitting for baffle plate	Fladjern for stopbeslag	71711400	71711400	71711400
74	Screw	M6x06 Din933 - sort	731606	731606	731606
75	Nuts	M6 Møtrik Din934 - sort	735006	735006	735006
76	Adaptor for handle	Overgangsstykke til greb	---	This item is included in 17	---
77	Screw	04 x 05 PINOLSKRUE DIN916-45H	791824	791824	791824
78	Screw	M5x10 Buttonhead - sort	73851000	73851000	73851000
79	Fitting for primary handle	Styr for primærgreb	717115xx	717115xx	717115xx
80	Screw	M6x08 Buttonhead - sort	73860800	73860800	73860800
81	Fitting for handle	Grebbeslag	---	---	---

7100 - Reservedelsliste

* Revideret 14.06.2006 / RSV

* * *

POS.NR.	PARTS	BESKRIVELSE	7110 EN Viking 647105xx	7140 EN Ribber 647142xx	7110 UK Viking 647109xx
82	Fitting for leg	Beslag for ben 7110	717118xx	717118xx	717118xx
83	Konv. side plate	Konvektions sideplade 7140	---	447121xx	---
84	Screw	M6x12 Din933 - sort	---	731612	---
85	Locking fitting for sek. pipe	Låsebeslag sekundær rør	71712061	71712061	71712061
86	Screw	M5x08 Din933 - A2	74150804	74150804	74150804
87	Washer	10x20x3.0 mm Skive - sort	736210	736210	736210
88		Lukkehage	791270xx	791270xx	791270xx
89	Bakelite handle 36mm	Bakelite håndtag 36mm	79118200	79118200	79118200
90	Screw	M6x50 Din931-sort			
91	Feder	Fjeder	%	%	%
92	Feder fitting	Fjederbeslag	%	%	%
93	Screw	M4 x 06 CH skrue 6KT DIN 912	%	%	%
* 94	Hinge pin	Ø5 X 60 JERNNIT RH DIN 660	74701000	74701000	74701000
* 95	Washer	04 MM HESTESKOLÅSERING DIN 67	791824	791824	791824

Top plate complete	Topplade 7110 komplet	547107xx	547107xx	547107xx
Door complete	Fyrdør 7110 komplet	547103xx	547103xx	547103xx
Ach door complete	Askedør 7110 komplet	547115xx	547115xx	547115xx

Farvekode: xx

21	Black	Sort
22	Gray	Grå