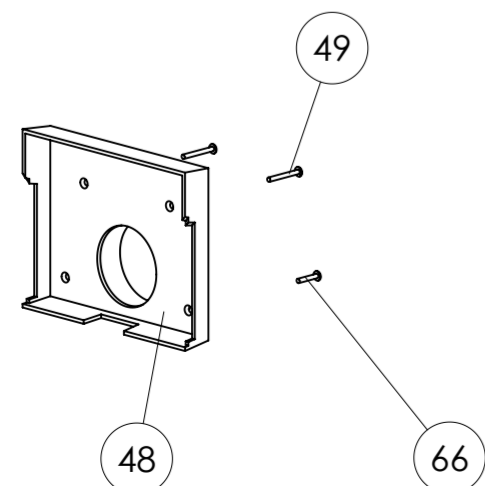


OPTIONS



| | | | |
|-----------------------------------|--|-------------------|--------------|
| c | Tilføjet fixering af brændkammer til indsatskasse. | KDU | 13.11.07 |
| b | Tilføjet pinolskrue f. lukkebeslag. | KDU | 23.10.07 |
| Rev. Revisions | | Sign.: | Date: |
| Title: | | Construction: | KDU 18.04.07 |
| Reservedelstegn. 5660 N/EN | | Released: | KDU 15.10.07 |
| Exploded draw. 5660 N/EN | | Format: | A2 |
| Morsø 5600 | | Scale: | 1:10 |
| Drawingtype: | | Itemno.: | |
| Location of file: | | Drawing no.: | |
| | | 5600-502 c | |

| | |
|-------------------|---|
| Material: | |
| Weight: | |
| Model no.: | |
| Drawingtype: | |
| Location of file: | D:\uud\4\tegninger\5600\5600 Assembly 3.DWG |

This drawing is Morsø Jernstøberi A/S' property and must not be sold, lent or copied without any written authorization from the company.

5660 N/EN - Part list

*

| Posnr. | Description2 | 5660 N/EN 645662xx 645663xx | |
|--------|------------------------------|-----------------------------------|----------|
| 1 | Buttom plate 5600 | 44565021 | |
| 2 | Front frame 5600 | 44560221 | |
| 3 | Door 5600 | 44560321 | |
| 4 | Rear plate 5600 | 44560421 | |
| 5 | Top plate 5600 | 44560521 | |
| 6 | Top plate Inclined 5600 | 44560821 | |
| 7 | Side plate right 5600 EN | 34560621 | |
| 8 | Side plate left 5600 EN | 34560721 | |
| 9 | Air Canal Top inside 5600 | 34560921 | |
| 10 | Air Canal Rear 5600 | 44561021 | |
| 11 | Air Canal Inclined 5600 | 34561121 | |
| 12 | Flue collar | 44262821 | |
| 13 | Stop bar 5600 | 71561100 | |
| 14 | Screw | 73863100 | |
| 15 | Stone Buttom 5600 | 79560500 | |
| 16 | Glas 5600 | 79560100 | |
| 17 | Stone back 5600 EN + NA | 79560200 | |
| 18 | Stone side - EN | 79560300 | |
| 19 | Vertical baffle plate | 79560700 | |
| 20 | Insert box 5600 N/EN | 71560121 | |
| 21 | Insert Frame 5600 N/EN | 54561721 | |
| 22 | Secondary draft control | 71562800 | |
| 23 | Handle sek. draught control | 71560600 | |
| 24 | Door fitting | 71810100 | |
| 25 | Hinge pin | 74701000 | |
| 26 | Screw | 73851100 | |
| 27 | Washer | 791891 | |
| 28 | Screw | 731630 | |
| 29 | Screw | 731625 | |
| 31 | Screw | 731640 | |
| 32 | Glass fitting | 54146361 | |
| 33 | Screw | 742508 | |
| 34 | Distance tube | 71562600 | |
| 35 | Distance tube | 71562700 | |
| 36 | Washer | 79189500 | |
| 37 | Screw | 743625 | |
| 38 | Distance tube | 54202500 | |
| 39 | Screw | 73860900 | |
| 40 | Screw | 79190100 | |
| 41 | Spring | 79049100 | |
| 43 | Adjustment base 5600 | 71560700 | |
| 44 | Baffleholder 5600 | 71560900 | |
| 45 | Cover f. Pilot air 5600 N-EN | 71562900 | |
| * | 46 | Screw | 73860900 |
| * | 47 | Screw | 73860900 |
| 48 | Airtight Canal 5600 | 34561221 | |
| 49 | Screw | 73865500 | |
| 50 | Screw | 731606 | |

5660 N/EN - Part list

*

| Posnr. | Description2 | 5660 N/EN 645662xx 645663xx |
|--------|-------------------------------|-----------------------------------|
| 51 | Tertiary box 5600 | 71561400 |
| 52 | Baffle plate 5600 | 79561100 |
| 53 | Screw | 73883000 |
| 54 | Axis for handle | 71562061 |
| 55 | Door handle, stainless steel | 75263600 |
| 56 | Hinge pin | 541082 |
| 57 | Screw | 73960700 |
| 58 | Closing plate | 71562121 |
| 61 | Adhesive fibre for door glass | 79074500 |
| 62 | Washer | 746006 |
| 63 | Screw | 791835 |
| 64 | Stone Buttom 5600 | 79561600 |
| 65 | Nut | |
| 66 | Screw | 73863500 |
| 67 | Screw | |
| 68 | Nut | 745010 |
| 69 | Washer | 79189400 |
| 70 | Screw | 73951600 |
| 71 | Screw | 731640 |
| | | |

Options:

| | |
|--|----------|
| | 54560200 |
| | 79561500 |
| | 54560621 |
| | 54560521 |