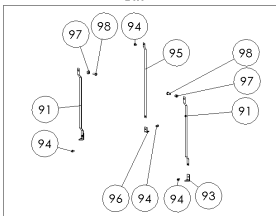
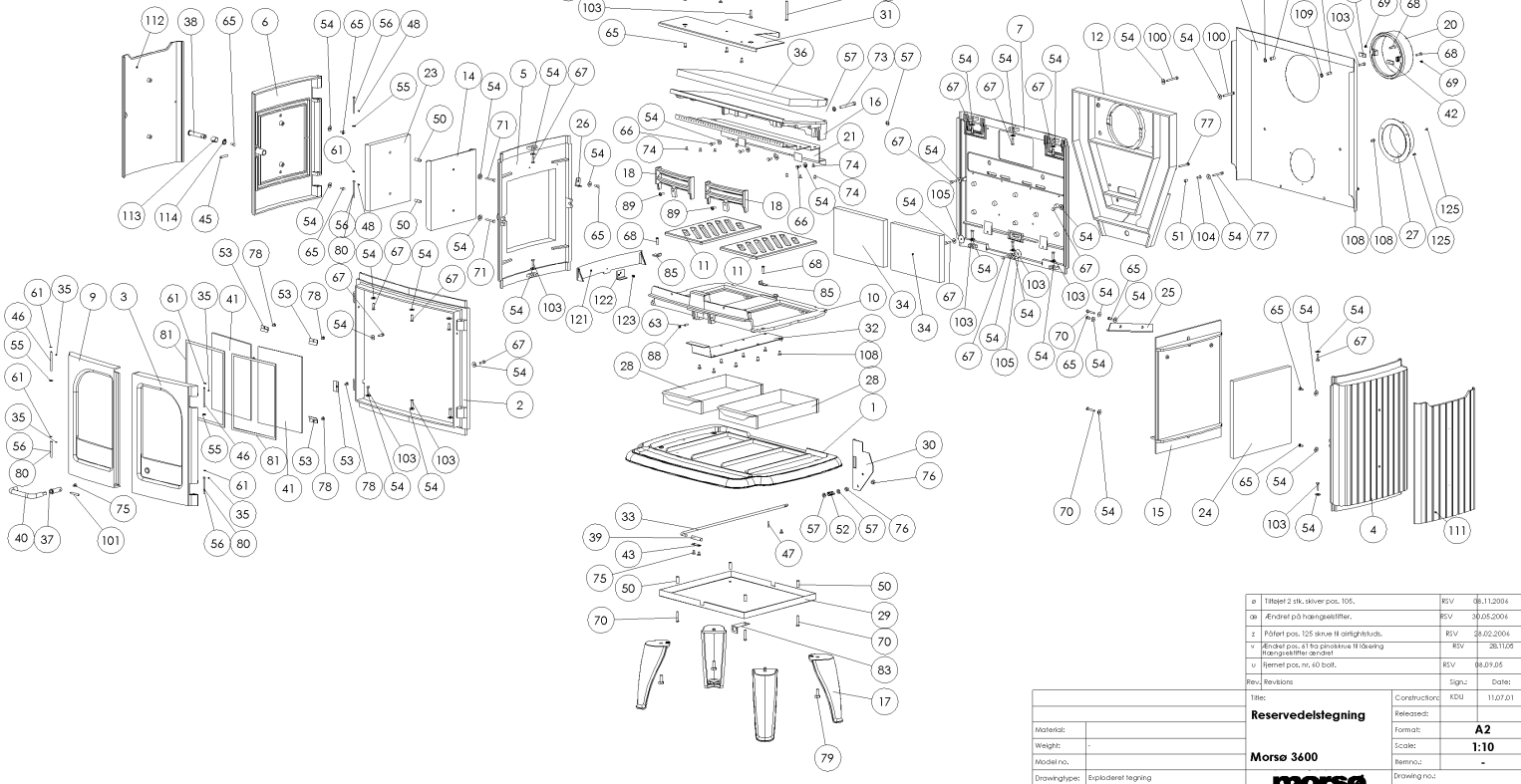
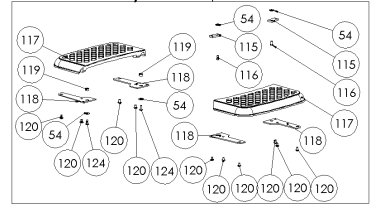


DIN



Hydeset 3610/3640



o	Filter 2 st, silver pos. 105.	RSV	08.11.2004
ou	Ändrat på hängslisteffter.	RSV	30.05.2004
z	Pörfert pos. 125 skive ff cartilgshud.	RSV	28.02.2004
v	Ändrat pos. 41 to präpnare ff lösling på hängslistan ändrat!	RSV	26.11.02
v	Ändrat pos. nr. 60 boit.	RSV	08.09.05
Rev.	Revisions	Sign:	Date:

Title:		Construction:	
Reservedtegning		KDU 11.07.01	
Material:		Format: A2	
Weight:		Scale: 1:10	
Model no. Morse 3600		Remark:	
Drawing type: Exploderet tegning		Drawing no. 3600-501 ø	
Location of file: http://www.morse.dk		The drawing is Morse Jernstøberi A/S property and must not be sold, lent or copied without any written authorization from the company.	

Date of print: 08.11.2004

Part list 3600

POS.NR.	PARTS (ENGLISH)	64360521 3610 UK
1	Base plate	443601XX
2	Front frame	443602XX
3	Door right	443603XX
4	Side plate	443604XX
5	Side frame	443605XX
6	Door side	443606XX
7	Inside rear plate	443607XX
8	Top plate	443608XX
9	Door left	443609XX
10	Intermediate frame	44361000
11	Grate	34361100
12	Outside back plate	443612XX
13	Inside top plate	44361300
14	Fire plate for side door	34361400
15	Fire plate for side plate	44361500
16	Baffle plate, cast iron	44362600
17	Leg	443617XX
18	Front grate	44184900
19	Cover	442610XX
20	Flue collar	442627xx
21	Baffle plate, stainless	71360161
22	Convection rear plate	71360200
23	Insulation side door	79074900
24	Insulation side plate	79075000
25	Angle brace f. fire plate	71360361
26	Angle brace f. sideframe (Lefthand sidedoor)	71360461
27	Airadaptor	71360600
28	Ash tray	71360700
29	Radiant shielding, bottom	71360800
30	Draught control	71360900
31	Baffle plate, stainless, inside top	71361061
32	Plate for intermediate frame	71361161
33	Air inlet arm	713612XX
34	Stone back	79360300
35	04 x 05 PINOLSKRUE DIN916-45H	739405
36	Insulation	
37	Axis for handle	75362700
38	Axis for handle	75462700
39	Stainless handle for adjustment	75180400
40	Door handle, stainless steel	752625
41	Ceramic glass	79360100
42	Fitting w. thread for flue collar	44256700
43	Assemble steel	71346500
44	Flat bar	545006
45	Hinge pin	542056
46	Hinge pin	545008
47	Cotter pin	74202000
48	04 x 08 PINOLSKRUE DIN916-45H	739408
50	Distance tube	54313100
51	Distance tube	545007
52	Pressure spring, stainless	79048600
53	Glass fitting	54146361
54	Washer	791891
55	Washer	746006
56	Ø5 X 60 JERNNIT RH DIN 660	74701000
57	Washer	736108
59	Screw	731670
60	Screw	-
61	04 mm DIN 6799	791824
63	Screw	73961700
65	Screw	731612
66	Screw	731616
67	Screw	731620
68	Screw	743625
69	Screw	791835
70	Screw	731635
71	Screw	74163504
72	Distance tube	545003
73	Screw	731870
74	Screw	74160804
75	Screw	731608
76	Nuts	735008
77	Screw	731645
78	Screw	742508
79	Screw	731125
80	HÆNGSELSTIFT Ø5 X 75	
81	Tightening tape	79074500
83	Hanging for handle	
85		541831
86		-
88		73500601
89		73861300
90		-
91		-
92		-
93		-
94		-
95		-
96		-
97		-
98		-
99		-
100		731650
101		541082
103		731625
104		743616
105	Washer	79189300
107		736106
108		731610
109		746206
110		-
111		-
112		-
113		-
114		-
115		-
116		-
117		-
118		-
119		-
120		-
121		443624xx
122		54362861
123		74340804
124		
125	Screw	79183300

Door right 3600 complete	543633xx
Door left 3600 complete	543639xx
Top plate 3600 complete	543608xx
Shelves 3600 complete	543627xx
Airadaptor complete	543620xx

Farvekode: xx

21	Black
22	Gray