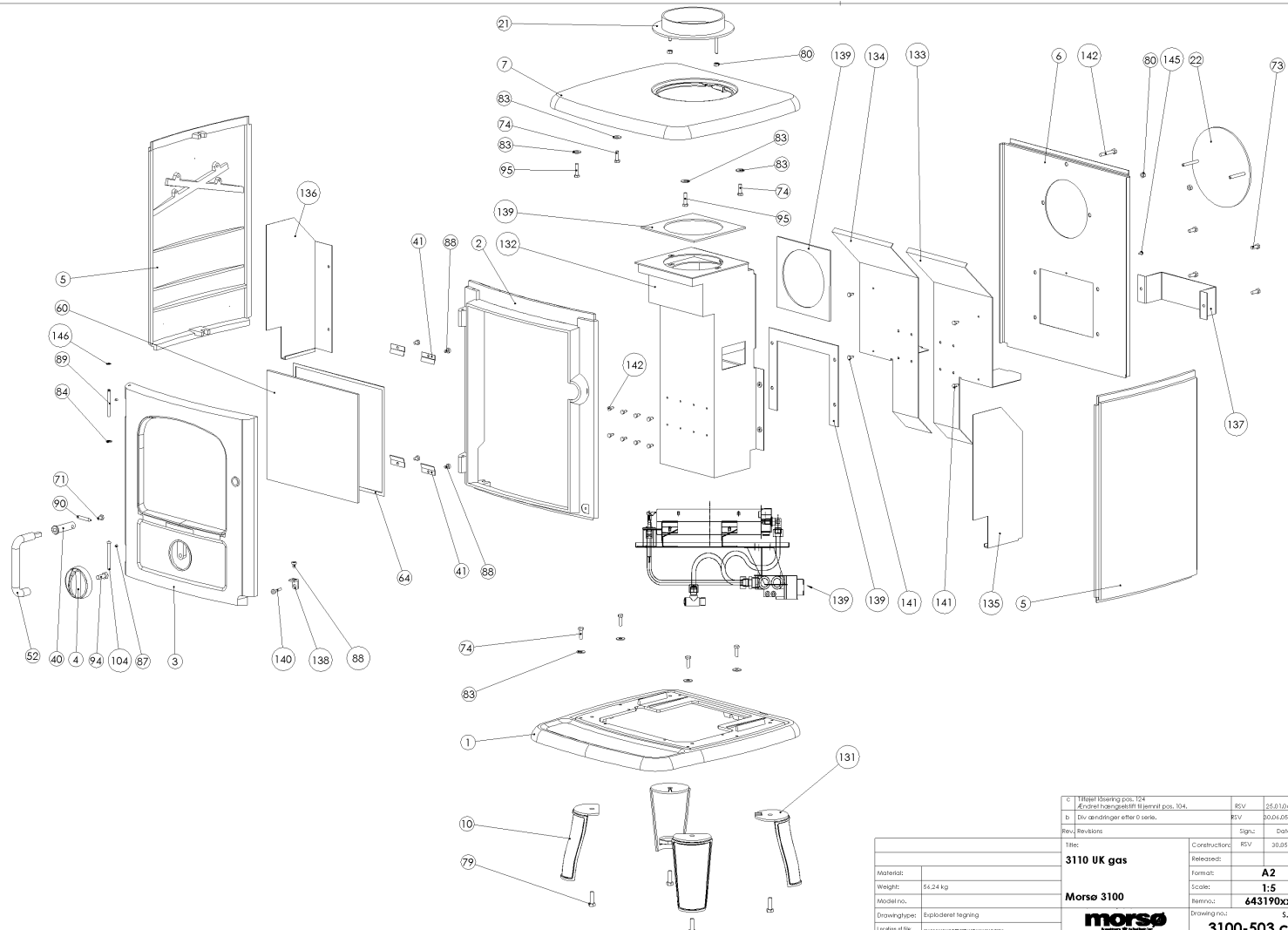


Date of print: 25.01.2004



C) Tilføjet blødding pos. 124		REV	25.01.04
D) Ændret frøsegel til blødding pos. 104.		REV	30.05.05
Rev. Revisions		Sign:	Date:
Title		Construction	REV
3110 UK gas		Released:	
Material:		Format:	A2
Weight: 51,24 kg		Scale:	1:5
Model no.		Remov:	643190xx
Drawing type: Exploded tegning		Drawing no.:	s.3/3
Location of file: http://www.morse.dk		morse København	
		3100-503 c	

This drawing is Morse Jernstøberi A/S property and must not be sold, lent or copied without any written authorization from the company.