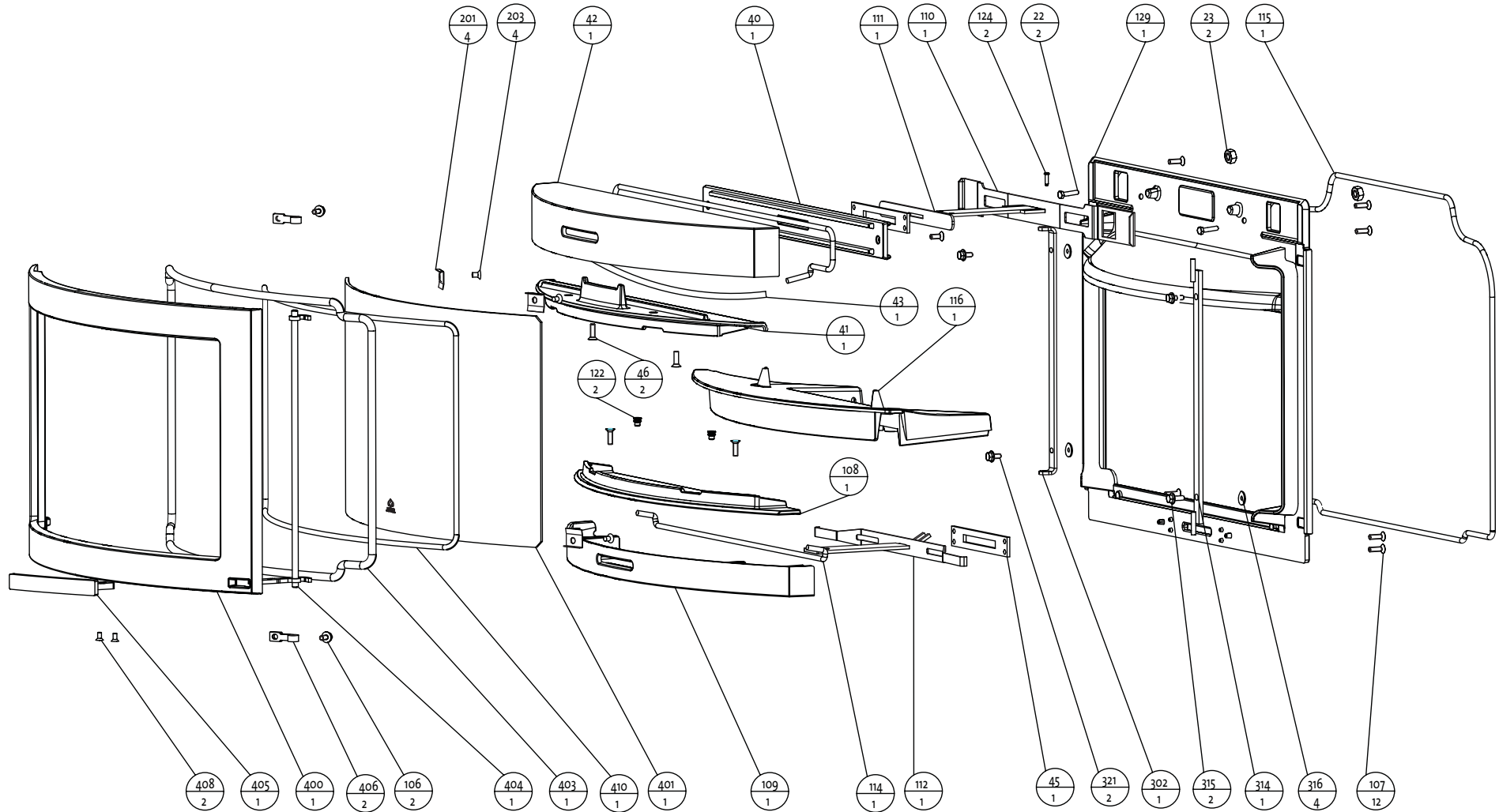


xx — Position number  
yy — Quantity

Delliste \ part list Jøtul I 400 Harmony		
Jøtul AS Fredrikstad Norway	Draw. no: 3-3481-Poo Sheet 1/4	Date: Sept. 07



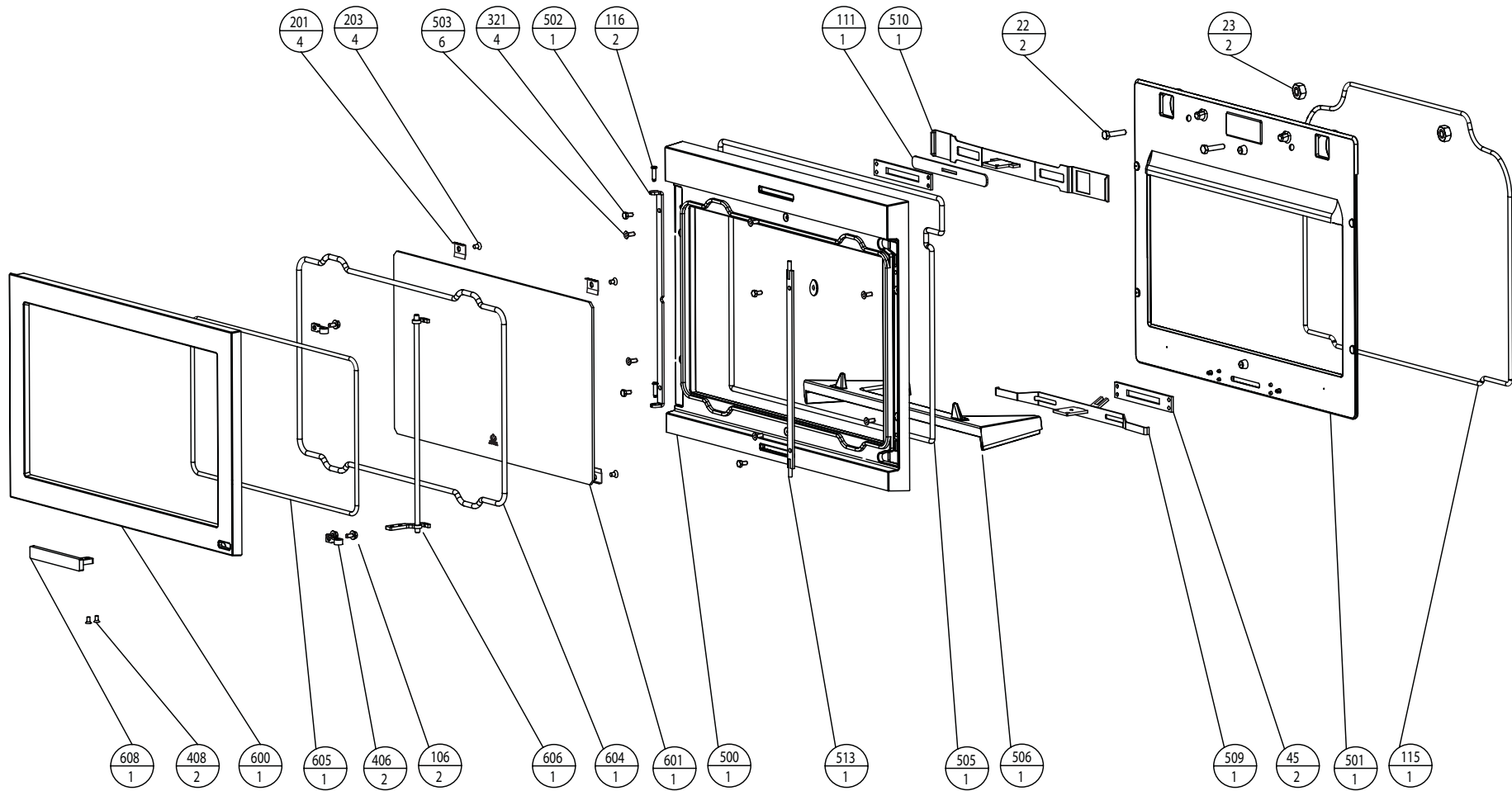
xx — Position number  
 yy — Quantity

Delliste / part list Jøtul I 400 Panorama

Jøtul AS  
Fredrikstad Norway

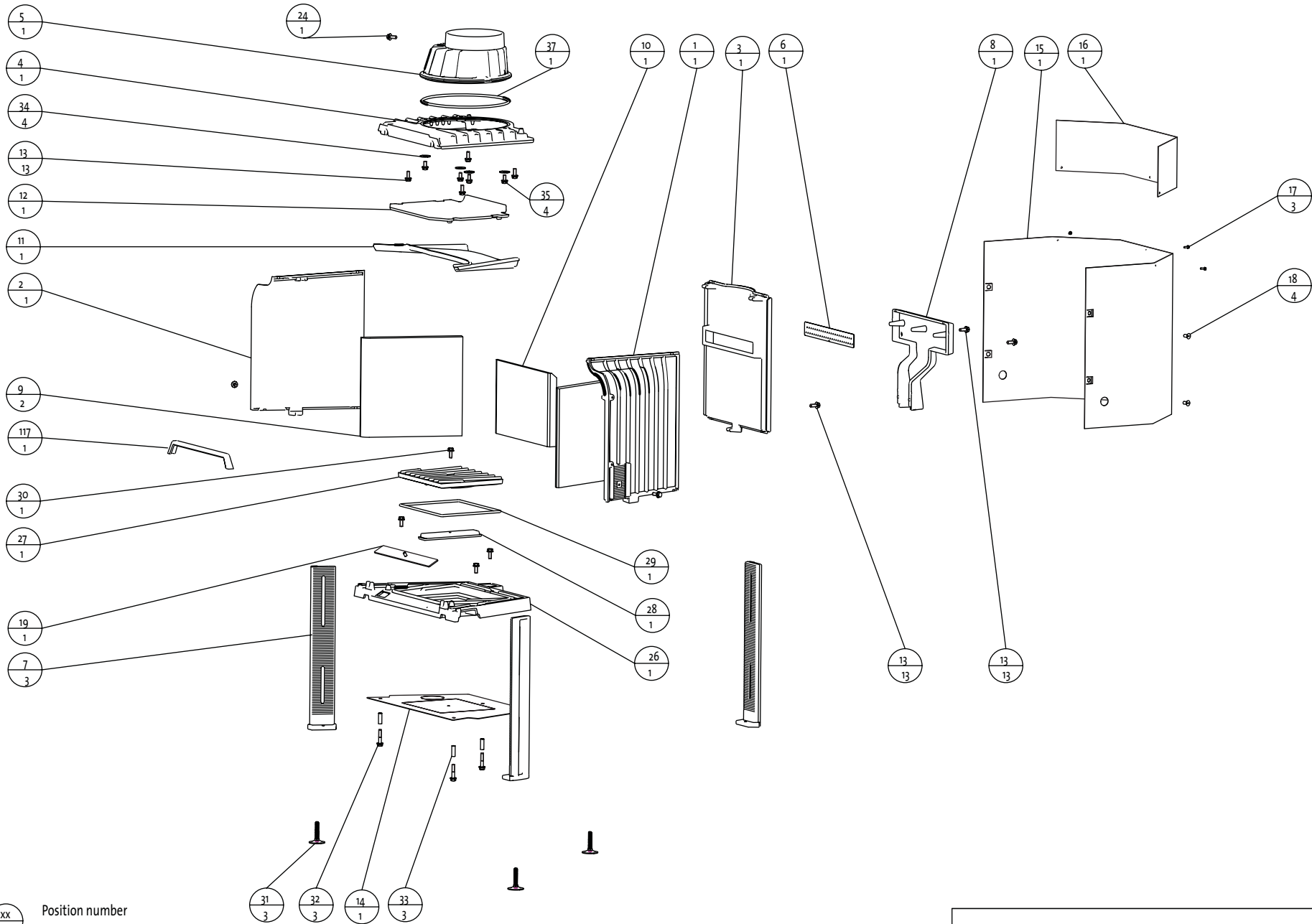
Draw.no: 3-3481-Poo  
Sheet 3/4

Date: Sept. 07



xx — Position number  
yy — Quantity

Delliste / part list Jøtul I 400 FL		
Jøtul AS Fredrikstad Norway	Draw. no: 3-3481-Poo Sheet 2/4	Date: Sept. 07



xx	Position number
yy	Quantity

Delliste / part list Jøtul I 400 common parts burnchamber

Jøtul AS  
Fredrikstad Norway

Draw. no: 3-3481-Poo  
Sheet 4/4

Date: Sept. 07

		Jøtul I 400			
<b>Jøtul I 400 Harmony cat no. 341253 BP, Jøtul I 400 Panorama cat no. 341254 BP, Jøtul I 400 Flat cat no. 341255 GP</b>					
<b>BP= Sort lakk/Black Paint, GP= Grå lakk/Grey Paint UP= Ulakkert/Unpainted</b>					
Pos. no.	Spareparts	Consist of	Benevnelse	Description	Dim./Spec.
		BURNCHAMBER HARMONY			
		BURNCHAMBER PANORAMA			
		BURNCHAMBER FLAT			
			Felles deler brennkammer	Common parts burnchamber	
1	10453118		Sidestykke høyre	Side plate right	Cast iron
2	10453018		Sidestykke venstre	Side plate left	Cast iron
3	10453218		Bakstykke	Rear plate	Cast iron
4	10453518		Topplate	Top plate	Cast iron
5	10455918		Røkklokke	Flue outlet	Cast iron
6	222124		Hullplate sekundærluft	Hole plat sec air	1.5mm alu dip steel
7	10455618		Ben	Leg	Cast iron
8	10455512		Luftkanal bakre	Air manifold rear	Cast iron
9	222126		Brennplate høyre/ venstre	Burnplate right / left	Vermiculite
10	222128		Brennplate bakre	Burnplate rear	Vermiculite
11	10456212		Hvelv	Baffle	Cast iron
12	10456312		Ledeplate	Bafflez	Cast iron
13	117875		Skrue 6k m/Fl M8x20 St8.8 Ubeh	Screw hex cap flange frame M8x20 DIN 6921	Screw hex cap flange frame M8x20 DIN 6921
14	222199		Skjermplate under	Heat shield bottom	1.25mm Aluzinc
15	222198		Skjermplate sider	Heat shield sides	1.25mm Aluzinc
16	222127		Skjermplate forlenger	Heat shield extention	1.25mm Aluzinc
17	117917		Skr Pl Seksk m/fl 4.2x13Sortk	Scr Tap Hex Cap Fl 4.2x13Blackc	Scr Tap Hex Cap Fl 4.2x13Blackc
18	117739		Skr Senkh Innv6k M8x16 St8.8	Screw Flat IntHex M8x16 St8.8	Screw Flat IntHex M8x16 St8.8
19	222111		Ventilsleide opptenning	Sleeve Valve Ignition Air	3mm steel
21	156642	31,32,33,34,35,36,37,38,39	Pose pakket	Plastic bag	Plastic
22	117868		Skrue senkh innv6k M8x30, st10.9	Screw flat inthex M8x30 st10.9	Screw flat inthex M8x30 st10.9
23	117881		Mutter 6K m/flens M8 st 8.8 fosfat	Nut hex cap FL M8 st 8.8 UNTR	Nut hex cap FL M8 st 8.8 UNTR
24	117120		Skrue 6K selv gj M6x16	Screw hex selfth M6x20	Screw hex selfth M6x20
26	10453318		Bunnplate	Bottom plate	Cast iron
27	10453412		Bunndeksel	Bottom cover	Cast iron
28	10456418		Travers bunndeksel	Traverse bottom cover	Cast iron
29			Pakn LD 250 L930	Gasket LD250, L930	LD 250-2 Ø6,4 x 930
30	117875		Skrue 6k m/Fl M8x20 St8.8 Ubeh	Screw hex cap flange frame M8x20 DIN 6921	Screw hex cap flange frame M8x20 DIN 6921
31			Fotskrue	Foot screw	Cast iron
32	117879		Skrue 6k m/Fl M8x40 St8.8 Ubeh	Scr HexCap Fl M8x40 St8.8 Untr	Scr HexCap Fl M8x40 St8.8 Untr
33			Distansehylse	Distance sleeve	Distance sleeve
34	118146		Skive Ø35xØ9x3	Washer Ø35xØ9x3	Washer Ø35xØ9x3
35	117875		Skrue 6k m/Fl M8x20 St8.8 Ubeh	Screw hex cap flange frame M8x20 DIN 6921	Screw hex cap flange frame M8x20 DIN 6921
36			Pakn LD 250 L890 M/LIM	Gasket LD250, L890 w/adhesive	LD 250-2 Ø6,4 x 890
37			Pakn LD 250 L900	Gasket LD250, L900	LD 250-2 Ø6,4 x 900
38			Umbrako nøkkel 5mm	Allen key 5mm	Allen key 5mm
		<b>HARMONY</b>		HARMONY	
100	156564	200,201,203,204,205	Dør YH Harmony u/glass, BP	Door OR harmonyl, BP	Cast iron

		<b>Jøtul I 400</b>			
<b>Jøtul I 400 Harmony cat no. 341253 BP, Jøtul I 400 Panorama cat no. 341254 BP, Jøtul I 400 Flat cat no. 341255 GP</b>					
<b>BP= Sort lakk/Black Paint, GP= Grå lakk/Grey Paint UP= Ulakkert/Unpainted</b>					
<i>Pos. no.</i>	<i>Spareparts</i>	<i>Consist of</i>	<i>Benevnelse</i>	<i>Description</i>	<i>Dim./Spec.</i>
101	156565	206,201,203,207,208,209,210,204,205,211,212	Dør MH Harmony u/glass, BP	Door MR harmony, BP	Cast iron
102	156566	215,,201,203,207,208,209,210,204,205,211,212	Dør MV Harmony u/glass, BP	Door ML harmony, BP	Cast iron
103	156567	213,201,203,204,205	Dør YV Harmony u/glass, BP	Door OL harmony, BP	Cast iron
105	222339		Hengsler dør	Hinges door	4mm steel
106	117130		Skrue sekskant med flens M6x12 Spesial	Screw hex cap flange M6x12 Special	Screw hex cap flange M6x12 Special
107	118140		Skrue UNB SE.H M6x20 10.g	Screw UNB SE.H M6x20 10.g	Screw UNB SE.H M6x20 10.g
108	10455112		Lokk nedre frontdeksel	Lid lower front cover h/p	Cast iron
109	10454292		Nedre frontdeksel	Lower front cover, b/p	Cast iron
110	222669		Luftventil komplett, h/p	Air Valve Complete, h/p	2mm steel
111			Tetteplate luftventil	Sealing Plate Air Valve	3mm steel
112	222308		Hendel opptenning komplett b/p	Handle Ignition Complete B/P	2mm steel
114			pakning LD 250, L560	Gasket LD 250 , L560	LD 250-2 Ø6,4 x 560
115			pakning LD 250, L2200	Gasket LD 250, L2200	LD 250-2 Ø6,4 x 2200
116	10454812		Luftkanal bunn Bifold/ Panorama	Air channel bottom	Cast iron
117	10456712		Kubbestopper	Log retainer	Cast iron
122	118107		Blindnaglemutter M6	Blind Rivet Nut M6	Blind Rivet Nut M6
123	222311		Stopper_håndtak_dør harmony	Stopper Handle Door Harmony	2mm steel
124	127075		Nagle Ø6x33, sortkrom	Rivet syst 90 V 12 21 22PET	Rivet syst 90 V 12 21 22PET
125	222338		Håndtak løst dør Harmony	Handle loose door Harmony	8mm steel
127	117117		Skrue 6K m/flens M6x20 st 8.8	Screw hex cap fl M6x20 st 8.8	Screw hex cap fl M6x20 st 8.8
128	117521		Skive M8 Ø8,4xØ16x1.6 Elzn DIN 125	Washer M8 Ø8.4xØ16x1.6 Elzn DIN 125	Washer M8 Ø8.4xØ16x1.6 Elzn DIN 125
129	10457318		indre front h/p	inner front h/p	Cast iron
200			dør YH Harmony	Door OR harmony	Cast iron
201	128412		Glassklips	Glas clip	Glas clip
202	222147		Glass, 307x130	Glas	Glas
203	118136		Skrue senkeh innv sekskant M6x10 DIN 7991	Screw Socket Flat Head Cap M6x10 DIN 7991	Screw Socket Flat Head Cap M6x10 DIN 7991
220			pakning LD 250 , L710 for dører		
204			pakning LD 250 , L1050 for dør MH	Gasket LD 250 , L710	LD 250-2 Ø6,4 x 710
205			pakning LD250, L700 for glass	Gasket LD250, L700	LD 250-2 Ø6,4 x 700
206			Dør MH harmony	Door MR harmony	Cast iron
207	126322		Hengsel	Hinge	Hinge
208	128011		Stengjern	Latch	Latch
209	117177		Mutter sekskant M10 DIN 934	Nut Hexagonal M10 DIN 934	Nut Hexagonal M10 DIN 934
210	126164		Fjær for klinke	Spring for Latch	Spring for Latch
211	117505		Skrue maskin pan poz M6x8 Elzn DIN 7985	Screw machine pan poz M6x8 Elzn DIN 7985	Screw machine pan poz M6x8 Elzn DIN 7985
212	220279		Låseskrue	Latch screw	Latch screw
215			Dør MV harmony	Door ML harmony	Cast iron
213			Dør YV Harmony	Door OL harmony	Cast iron
40	10457212		Skilleplate luftventil	Divide plate air valve	Cast iron
41	10454612		Lokk øvre frontdeksel	Lid upper front cover h/p	Cast iron
42	10454192		Øvre frontdeksel	Upper front cover, h/p	Cast iron
43			Pakning v-125x8 m/lim, l=700	Rope V-125x8 w/adh	Rope V-125x8 w/adh
44			Pakning LD 250, L 1000	Gasket LD 250	LD 250-2 Ø6,4 x 1000

		<b>Jøtul I 400</b>			
<b>Jøtul I 400 Harmony cat no. 341253 BP, Jøtul I 400 Panorama cat no. 341254 BP, Jøtul I 400 Flat cat no. 341255 GP</b>					
<b>BP= Sort lakk/Black Paint, GP= Grå lakk/Grey Paint UP= Ulakkert/Unpainted</b>					
<i>Pos. no.</i>	<i>Spareparts</i>	<i>Consist of</i>	<i>Benevnelse</i>	<i>Description</i>	<i>Dim./Spec.</i>
45			Pakning luftventiler, flat	Gasket air valves, flat	Glasfibre
46	117435		SKR SENKH INNV6K M6X16 FOSFAT	Screw flat inthex M6x16	Screw flat inthex M6x16
<b>PANORAMA</b>					
300	156568	400,201,403,404,405,406,106,408,203,410	Dør komplett, u/glass, BP	Door complete Panorama without glas, BP	Cast iron
302	221895		Hengsler door	Hinge, panorama door	4mm steel
107	117783		Skrue UNB SE.H M6x20 DIN 7991	Screw UNB SE.H M6x20 DIN 7991	Screw UNB SE.H M6x20 DIN 7991
108	10455112		Lokk nedre frontdeksel	Lid lower front cover h/p	Cast iron
109	10454292		Nedre frontdeksel	Lower front cover, b/p	Cast iron
110	222669		Luftventil komplett, h/p	Air Valve Complete, B/P	2mm steel
111			Tetteplate luftventil	Sealing Plate Air Valve	3mm steel
112	222308		Hendel opptenning komplett h/p	Handle Ignition Complete B/P	2mm steel
114			Pakning LD250, L=560	Gasket LD 250	LD 250-2 Ø6,4 x 560
115			Pakning LD250 , L=2200	Gasket LD 250	LD 250-2 Ø6,4 x 2200
116	10454812		Luftkanal bunn h/p	Air manifold bottom h/p	Cast iron
314	222197		Beslag_Lås dør panorama	Fittings Lock Door Panorama	Fittings Lock Door Panorama
315	117118		Skrue sekskant med flens M6x16 Spesial	Screw hex cap flange frame M6x16 Special	Screw hex cap flange frame M6x16 Special
316	127105		Skive M6 Ø6,4xØ18x1.6 Sortkr. DIN 9021	Washer M6 Ø6.4xØ18x1.6 Blackcr. DIN 9021	Washer M6 Ø6.4xØ18x1.6 Blackcr. DIN 9021
117	10456712		kubbestopper	log retainer	Cast iron
122	118107		Blindnaglemutter M6	Blind Rivet Nut M6	Blind Rivet Nut M6
127	117117		Skrue 6K m/flens M6x20 st 8.8	Screw hex cap fl M6x20 st 8.8	Screw hex cap fl M6x20 st 8.8
321	117022		Skrue sekskant M6x12 Elzn DIN 933	Screw Hexagon M6x12 Elzn DIN 933	Screw Hexagon M6x12 Elzn DIN 933
124	127075		Nagle Ø6x33, sortkrom	Rivet syst 90 V 12 21 22PET	Rivet syst 90 V 12 21 22PET
129	10457318		Indre front h/p	Inner front h/p	Cast iron
400			Dør panorama	Door panorama	Cast iron
401	222149		Glass panorama	Glas panorama	Glas
201	128412		Glassklips	Glass Clip	Glass Clip
403			Pakning LD375 panorama, for dør, L=2000	Gasket LD375 panorama door	LD 375-2 Ø9,5 x 2000
404	222196		Aksel_lås dør panorama	Axle Lock Door Panorama	4mm steel
405	222315		Håndtak dør Panorama	Handle door Panorama	8mm steel
406	222121		Hengsel_lås dør	Hinge Lock Door	3mm steel
106	117130		Skrue sekskant med flens M6x12 Spesial	Screw hex cap flange frame M6x12 Special	Screw hex cap flange frame M6x12 Special
408	118144		Skrue senkeh innv sekskant M5x10 DIN 7991	Screw Socket Flat Head Cap M5x10 DIN 7991	Screw Socket Flat Head Cap M5x10 DIN 7991
203	118136		Skrue senkeh innv sekskant M6x10 DIN 7991	Screw Socket Flat Head Cap M6x10 DIN 7991	Screw Socket Flat Head Cap M6x10 DIN 7991
410			Pakning LD250, for glass, L=1800	Gasket LD 250, for glas	LD 250-2 Ø6,4 x1800
40	10457212		Skilleplate luftventil	Divide plate air valve	Cast iron
41	10454612		Lokk øvre frontdeksel	Lid upper front cover h/p	Cast iron
42	10454192		Øvre frontdeksel	Upper front cover, h/p	Cast iron
43			Pakning v-125x8 m/lim, L=700	Rope V-125x8 w/adh	Rope V-125x8 w/adh
44			Pakning LD 250, L 1000	Gasket LD 250	LD 250-2 Ø6,4 x1000
45	222104		Pakning luftventiler, flat	Gasket air valves, flat	Glasfibre
46	117435		Skr Senkh Innv6k M6X16 fosfat	Screw flat inthex M6x16	Screw flat inthex M6x16

		Jøtul I 400			
Jøtul I 400 Harmony cat no. 341253 BP, Jøtul I 400 Panorama cat no. 341254 BP, Jøtul I 400 Flat cat no. 341255 GP					
BP= Sort lakk/Black Paint, GP= Grå lakk/Grey Paint UP= Ulakkert/Unpainted					
Pos. no.	Spareparts	Consist of	Benevnelse	Description	Dim./Spec.
		<b>FLAT</b>		FLAT	
500	10455218		Ytre front, flat	Outer front flaat	Cast iron
501	10455418		Indre front, flat	Inner front flat	Cast iron
502	222129		Hengsel, flat dør	Hinge, flat door	4mm steel
503	117435		Skr Senkh Innv6k M6X16 fosfat	Screw flat inthex M6x16	Screw flat inthex M6x16
115			Pakning LD250 for front/kammer, L=2200	Gasket LD250	LD 250-2 Ø6,4 x2200
505			Pakning LD250 ytre/indre front flat, L=2400	Gasket LD250	LD 250-2 Ø6,4 x2400
506	10456112		Luftkanal bunn, flat	Air channel, flat	Cast iron
45			pakning luftventiler	Gasket air valves	Glasfibre
321	117022		Skrue sekskant M6x12 Elzn DIN 933	Screw Hexagon M6x12 Elzn DIN 933	Screw Hexagon M6x12 Elzn DIN 933
509	222307		Hendel opptenning komplett flat	Handle Ignition Complete Flat	2mm steel
510	222191		Luftventil komplett, flat	Air Valve Complete, Flat	2mm steel
111	222103		Tetteplate luftventil	Sealing Plate Air Valve	3mm steel
513	222123		Beslag_lås dør flat	Fittings Lock Door Flat	4mm steel
117	10456712		Kubbestopper	Log retainer	Cast iron
124	127075		Nagle Ø6x33, sortkrom	Rivet syst 90 V 12 21 22PET	Rivet syst 90 V 12 21 22PET
516	156569	600,201,203,604,605,606,608,106,408	Dør komplett flat u/glass GP	Door complete flat without glas, GP	Cast iron
600			Dør, flat	Door flat	Cast iron
601	222125		Glass dør flat	Glas, flat door	Glas
201	128412		Glassklips	Glas clip	Glas clip
203	118136		Skrue senkeh innv sekskant M6x10 DIN 7991	Screw Socket Flat Head Cap M6x10 DIN 7991	Screw Socket Flat Head Cap M6x10 DIN 7991
604			Pakning LD375, flat dør, L=1780	Gasket LD 375, flat door	LD 375-2 Ø9,5 x 1780
605			Pakning LD250, for glass, L=1690	Gasket LD 250, for glas	LD 250-2 Ø6,4 x1690
606	222142		Aksel_lås dør flat	Axle Lock Door Flat	4mm steel
406	222121		Hengsel_lås dør	Hinge Lock Door	3mm steel
608	222143		Håndtak dør flat	Handle door flat	8mm steel
106	117130		Skrue sekskant med flens M6x12 Spesial	Screw hex cap flange frame M6x12 Special	Screw hex cap flange frame M6x12 Special
408	118144		Skrue senkeh innv sekskant M5x1 DIN 7991	Screw Socket Flat Head Cap M5x1 DIN 7991	Screw Socket Flat Head Cap M5x1 DIN 7991
			Ekstraustyr	Accessories	
700	10456012		Fyrrist	Ash grid	Cast iron
701			Pakning for bunndeksel syst 80	Gasket for bottom shield	Gasket
757	156205		Askeløsning komplett I80-I/F350	Ash Collection System complete I80-I/F350	Steel
705	110155		Skr PI Panh Poz 4,8x16 ElZn	Scr Tap Panh Poz 4.8x16 ElZn	Scr Tap Panh Poz 4.8x16 ElZn
706	116832		Mutter Seksk M6 St8.8 Ubeh	Nut Hex M6 St8.8 Untr	Nut Hex M6 St8.8 Untr
707	117841		Skrue MaskSenkh Poz M6x20 ElZn	Screw MachFlat Poz M6x20 ElZn	Screw MachFlat Poz M6x20 ElZn
709	10455712		Deksel uteluft bunn	Cover External Air Bottom	Cast iron
710	222331		Fordelingsboks uteluft	Distribution Box External Air	Steel
711	222329		Fleksislange uteluft Ø60 x 1000	Flexible tube Ø60 x 1000	Flexible tube Ø60 x 1000
716	222330		Slangeklemme Ø50-70	Hose clamp Ø50-70	Steel, Hose clamp Ø50-70
717	117874		Skrue 6k m/Fl M8x16 St8.8 Ubeh	Scr HexCap Fl M8x16 St8.8 Untr	Scr HexCap Fl M8x16 St8.8 Untr
718			Pakn LD 250 L970 m/lim	Gasket LD 250 L970 w/ad.	LD 250-2 Ø6,4 x970



		<b>Jøtul I 400</b>			
		<b>Jøtul I 400 Harmony cat no. 341253 BP, Jøtul I 400 Panorama cat no. 341254 BP, Jøtul I 400 Flat cat no. 341255 GP</b>			
		<b>BP= Sort lakk/Black Paint, GP= Grå lakk/Grey Paint UP= Ulakkert/Unpainted</b>			
<i>Pos. no.</i>	<i>Spareparts</i>	<i>Consist of</i>	<i>Benevnelse</i>	<i>Description</i>	<i>Dim./Spec.</i>
723	10458092		Topp/bunn-gitter I400	Top/Bottom Grid I400	Cast iron
724	222317		Gitterholder h/v I400	Grid Holder R/L I400	Steel
725	222318		Gitterhengsel h/v I400	Grid Hinge R/L I400	Steel
732	117129		Skrue sekskant med flens M6x10 Spesial	Screw hex cap flange frame M6x10 Special	Screw hex cap flange frame M6x10 Special
733	117248		Skrue pl linse Poz 4.8x19 Sortk.	screw Tap Oval Poz 4.8x19 Blackc	screw Tap Oval Poz 4.8x19 Blackc
734	220895		Lås for sidegitter	Lock For Side Grid	2mm steel
738	10424092		Sidegitter smalt 65mm C150 BP	Side Grid Narrow 65mm C150 BP	Cast iron
744	10424192		Sidegitter bredt 115mm C150 BP	Side Grid Wide 115 C150 BP	Cast iron
752	220894		Skjøtebrikke for sidegitter C150	Connection Bracket F/Side Grid	2mm steel
756	10457418		Røykklokke lav	Flue outlet, low	Cast iron
758	51043381		Topp/bunn-gitter Buet I 400 KOMPLETT BP	Top/Bottom Grid Curved I 400 COMPLETE BP	Cast iron
	341280		Askeløsning komplett, I 400	Ash container compl. I 400	
	51012312		Selvlukk mekanisme I 400	Self closing mec. I 400	
					<i>Draw. No. 3-3481-Po6</i>