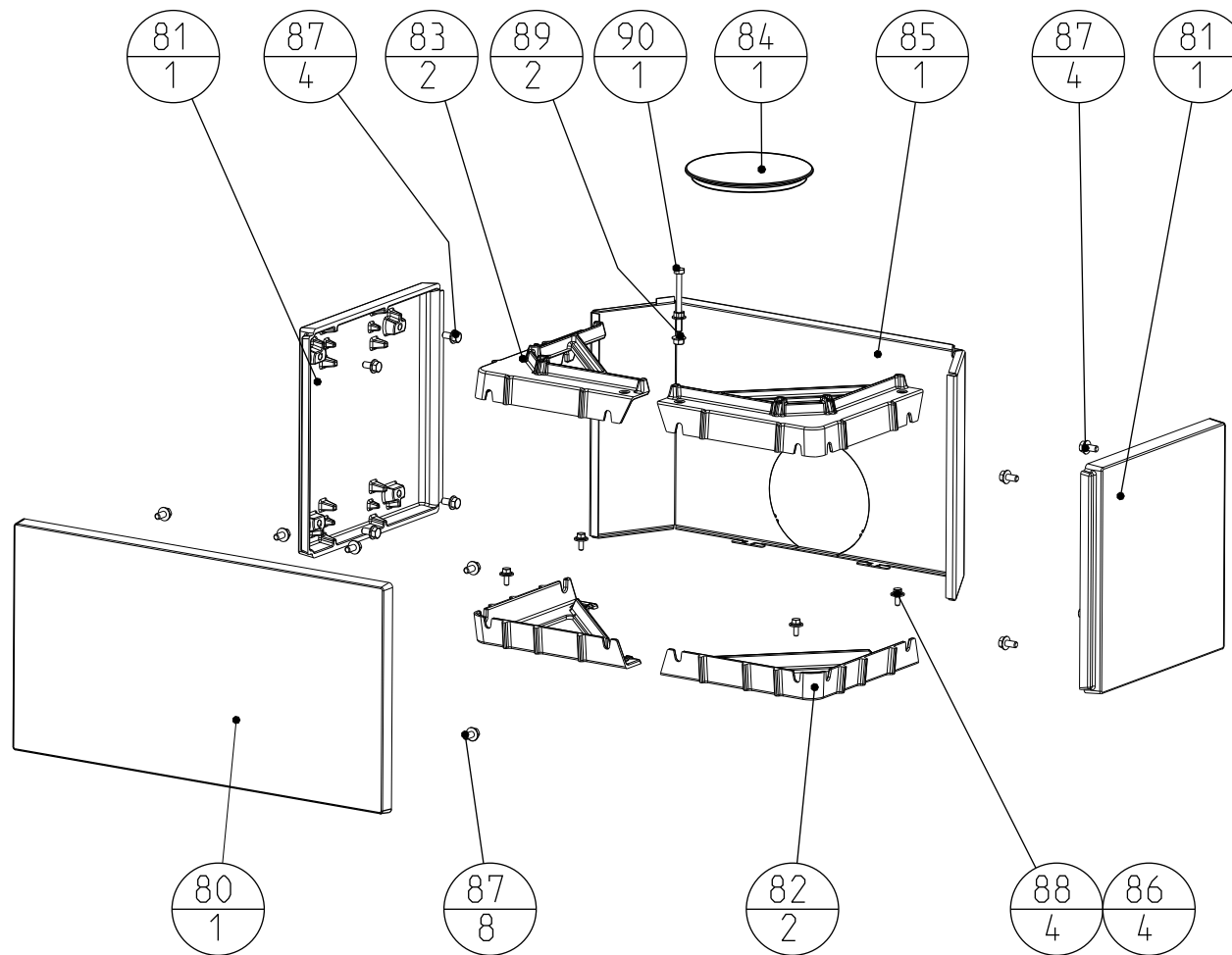
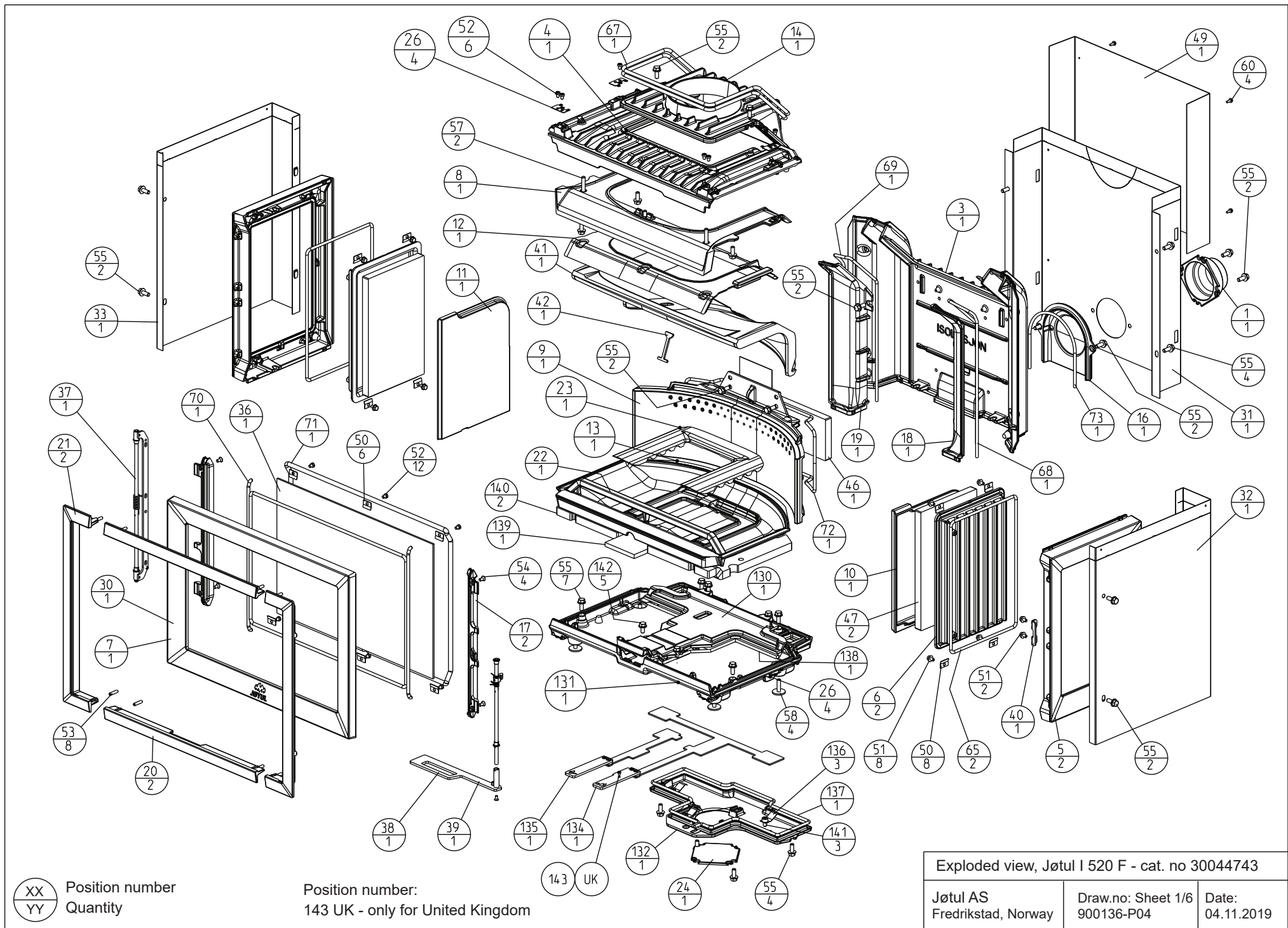


Exploded view, Jøtul F 520
 Jøtul AS
 Fredrikstad, Norway
 Draw. no: Sheet 1/2
 900188-P02
 Date:
 05.04.18



Exploded view, Jøtul F 520

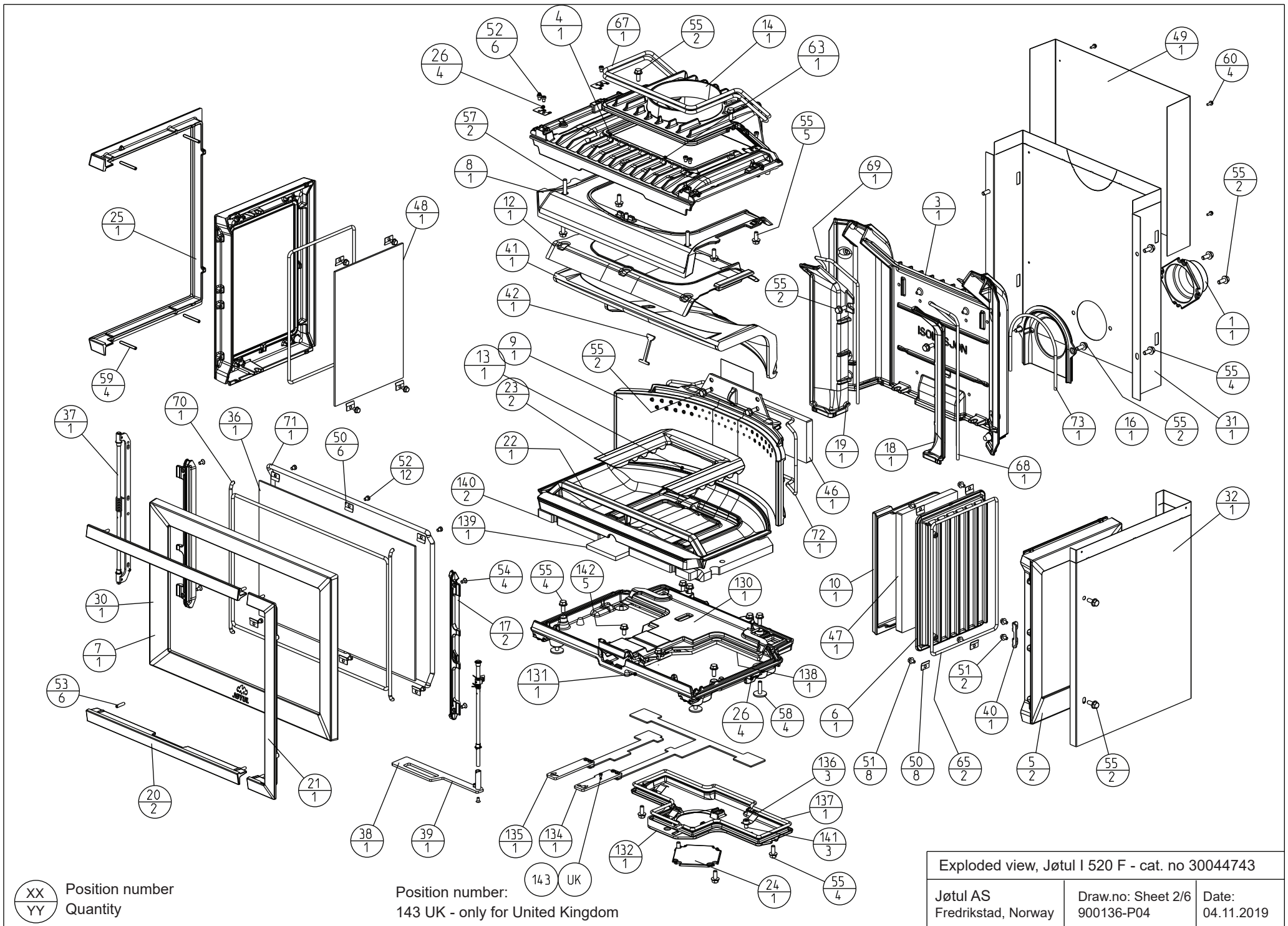
Jøtul AS Fredrikstad, Norway	Draw. no: Sheet 2/2 900188-P02	Date: 05.04.18
---------------------------------	-----------------------------------	-------------------



XX Position number
YY Quantity

Position number:
143 UK - only for United Kingdom

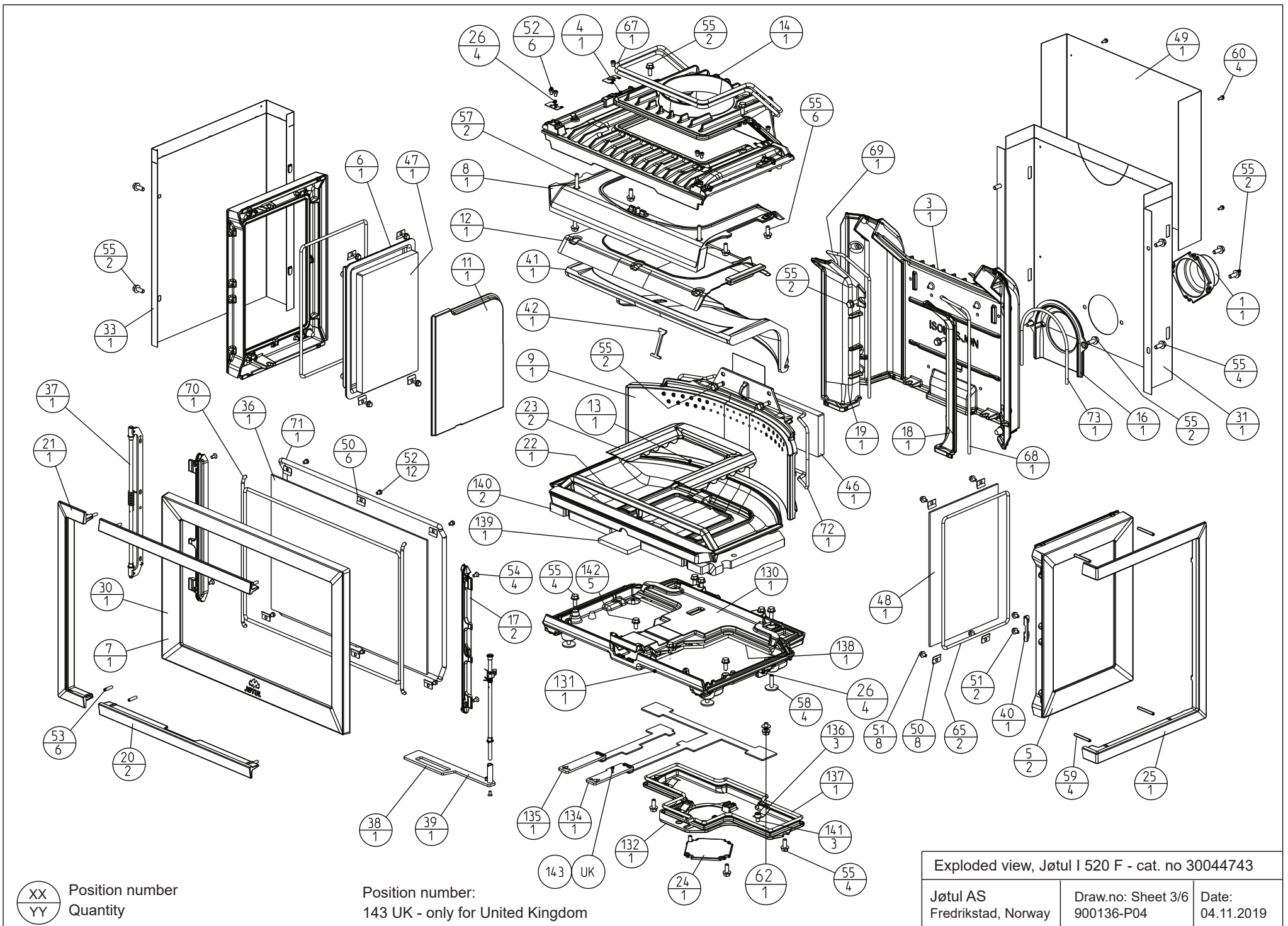
Exploded view, Jøtul I 520 F - cat. no 30044743		
Jøtul AS Fredrikstad, Norway	Draw.no: Sheet 1/6 900136-P04	Date: 04.11.2019



XX	Position number
YY	Quantity

Position number:
 143 UK - only for United Kingdom

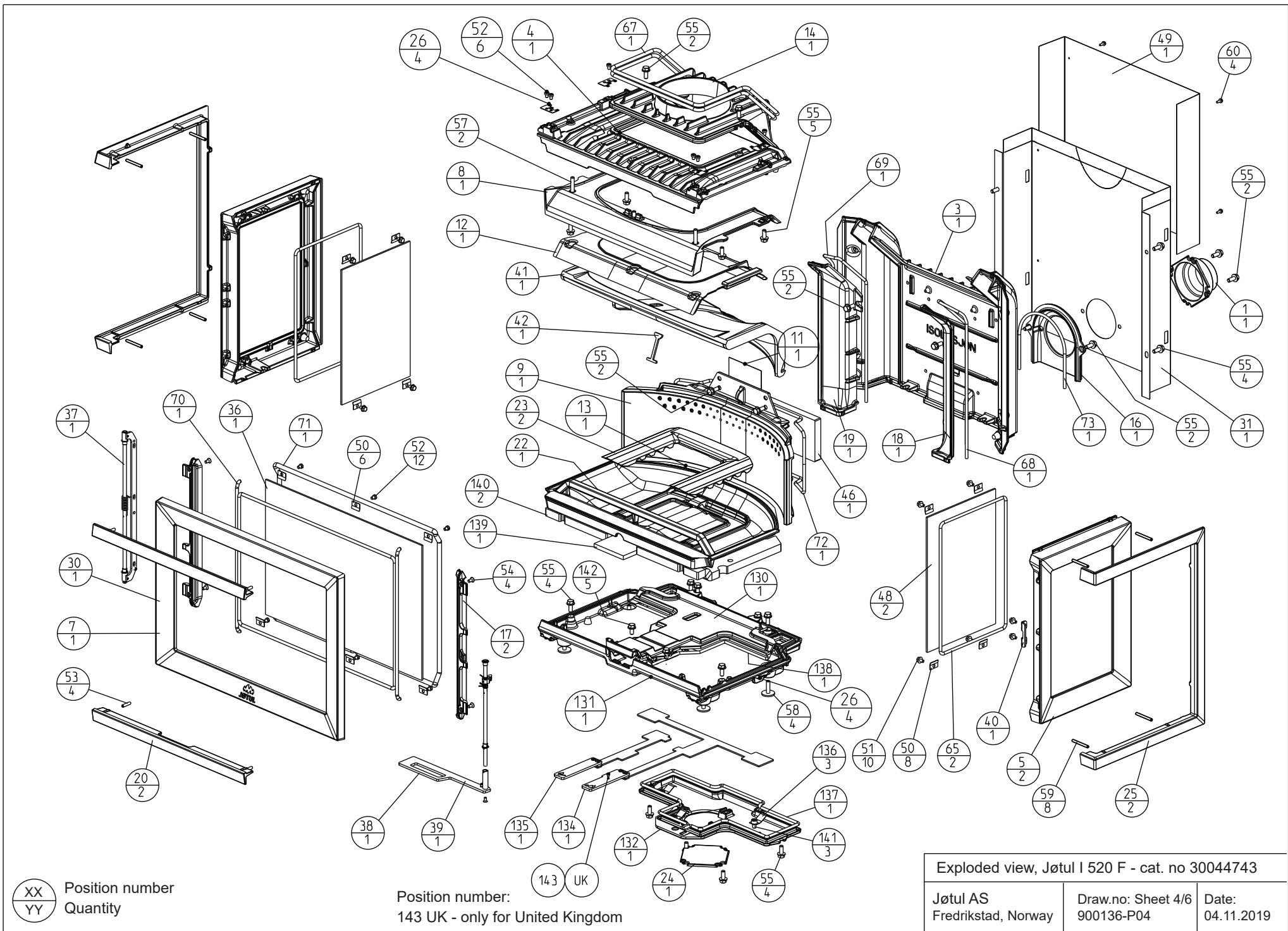
Exploded view, Jøtul I 520 F - cat. no 30044743		
Jøtul AS Fredrikstad, Norway	Draw.no: Sheet 2/6 900136-P04	Date: 04.11.2019



XX Position number
YY Quantity

Position number:
143 UK - only for United Kingdom

Exploded view, Jøtul I 520 F - cat. no 30044743		
Jøtul AS Fredrikstad, Norway	Draw.no: Sheet 3/6 900136-P04	Date: 04.11.2019



XX Position number
YY Quantity

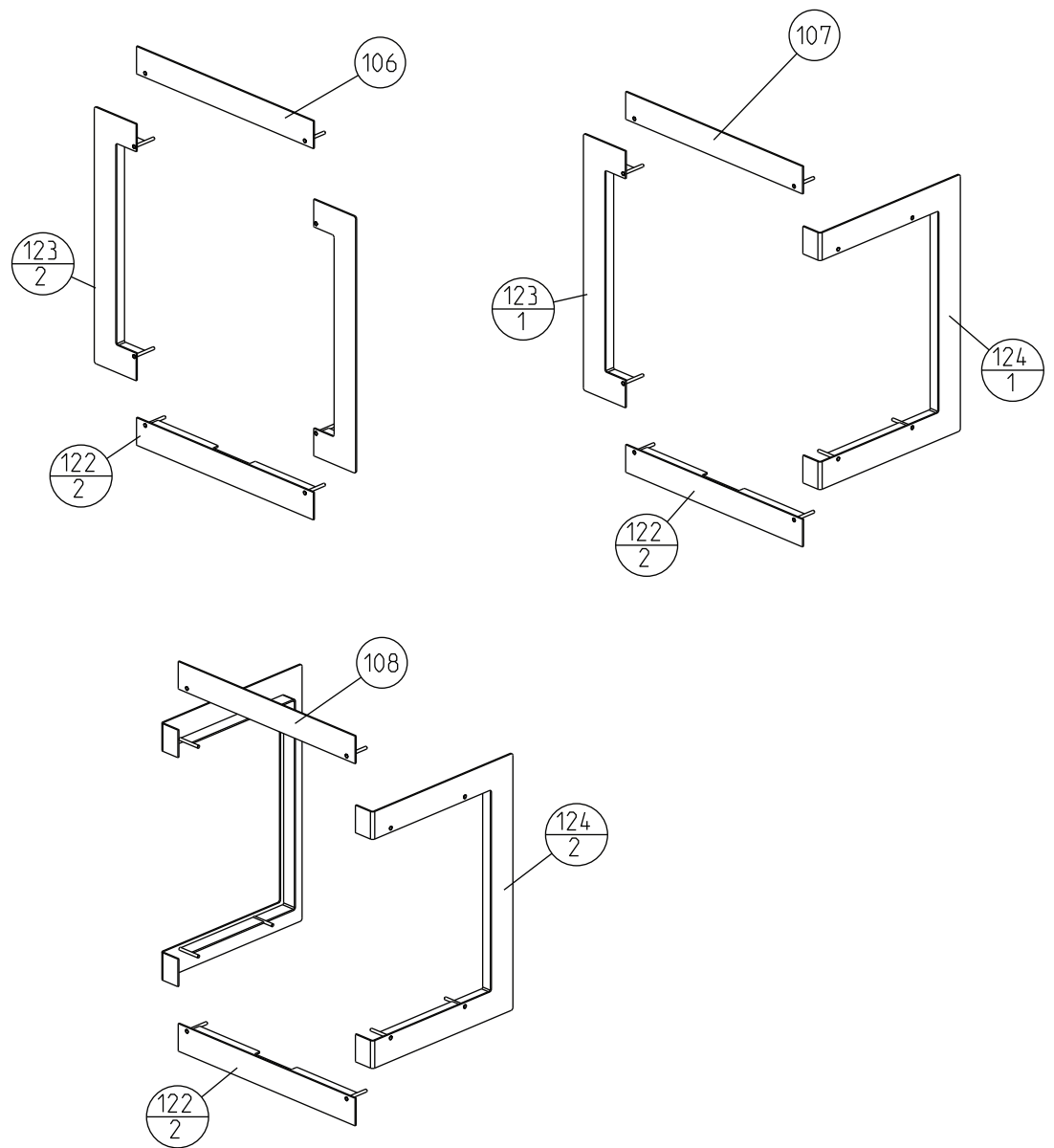
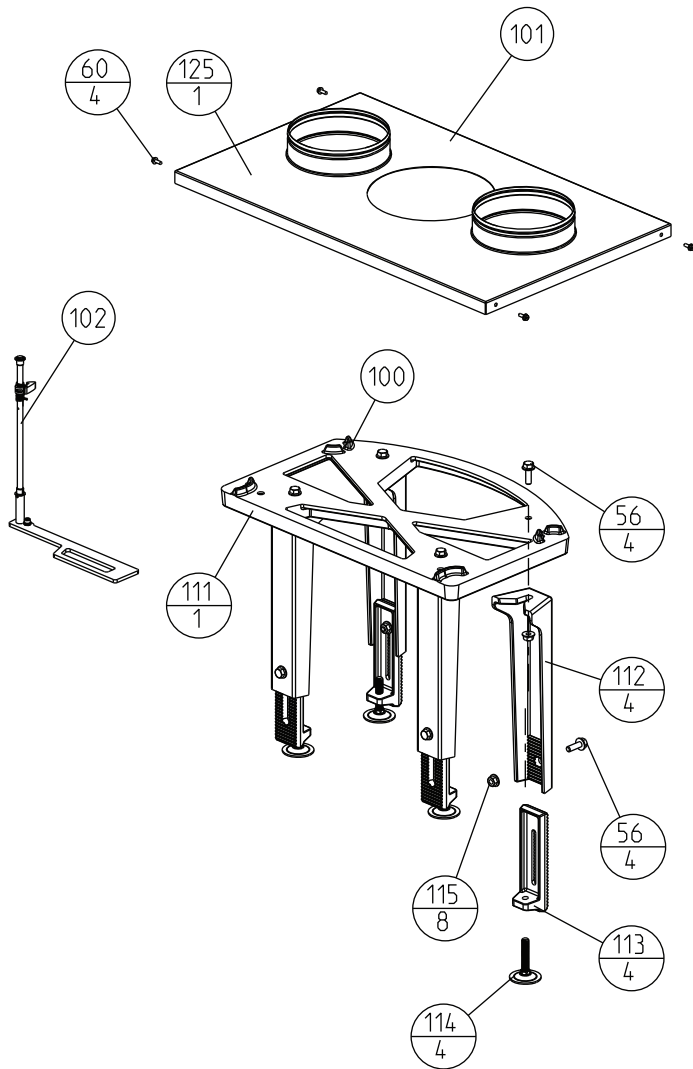
Position number:
143 UK - only for United Kingdom

Exploded view, Jøtul I 520 F - cat. no 30044743

Jøtul AS
Fredrikstad, Norway

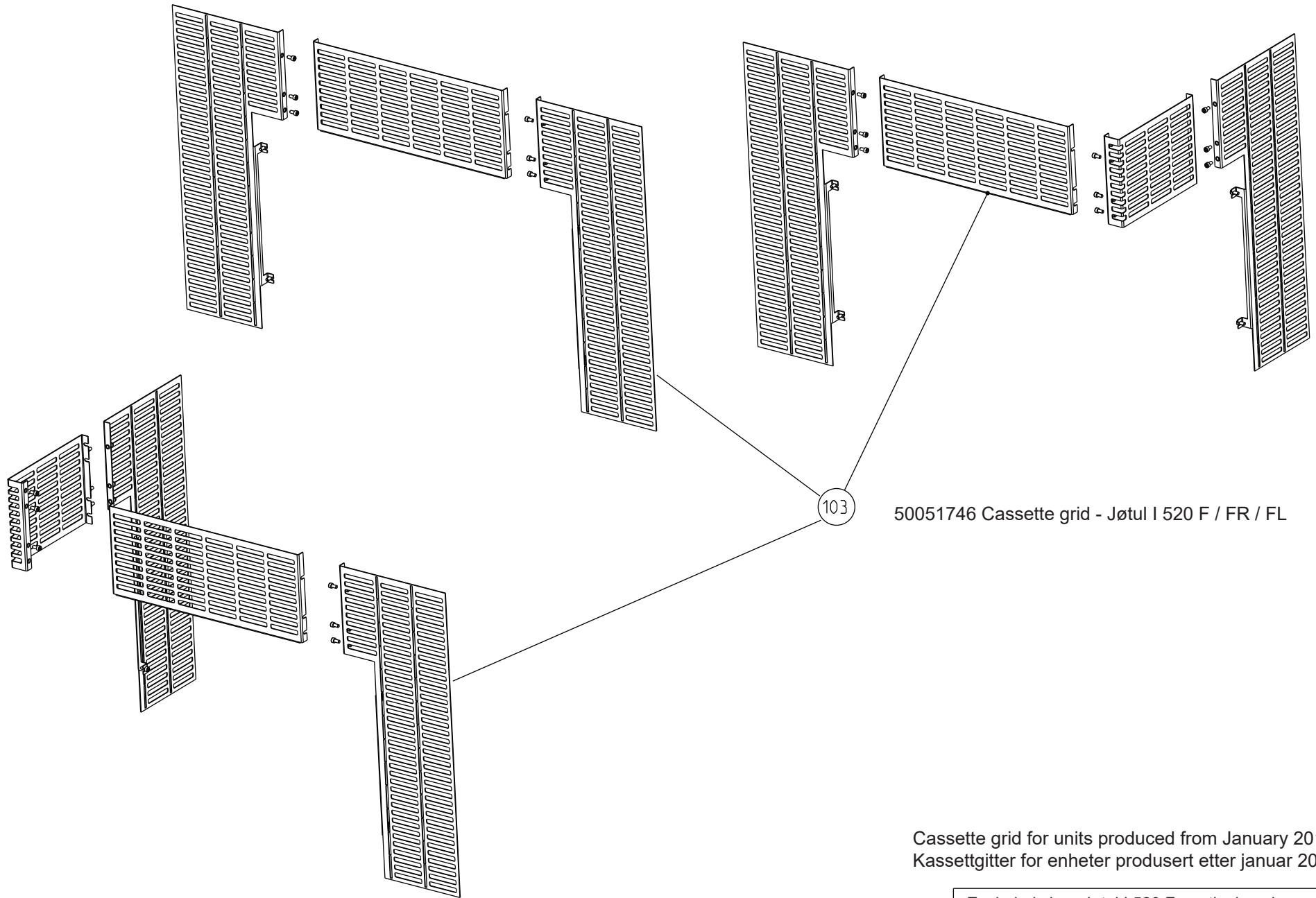
Draw.no: Sheet 4/6
900136-P04

Date:
04.11.2019



XX	Position number
YY	Quantity

Exploded view, Jøtul I 520 F - optional equipment		
Jøtul AS Fredrikstad, Norway	Draw.no: Sheet 5/6 900136-P04	Date: 04.11.2019



50051746 Cassette grid - Jøtul I 520 F / FR / FL

Cassette grid for units produced from January 2018
 Kassettgitter for enheter produsert etter januar 2018

Exploded view, Jøtul I 520 F - optional equipment		
Jøtul AS Fredrikstad, Norway	Draw.no: Sheet 6/6 900136-P04	Date: 04.11.2019

XX	Position number
YY	Quantity

Jøtul I 520 konseptet

Jøtul I 520 F BP cat no 30044743

Jøtul I 520 FL BP cat no 30044744

Jøtul I 520 FR BP cat no 30044745

Jøtul I 520 FRL BP cat no 30044746

BP= Sort lakk/Black Paint

Pos. no.	Spareparts	Benevnelse	Description	Dim./Spec.
1	12044799	Stuss uteluft Ø80/100	Inlet Air Ø80/100	Cast Iron min 4mm thickness
2	12044952	Bunnplate	Bottom Plate	Cast Iron min 4mm thickness
3	12044953	Bakplate	Rear Plate	Cast Iron min 4mm thickness
4	12044954	Topplate Pre. Feb. 2018 Utgått	Top Plate Pre. Feb 2018 discontinued	Cast Iron min 4mm thickness
4	12052982	TOPPLATE MED KLIPS I520 ny Feb.2018	Top Plate with clip New Feb. 2018	Cast Iron min 4mm thickness
5	12044980	Sidestykke	Side Plate	Cast Iron min 4mm thickness
6				
7	12044824	Dør	Door	Cast Iron min 4mm thickness
8	12044959	Spylebrem	Flushing Brim	Cast Iron min 4mm thickness
9	12044960	Brennplate bakre	Burn Plate Rear	Cast Iron min 4mm thickness
10				
11				
12	12044963	Ledeplate	Deflector	Cast Iron min 4mm thickness
13	12044964	Fyrbunn	Inner Bottom	Cast Iron min 4mm thickness
14	12044965	Røkkloke	Flue Outlet	Cast Iron min 4mm thickness
15	12044966	Bunndeksel	Bottom Lid	Cast Iron min 4mm thickness
16	12044967	Bakdeksel	Rear Cover	Cast Iron min 4mm thickness
17	12044968	Dørlist	Door List	Cast Iron min 4mm thickness
18	12044969	Luftkanal høyre	Air Channel Right	Cast Iron min 4mm thickness
19	12044970	Luftkanal venstre	Air Channel Left	Cast Iron min 4mm thickness
20	12044977	Ramme topp/bunn	Frame Topp / Bottom	Cast Iron min 4mm thickness
21				
22	12044974	Kubbestopper	Log Retainer	Cast Iron min 4mm thickness
23	12044975	Luftkanal fyrbunn	Air Distributor Bottom	Cast Iron min 4mm thickness
24	12044855	Lokk uteluft Ø80/100	Lid Air Ø80/100	Cast Iron min 4mm thickness
25				
26	10051708	RAMMEFESTE I 520/620	Frame clip I520/I620	
29	10045737	Skjermplate topp	Heat Shield Top	Aluzinc DX51D AZ
30	12044981	Dør komplett	Door Complete	Cast Iron min 4mm thickness
31	10038449	Skjermplate bakre	Heatshild Rear	Aluzinc DX51D AZ
34	10038459	Ventil opptenning komplett	Valve Ignition Complete	Steel
35	10038460	Ventil primærluft komplett	Valve Primary Air Complete	Steel
36	10038463	Glass dør	Glas Door	Ceramic glass 4mm
37	10038474	Dørhengsel komplett	Door Hinge Complete	Steel
38	10038478	Dørlås komplett høyre	Door Lock Complete Right	Steel
39	10038480	Dørhåndtak komplett høyre	Door Handle Complete Right	Steel
40	10038490	Beslag dørlås	Bracket Door Lock	Steel
41	10038499	Hvelv	Baffle	Vermiculite
42	10038553	Hvelvlås	Baffle Lock	Stainless AISI 316
43	10038555	Ventilhåndtak opptenning	Valve Handle Ignition	Steel
44	10038557	Ventilhåndtak primærluft	Valve Handle Primary Air	Steel
45	10038560	Isol. matte fyrbunn	Insul. Blanket Base Plate	Superwool

Jøtul I 520 konseptet

Jøtul I 520 F BP cat no 30044743

Jøtul I 520 FL BP cat no 30044744

Jøtul I 520 FR BP cat no 30044745

Jøtul I 520 FRL BP cat no 30044746

BP= Sort lakk/Black Paint

Pos. no.	Spareparts	Benevnelse	Description	Dim./Spec.
6	12044956	Lokk side	Lid side	Cast Iron min 4mm thickness
10	12044961	Brennplate høyre	Burn plate right	Cast Iron min 4mm thickness
11	12044962	Brennplate venstre	Burn plate left	Cast Iron min 4mm thickness
21	12044978	Ramme front H/V	Frame front R/L	Cast Iron min 4mm thickness
32	10038450	Skjermplate høyre	Heatshield right	Aluzinc DX51D AZ
33	10038451	Skjermplate venstre	Heatshield left	Aluzinc DX51D AZ
47	10038562	Isolasjonsmatte side	Insulation blanket side	Superwool
for Jøtul I 520 FL BP cat no 30044744:				
6	12044956	Lokk side	Lid side	Cast Iron min 4mm thickness
10	12044961	Brennplate høyre	Burn plate right	Cast Iron min 4mm thickness
25	12044979	Ramme side H/V	Frame side R/L	Cast Iron min 4mm thickness
32	10038450	Skjermplate høyre	Heatshield right	Aluzinc DX51D AZ
47	10038562	Isolasjonsmatte side	Insulation blanket side	Superwool
48	10038464	Glass side	Glass side	Ceramic glass 4mm
59	10023650	Skrue sett M6x50 DIN 916	Socket Set Screw M6x50 DIN 916	Steel
for Jøtul I 520 FR BP cat no 30044745:				
6	12044956	Lokk side	Lid side	Cast Iron min 4mm thickness
11	12044962	Brennplate venstre	Burn plate left	Cast Iron min 4mm thickness
25	12044979	Ramme side H/V	Frame side R/L	Cast Iron min 4mm thickness
33	10038451	Skjermplate venstre	Heatshield left	Aluzinc DX51D AZ
47	10038562	Isolasjonsmatte side	Insulation blanket side	Superwool
48	10038464	Glass side	Glass side	Ceramic glass 4mm
59	10023650	Skrue sett M6x50 DIN 916	Socket Set Screw M6x50 DIN 916	Steel
for Jøtul I 520 FRL BP cat no 30044746:				
25	12044979	Ramme side H/V	Frame side R/L	Cast Iron min 4mm thickness
48	10038464	Glass side	Glass side	Ceramic glass 4mm
59	10023650	Skrue sett M6x50 DIN 916	Socket Set Screw M6x50 DIN 916	Steel
Ekstra utstyr			Optionals	
100	51044759	Benstativ komplett	Rack complete	
111	12044838	Benstativ topp	Leg frame top	Cast Iron min 4mm thickness
112	12016626	Ben	Leg	Cast Iron min 4mm thickness

Jøtul I 520 konseptet

Jøtul I 520 F BP cat no 30044743

Jøtul I 520 FL BP cat no 30044744

Jøtul I 520 FR BP cat no 30044745

Jøtul I 520 FRL BP cat no 30044746

BP= Sort lakk/Black Paint

Pos. no.	Spareparts	Benevnelse	Description	Dim./Spec.
113	12014969	Skjøtestykke for ben	Connector for leg	Cast Iron min 4mm thickness
114	10026167	Fotskrue	Foot Screw	Steel
115	10023667	6kt mutter m/f M8 DIN6923 8	Hex flange nut M8 DIN6923 8	Steel
56	10023663	6kt skr m/fl M8x25 DIN6921 8.8	Hex Fl Bolt DIN6921-M8x25-8.8	Steel
101	50045755	Konveksjonstopp komplett I520 F	Convection top complete I520 F	
125	10038452	Konveksjonstopp m/stuss	Convection top incl outlet	Aluzink DX 51 D+AS
60	10023680	Skrue platesekskant flens 4,2x13 DIN 6928	Tapping Screw 4,2x13 DIN 6928	Steel
102	50045754	Dørlås komplett høyrehengsel I520	Door Lock Complete Right Hinge I520	
103	50051746	Kassettrist I 520 FR/FL/F	Cassette Grid I 520 FR/FL/F	
106	50045750	Ramme bred I520 F	Frame Wide I520 F	
107	50045751	Ramme bred I520 FL/FR	Frame Wide I520 FL/FR	
108	50045752	Ramme bred I520 FRL	Frame Wide I520 FRL	
121		Skrue sylh innv6k DIN 912 M6x12	Hex Socket Head Cap Screw DIN 912 M6x12	Steel
122		Ramme bred front	Frame Wide Front	Steel
123		Ramme bred H/V	Frame Wide R/L	Steel
124		Ramme bred side H/V	Frame Wide Side H/L	Steel

900139-P05