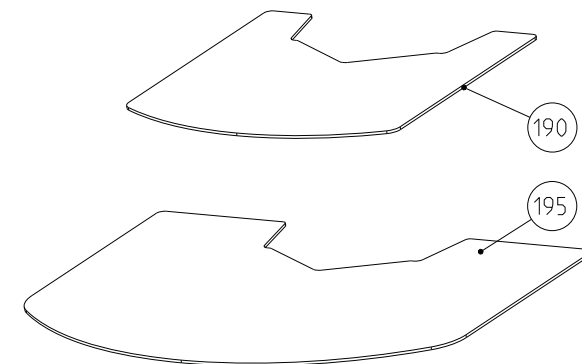
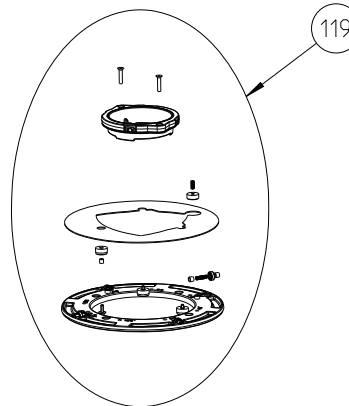
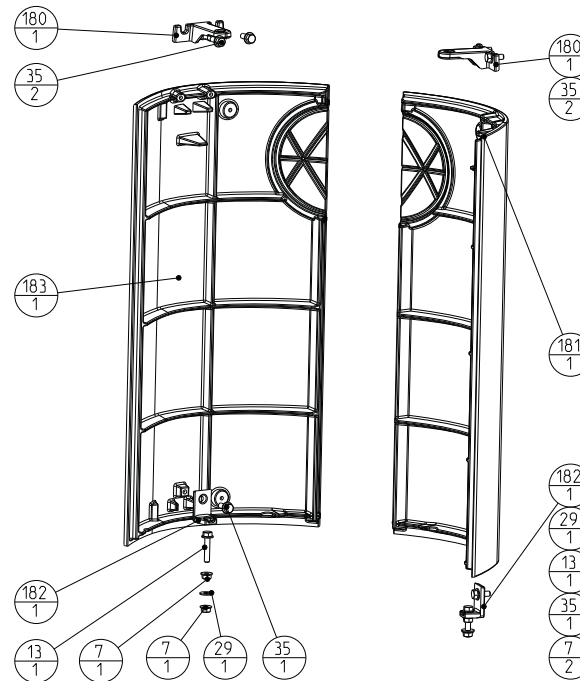
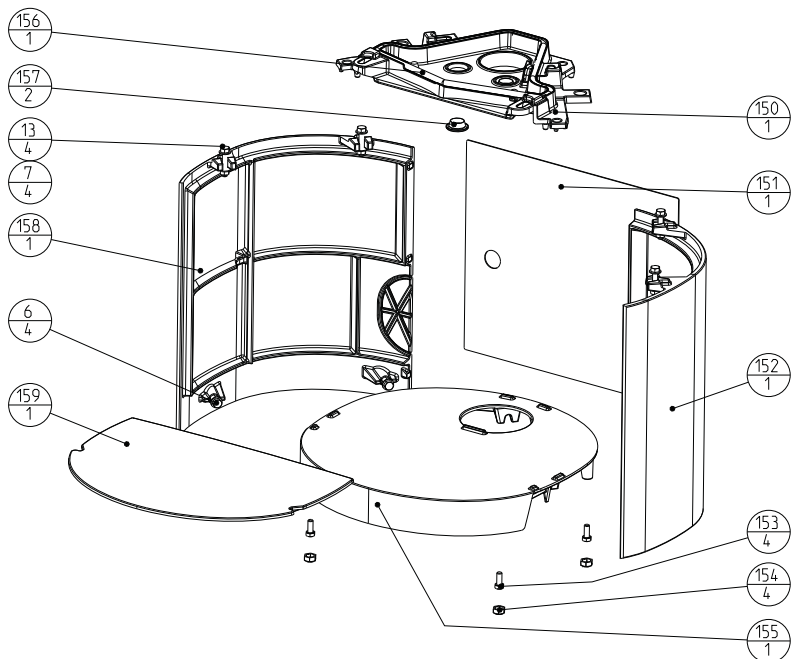
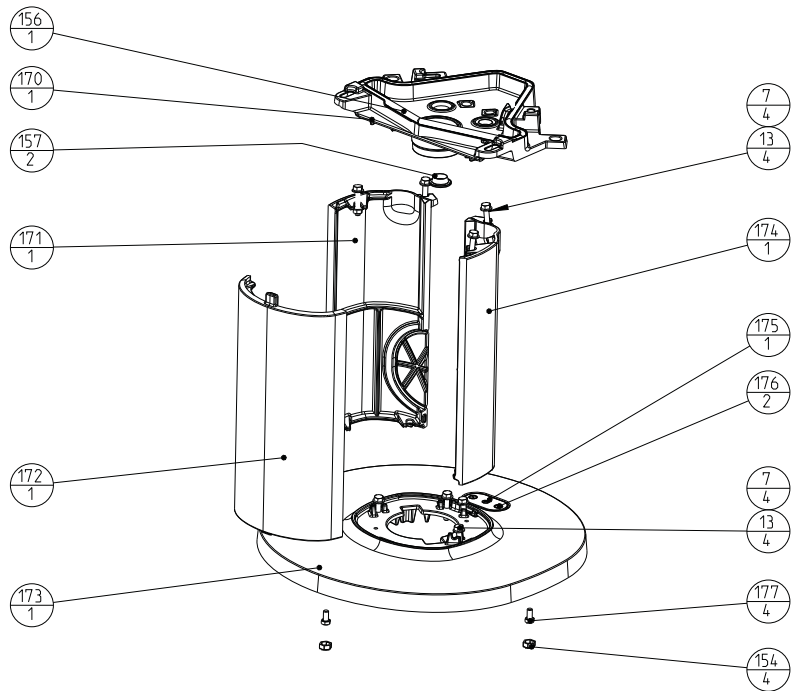


Partlist, Jøtul F 480

Jøtul AS Fredrikstad, Norway	Draw.no: Sheet 1 900170-P01	Date: 17.12.2014
---------------------------------	--------------------------------	---------------------



Partlist, Jøtul F 480

Jøtul AS
Fredrikstad, Norway

Draw.no: Sheet 2
900170-P01

Date:
17.12.2014

		Jøtul F 480			
		Jøtul F 480 BP Burnchamber cat. no. 30047088			
		<i>BP= Sort lakk/Black Paint, UP= Ulakkert/Unpainted</i>			
<i>Pos. no.</i>	<i>Spareparts</i>	<i>Consist of pos.no:</i>	<i>Benevnelse</i>	<i>Description</i>	<i>Dim./Spec.</i>
1	12019471		Luftkanal fremre BP	Air Manifold Front BP	Cast Iron min 4mm thickness
2	10023663		Skrue sekskant med flens M8x25 DIN 6921	Screw hex cap flange M8x25 DIN 6921	St8.8 / ANSI B18.2
3	12019368		Sideplate venstre indre UP	Side Plate Left Inner UP	Cast Iron min 4mm thickness
4	12019417		Hvelv høyre UP	Baffle Right UP	Cast Iron min 4mm thickness
5	12019415		Hvelv venstre UP	Baffle Left UP	Cast Iron min 4mm thickness
6	10023664		Skrue sekskant med flens M8x30 DIN 6921	Screw hex cap flange M8x30 DIN 6921	St8.8 / ANSI B18.2
7	10023667		Mutter sekskant med flens M8 ubeh. DIN 6923	Nut hex cap flange M8 untr. DIN 6923	St8.8 / ANSI B18.2
8	12036640		Hengsel øvre UP	Hinge Upper UP	Cast Iron min 4mm thickness
9	10023661		Skrue sekskant med flens M8x16 DIN 6921	Screw hex cap flange M8x16 DIN 6921	St8.8 / ANSI B18.2
10	12039573		Topp plate nedre BP	Top Plate lower BP	Cast Iron min 4mm thickness
11		50027205 (5m)	Pakning for røykhullsdeksel/stuss	Gasket for Smoke Outl.and Smoke Outl. Cover	LD 250-2 Ø6,4x600mm
12	12021689	11,12	Røkstuss Ø150 driplless UP	Smoke outl Ø150 driplless UP	Cast Iron min 4mm thickness
13	10023665		Skrue sekskant med flens M8x40 DIN 6921	Screw hex cap flange M8x40 DIN 6921	St8.8 / ANSI B18.2
14	10023725		Skr Senkh Innv6k M6x25, delgjenget 6mm	Screw Flat IntHex M6x25, Part Thread 6mm	St8.8 / ANSI B18.2
15	10023998		Hylse til øvre og nedre dørlås	Sleeve For Upper And Lower Door Lock	Ø10xØ6,2x15mm, Steel
16			Dørlås øvre UP	Dørlås Upper UP	Cast Iron min 4mm thickness
17	12039550		Dørlås øvre komplett UP	Dørlås Upper Complete UP	
18	12019419		Ledeplate venstre UP	Deflector Left UP	Cast Iron min 4mm thickness
19	12019421		Ledeplate høyre UP	Deflector Right UP	Cast Iron min 4mm thickness
20	12018877		Deksel røykhull UP	Smoke Outl Cover UP	Cast Iron min 4mm thickness
21		50027205 (5m)	Pakning mellom bakplate og brennplate	Gasket Between Rear Plate and Burnplate	LD-250-2 graph Ø6,4x470mm
22		50027218(5m)	Pakning foran på luftkanal topp	Gasket For Front Of Air Manifold Rear	T1000 W/A Ø7,5x400mm
23			Luftkanal topp øvre UP	Air Manifold Top Upper UP	Cast Iron min 4mm thickness
24		50027205 (5m)	Pakning bak på luftkanal topp	Gasket For Rear Of Air Manifold Rear	LD-250-2 graph Ø6,4x410mm
25			Luftkanal topp nedre UP	Air Manifold Top Lower UP	Cast Iron min 4mm thickness
26	12039575	7,22,23,24,25,27,28,29	Luftkanal topp komplett UP	Air Manifold Top Complete UP	
27	10023497		Skr Senkh Innv6k M6x40 DIN 7991	Screw Flat IntHex M6x40 DIN 7991	St8.8 / ANSI B18.2
28	10038283		Skrue Sekskanthode M8x80 DIN 933	Screw Hexagon Cap M8x80 DIN 933	St8.8 / ANSI B18.2
29	10023559		Skive Ø8,4xØ20x1.5 DIN 522	Washer Ø8.4xØ20x1.5 DIN 522	St8.8 / ANSI B18.2
30	1123660		Skrue sekskant med flens M8x12 DIN 6921	Screw hex cap flange M8x12 DIN 6921	St8.8 / ANSI B18.2
31	12043275		Ledeplate nedre UP	Deflector Lower UP	Cast Iron min 4mm thickness
32	12018896		Skål topp BP	Smoke Outlet Bowl BP	Cast Iron min 4mm thickness
33	12018891		Lufferist topp BP	Air Outlet Top BP	Cast Iron min 4mm thickness
34	12047779		Topp plate øvre BP	Top- Plate Upper BP	Cast Iron min 4mm thickness
35	10023662		Skrue sekskant med flens M8x20 DIN 6921	Screw hex cap flange M8x20 DIN 6921	St8.8 / ANSI B18.2
36		50027212 (5m)	Pakning for røykrør	Gasket for Flue Pipe	WT-187x18,4 W/A L660
37	12019393		Luftkanal bakre	Air Manifold Rear	Cast Iron min 4mm thickness
38	12019374		Bakplate UP	Rear Plate UP	Cast Iron min 4mm thickness
39	12019632		Brennplate foran venstre UP	Burnplate Front Left	Cast Iron min 4mm thickness
40	10044941		Brennplate venstre	Burnplate Left	Vermiculite
41	10044941		Brennplate bakre	Burnplate Rear	Vermiculite
42	10044941		Brennplate høyre	Burnplate Right	Vermiculite
43	12019634		Brennplate foran høyre UP	Burnplate Front Right	Cast Iron min 4mm thickness
44	12019370		Sideplate høyre indre	Side Plate Right Inner	Cast Iron min 4mm thickness
45	12019399		Luftkanal side høyre UP	Air Manifold Side Right UP	Cast Iron min 4mm thickness
46	12019397		Luftkanal side venstre UP	Air Manifold Side Left UP	Cast Iron min 4mm thickness
47	10026552		Skakestang	Riddeling Bar	Steel
48		50027205 (5m)	Pakning til bunnplate	Gasket For Bottom Plate	LD-250-2 graph Ø6,4x650mm
49	12039574		Bunnplate BP	Bottom Plate BP	Cast Iron min 4mm thickness

		Jøtul F 480			
		Jøtul F 480 BP Burnchamber cat. no. 30047088			
		<i>BP= Sort lakk/Black Paint, UP= Ulakkert/Unpainted</i>			
<i>Pos. no.</i>	<i>Spareparts</i>	<i>Consist of pos.no:</i>	<i>Benevnelse</i>	<i>Description</i>	<i>Dim./Spec.</i>
50	12039570		Frontplate BP	Front Plate BP	Cast Iron min 4mm thickness
51	12019388		Bunnplate indre UP	Bottom Plate Inner UP	Cast Iron min 4mm thickness
52	12019402		Skakerist UP	Riddeling Grate UP	Cast Iron min 4mm thickness
53	12021929		Askeskuff komplett BP	Ash Pan Complete BP	Cast Iron / Steel
54	12019626		Askelist BP	Ash Retainer BP	Cast Iron min 4mm thickness
55	10037359		Hylse til ventilplater	Sleeve For Valve Plates	Ø10xØ8x15mm, Steel
56	10026565		Fjær for ventiler	Spring For Valves	Stainless spring steel
57	10023672		Washer Ø10.1xØ19.4x0.9 Special	Skive M10 Ø10,1xØ19,4x0,9 Spesial	Steel Black chromated Special
58	10026483		Ventilplate primærluft	Valve Plate Primary Air	Steel
59	10023595		Skrue senkhode Innvendig Sekskant M8x16	Screw Countersunk Cap Internal Hex. M8x16	St8.8 / ANSI B18.2 Black DIN 7991
60	12036634		Hengsel nedre UP	Hinge Lower UP	Cast Iron min 4mm thickness
61	10026081		Fjær for selvlukkende dør	Spring For Self Closing Door	Stainless Steel Ø9xL114xT1
62	12039547		Handtak primærluft BE	Valve Handle Primary Air BE	Cast Iron min 4mm thickness
63	12039548		Handtak opptenning BE	Valve Handle Ignition BE	Cast Iron min 4mm thickness
64	12036637		Dørlås nedre UP	Dørlås Lower UP	Cast Iron min 4mm thickness
65	10023645		Skrue senkhode Innvendig Sekskant M6x40	Screw Countersunk Cap Internal Hex. M6x40	St8.8 / ANSI B18.2 Black DIN 7991
66	10023666		Mutter sekskant med flens M6 ubeh. DIN 6923	Nut hex cap flange M6 untr. DIN 6923	St8.8 / ANSI B18.2
67	10026484		Ventilplate opptenning	Valve Plate Ignition	Steel
68	10026482		Glass dør	Glass Door	555x421x128 Ceramic glass 4mm thick
69			Dør F 470/480 BP	Door F 470 BP	Cast Iron min 4mm thickness
70	12039576	69,71-90	Dør komplett u/glass BP	Door Complete Excl/Glass BP	
71		50027205 (5m)	Pakning til dørglass	Gasket for Door Glass	LD-250-2 graph Ø6,4x2100mm
72	10023561		Skrue Sylh Innv6k Lavh M6x8 DIN 7984	Screw Cylh InthexLowh M6x8 DIN 7984	St8.8 / ANSI B18.2
73	10023464		Skive Ø6,4xØ12,5x1.6 ElZn DIN 125	Washer Ø6.4xØ12.5x1.6 ElZn. DIN 125	St8.8 / ANSI B18.2
74	10024245		Glassklips	Glass clip	1mm Stainless steel
75		50027203 (5m)	Dørpakning mot frontplate	Door Gasket Towards Front Plate	LD 375-2 Ø9,5x450mm
76	12043265		Glassholder høyre m/pakning BP	Glass Holder Right Incl/Gasket BP	Cast Iron min 4mm thickness
77	10038252		Låsemekanisme komplett	Locking Mechanism Complete	
78	10023588		Skr Sylh Innv6k M6x12 DIN 912	Scr Cylh Inthex M6x12 DIN 912	St8.8 / ANSI B18.2
79		50027203 (5m)	Pakning mellom glassholder og dør	Gasket Between Glass Holder And Door	LD 375-2 Ø9,5x1500mm
80	12041708		Glassholder venstre m/pakning BP	Glass Holder Left Incl/Gasket BP	Cast Iron min 4mm thickness
81	10023541		Skrue sekskant med flens M6x16 DIN 6921	Screw hex cap flange frame M6x16 DIN 6921	St8.8 / ANSI B18.2
82	10023545		Skrue sekskant med flens M6x12 DIN 6921	Screw hex cap flange frame M6x12 DIN 6921	St8.8 / ANSI B18.2
83	12039549		Handtak Dør BE	Handle Door BE	Cast Iron min 4mm thickness
84	10024339		Skive Ø6.2x12x1.8 Messing	Washer Ø6.2x12x1.8 Brass	Brass
85	10024103		Nagle Ø6x33mm svartkromatisert	Hinge Pin Ø6x33mm Black-Chromated	Steel
86	10023544		Skrue sekskant med flens M6x10 DIN 6921	Screw hex cap flange frame M6x10 DIN 6921	St8.8 / ANSI B18.2
87	10026078		Brakett for selvlukkende dør	Bracket For Self Closing Door	Steel
88		50027204 (5m)	Pakning under glass	Gasket under Glass	V-125x40mm graph W/A
89	10026076		Demper for dørhandtak	Damper For Door Handle	Silicone
90	10024253		Brikke for demper	Bracket For Damper	Stainless Steel
Jøtul F 270/370/470/F480 Revolving Pedestal cat. no. 51012254					
119	51012254		Se egen reservedelsliste og tegning	See seperate Spare Part List and Drawing	

		Jøtul F 480			
		Jøtul F 480 BP Burnchamber cat. no. 30047088			
		<i>BP= Sort lakk/Black Paint, UP= Ulakkert/Unpainted</i>			
<i>Pos. no.</i>	<i>Spareparts</i>	<i>Consist of pos.no:</i>	<i>Benevnelse</i>	<i>Description</i>	<i>Dim./Spec.</i>
Jøtul F 481 Cast Iron base cat no. 51047110					
150	12047116		Sokkel topp plate UP	Base topp plate UP	Cast Iron min 4mm thickness
151	10047025		Sokkel deksel BP	Base cover	Steel Black
152	12047835		Sokkel side høyre BP	Right side base	Cast Iron min 4mm thickness
153	10023469		Skrue Sekskanthode M8x20 DIN 933	Screw Hexagon Cap M8x20 DIN 933	St8.8 / ANSI B18.2
154	10026268		Beskyttelseshette M8 sekskant svart	Protection cap M8 Hexagon black	Polypropylene
155	12047837		Sokkel bunn plate BP	Base bottom plate	Cast Iron min 4mm thickness
156		50027203 (5m)	Pakning til topp av sokkel	Gasket For Top Off Base	LD 375-2 Ø9,5x950mm
157	10026563		Karrosseriplugg gummi	Body Plug Rubber	Ø 25mm, Rubber
158	12047838		Sokkel side venstre BP	Left base side	Cast Iron min 4mm thickness
159	12047839		Sokkel hylle BP	Base shelf	Cast Iron min 4mm thickness
Jøtul F 481 Cast Iron pedestal cat no. 51047117					
170	12046972		Søyle topplate UP	Pedestal Top plate	Cast Iron min 4mm thickness
171	12047872		Søyle venstre side BP	Pedestal Left side	Cast Iron min 4mm thickness
172	12047873		Søyle frontdeksel BP	Pedestal front cover	Cast Iron min 4mm thickness
173	12047874		Søyle bunn BP	Pedestal bottom plate	Cast Iron min 4mm thickness
174	12047874		Søyle side høyre BP	Pedestal Right side	Cast Iron min 4mm thickness
175	12019237		Søyle bremselokk BP	Brake Cover BP	Cast Iron min 4mm thickness
176	10023707		Skrue senkhode Innvendig Sekskant M6x10	Screw Countersunk Cap Internal Hex. M6x10	St8.8 / ANSI B18.2 DIN 7991
177	10023465		Skrue Sekskanthode M8x16 DIN 933	Screw Hexagon Cap M8x16 DIN 933	St8.8 / ANSI B18.2 DIN933
Jøtul F 480 Cast Iron Side plates Cat no. 51047124					
180	12049097		Brakett side/topp UP	Bracket Side/Topp	Cast Iron min 4mm thickness
181	12047227		Side høyre BP	Right Side	Cast Iron min 4mm thickness
182	12049098		Brakett side/bunn UP	Bracket Side/Bottom	Cast Iron min 4mm thickness
183	12047226		Side venstre BP	Side Left	Cast Iron min 4mm thickness
Jøtul F 480 Floor Plate					
190	51047511		Gulvplate glass nordisk F 480	Glass Floor Plate Nordic F 480	Glass 6mm
190	50047513		Gulvplate stål nordisk F 480	Steel Floor Plate Nordic F 480	Steel 2mm
195	50047507		Gulvplate Glass DE F 480	Glass Floor Plate DE F 480	Glass 6mm
195	51047514		Gulvplate stål DE F 480	Steel Floor plate DE F 480	Steel 2mm

Draw. no. 900170-P01