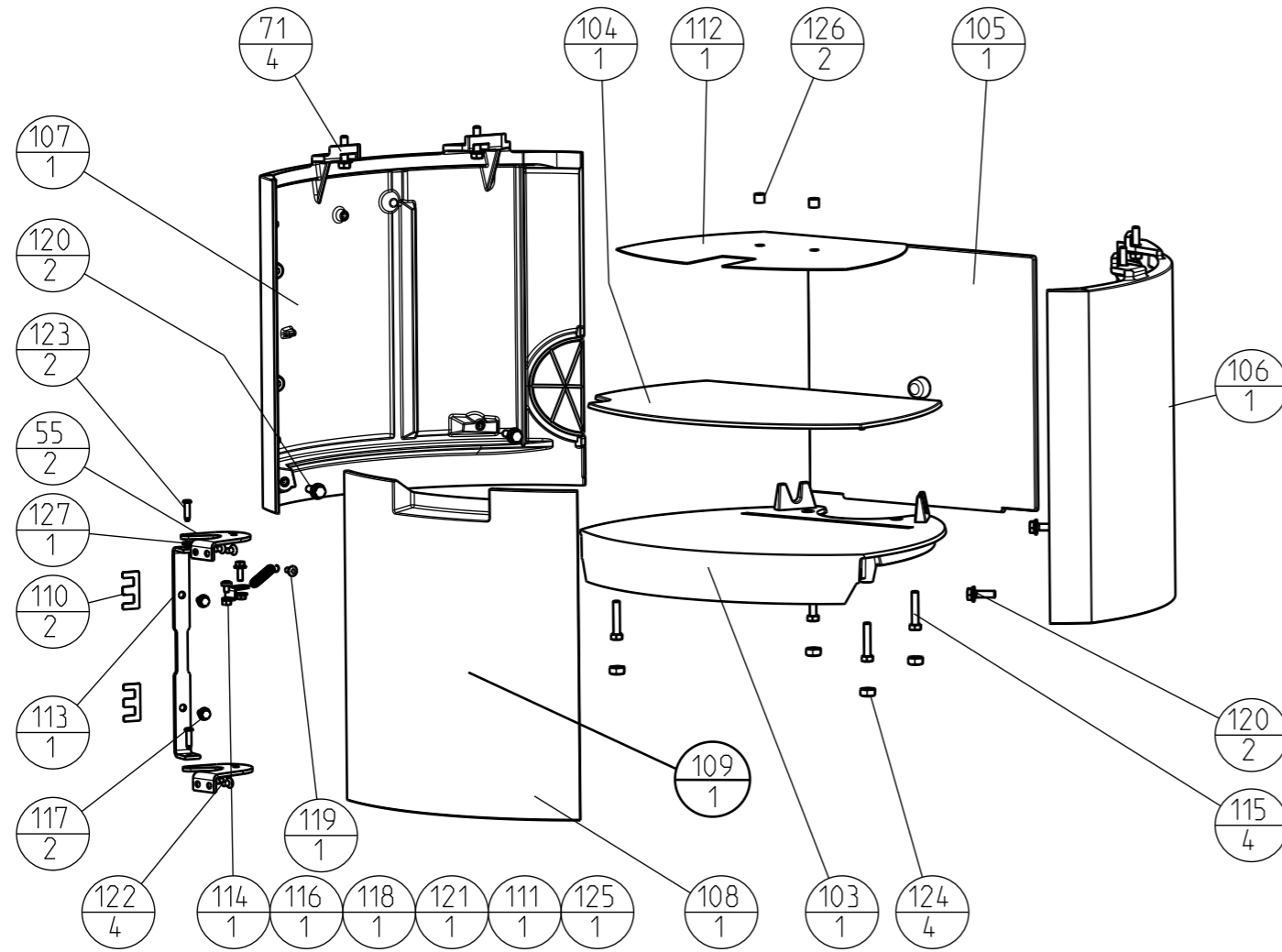
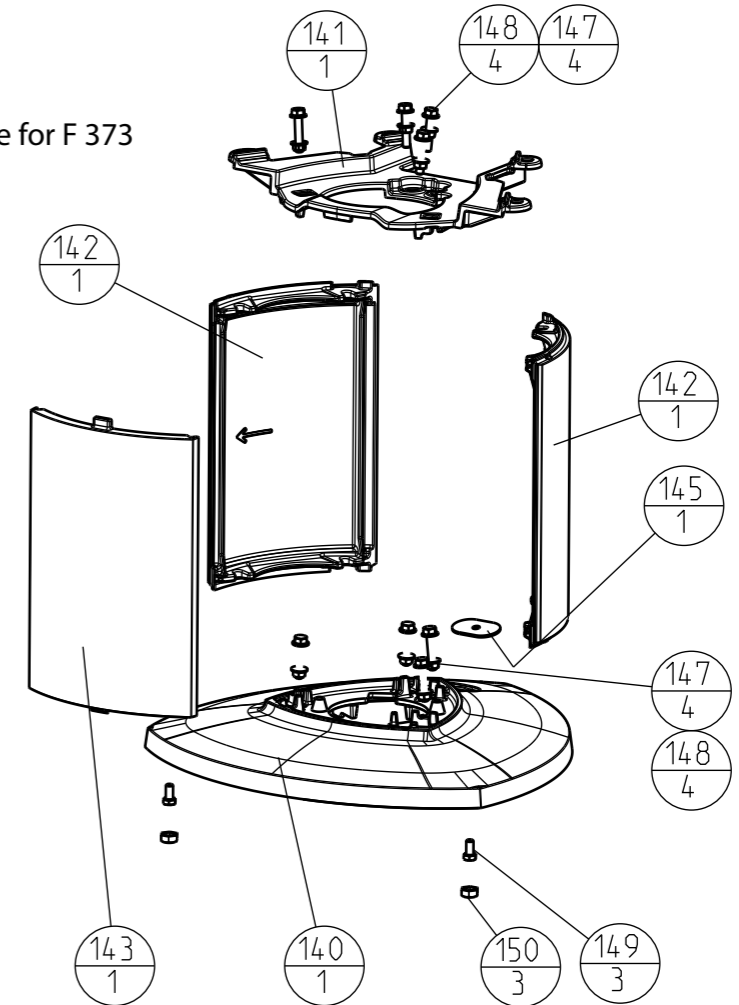


XX - Position number  
 YY - Quantity

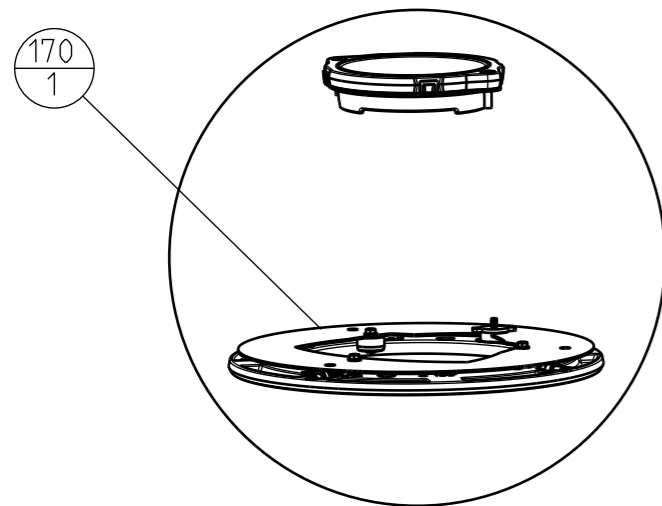
Base/Sokkel for F 371/F 377/F 378



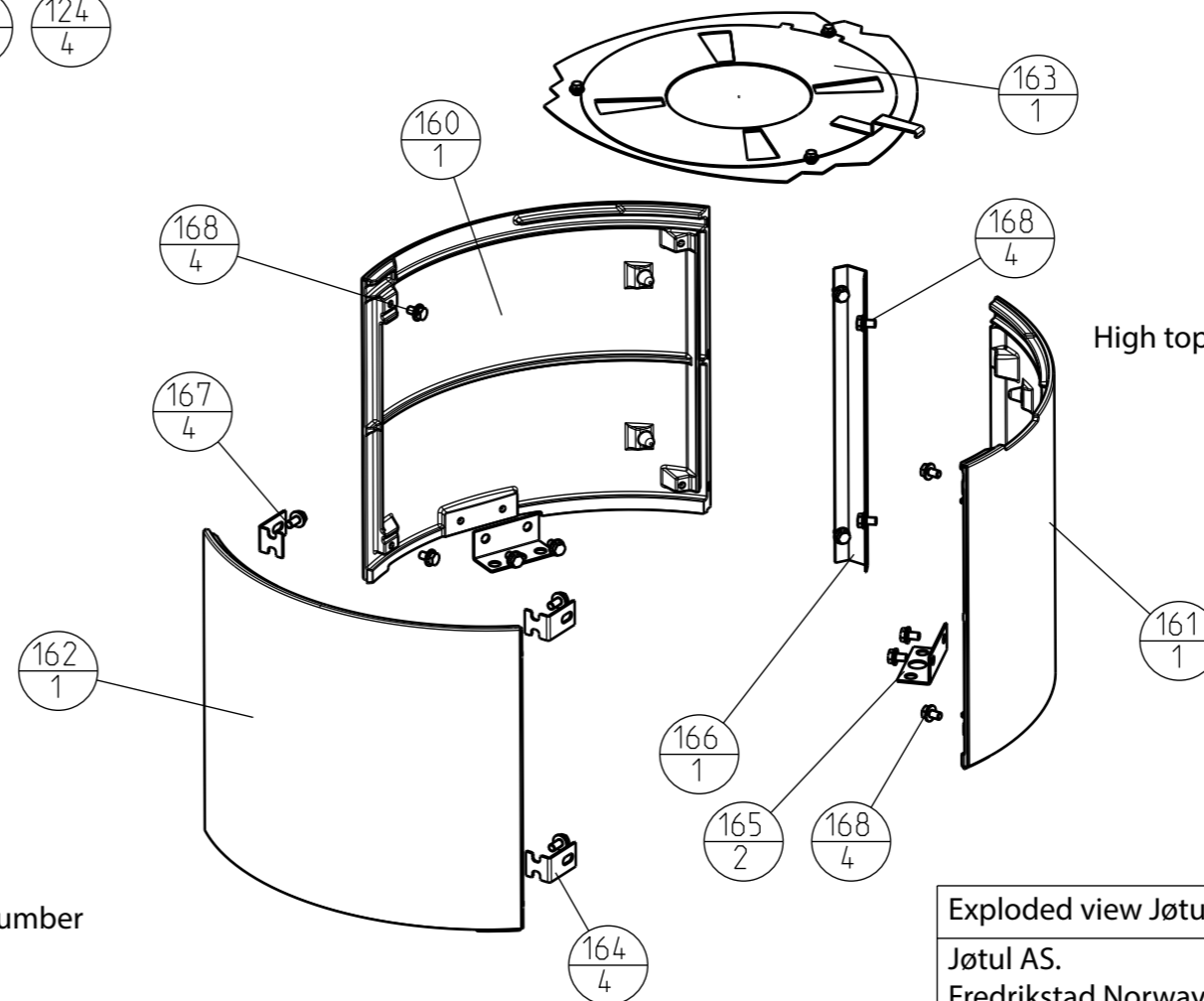
Pedestal/søyle for F 373



Rotation kit/Dreiesett for F 373



High top for F 371/ F 377/ F 378



XX - Position number  
YY - Quantity

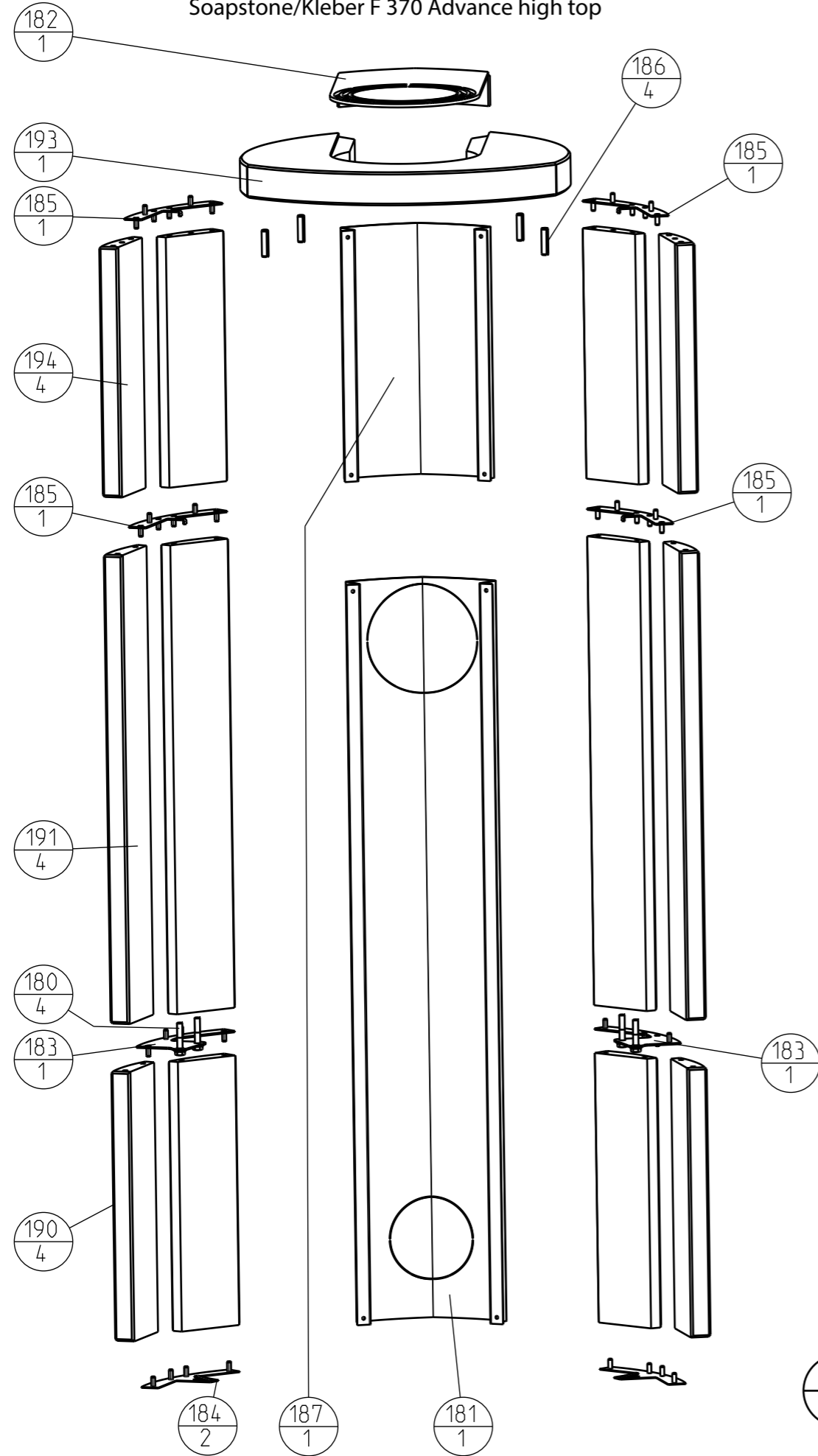
Exploded view Jøtul F 360v2/F 370v2 Advance

Jøtul AS.  
Fredrikstad Norway

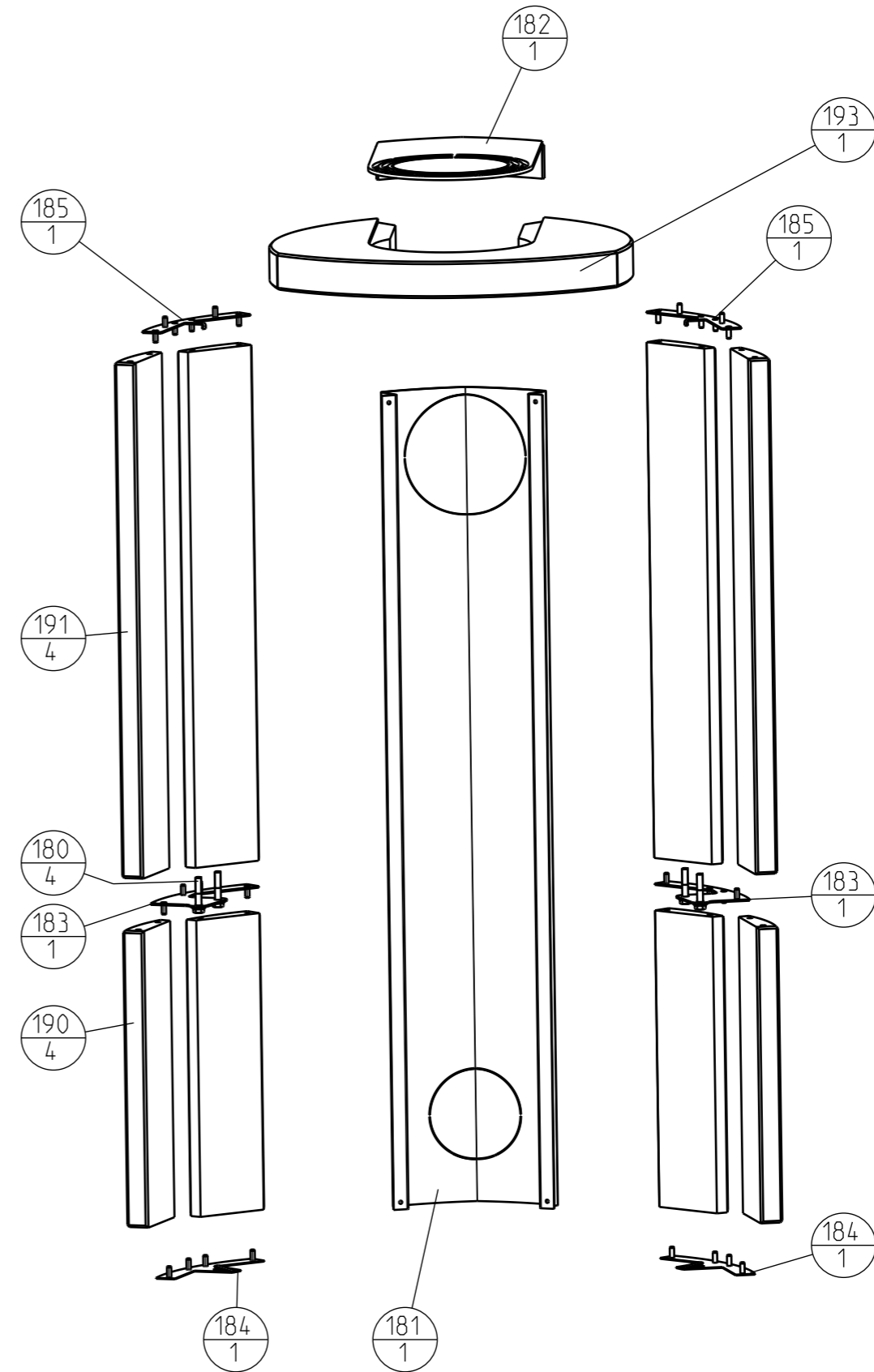
Draw no:900357-P03  
Page 2 of 4

Date: 22.02.23

Soapstone/Kleber F 370 Advance high top



Soapstone/Kleber F 370 Advance



XX XX - Position number  
YY YY - Quantity

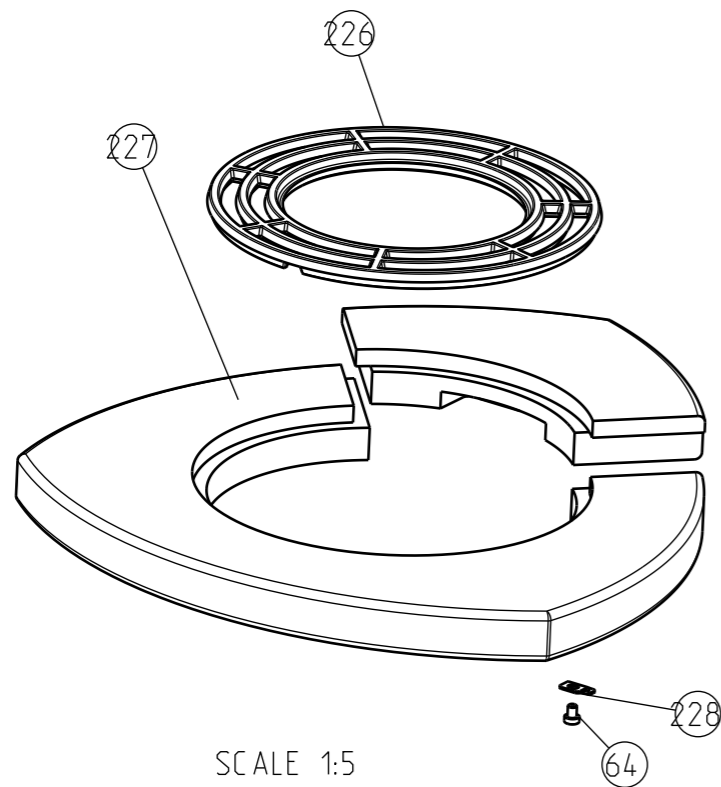
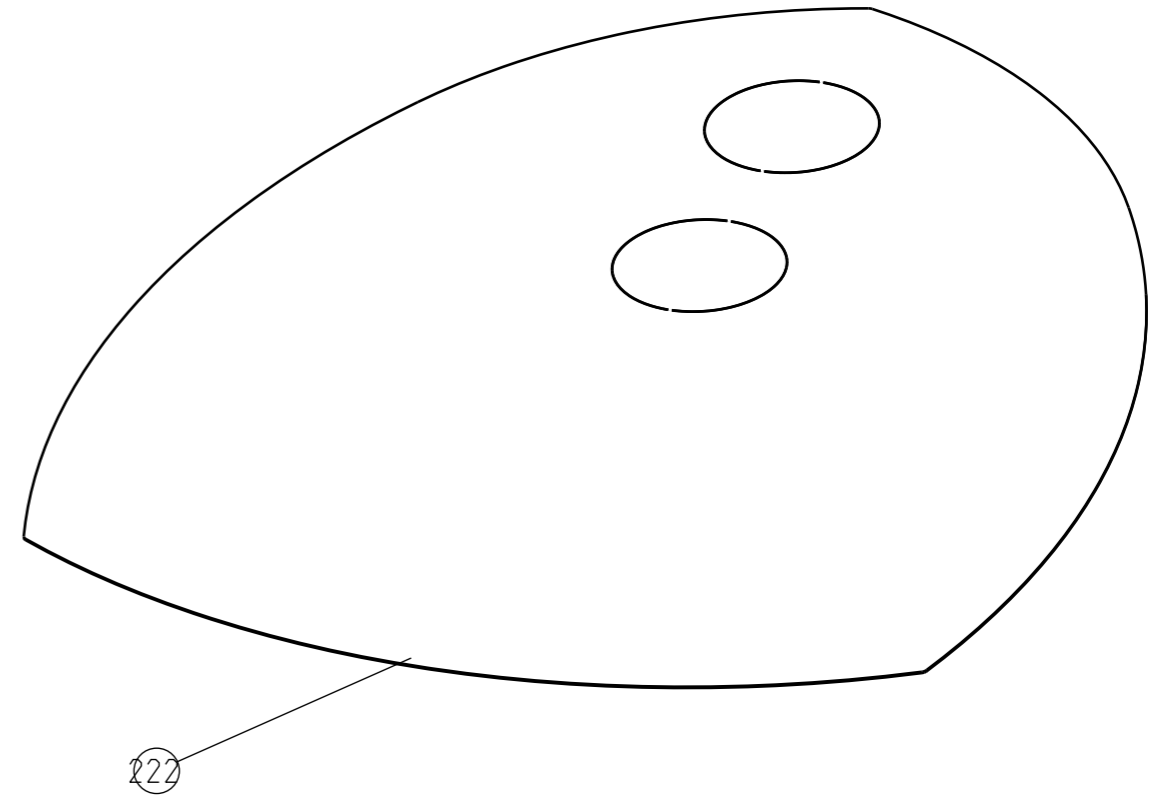
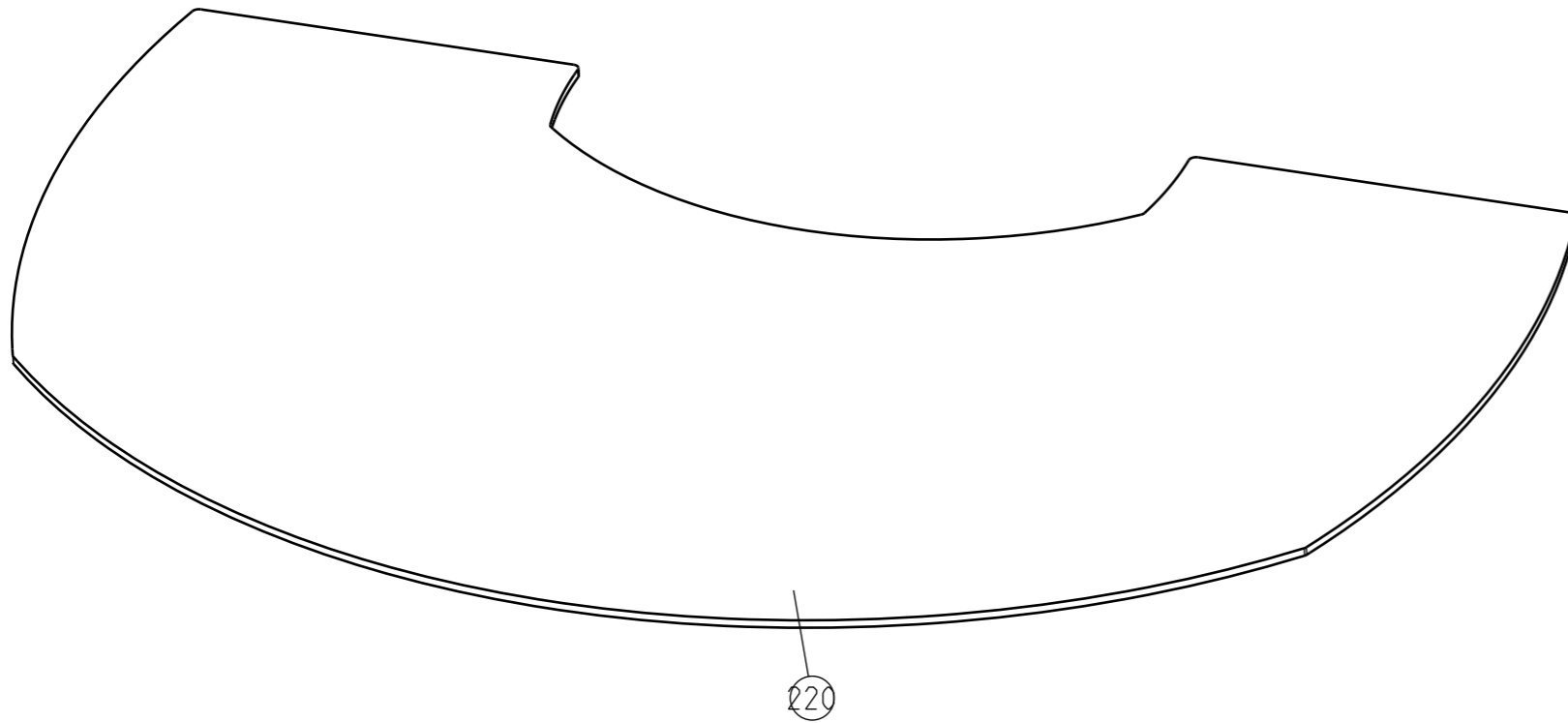
Exploded view Jøtul F 360v2/F 370v2 Advance

Jøtul AS.  
Fredrikstad Norway

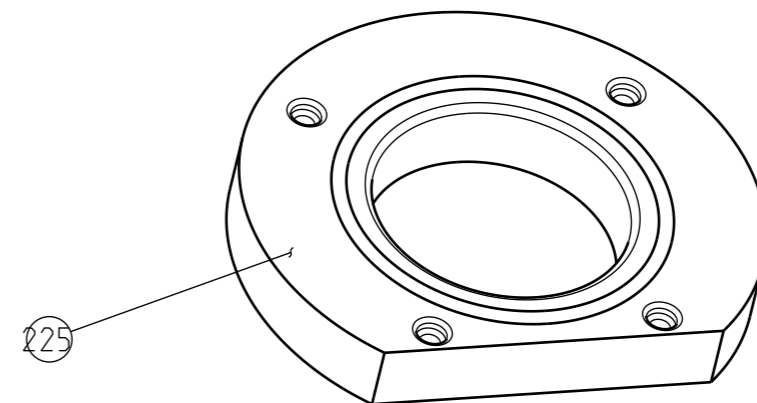
Draw no:900357-P03  
Page 3 of 4

Date: 22.02.23

# Optinal equipment/Tilleggsutstyr



SCALE 1:5



Exploded view Jøtul F 360v2/F 370v2 Advance		
Jøtul AS. Fredrikstad Norway	Draw no:900357-P03 Page 4 of 4	Date: 22.02.23

## Jøtul F 370v2 / F 360v2 Advance

F 370v2 Advance Burnchamber BP cat no 30061058,

F 370v2 Advance Burnchamber WHE cat no 30061059

F 360v2 Advance BP cat no 30061060

BP= Sort lakk/Black Paint

<b>Pos. no.</b>	<b>Spareparts</b>	<b>Benevnelse</b>	<b>Description</b>	<b>Dim./Spec.</b>
1	12061810	Dør komplett u/glass BP	Door compl without Glas BP	Cast Iron min 5mm thickness
1	12063237	Dør komplett u/glass WHE	Door compl without Glas WHE	Cast Iron min 5mm thickness
2	12051382	Front BP	Front BP	Cast Iron min 5mm thickness
3	12051383	Sidestykke venstre BP	Sideplate Left BP	Cast Iron min 5mm thickness
3	12052473	Sidestykke venstre WHE	Sideplate Left WHE	Cast Iron min 5mm thickness
4	12051384	Sidestykke Høyre BP	Sideplate Right BP	Cast Iron min 5mm thickness
4	12052475	Sidestykke Høyre WHE	Sideplate Right WHE	Cast Iron min 5mm thickness
5	12050835	Bakplate	Back plate	Cast Iron min 5mm thickness
6	12050836	Kanal bak	Air Manifold back	Cast Iron min 5mm thickness
7	12051488	Uteluftdeksel	Cover outside air	Cast Iron min 5mm thickness
8	12061143	Bunnplate komplett	Bottom plate	Cast Iron min 5mm thickness
9	12053047	Fyrbunn BP	Botom plate Inner BP	Cast Iron min 5mm thickness
10	12050672	Fyrbunnrist	Grate	Cast Iron min 5mm thickness
11	12031212	Askeskuff front BP	Ash Pan Front BP	Cast Iron min 5mm thickness
12	21055943	Brennplate bakre MWE	Burnplate Rear MWE	Cast Iron min 5mm thickness
13	12050837	Ledeplate	Exhaust Defelctor	Cast Iron min 5mm thickness
14	12051386	Ledeplate øvre	Exhaust Defelctor second	Cast Iron min 5mm thickness
15	12050838	Kanal topp	Air Manifold top	Cast Iron min 5mm thickness
16	12051387	Travers	Traverse	Cast Iron min 5mm thickness
17	12050839	Røykhullsdeksel	Smoke outlet cover	Cast Iron min 5mm thickness
18	12050812	Topplate	Top Plate	Cast Iron min 5mm thickness
19	12051469	Øvre topplate BP	Upper Top Plate BP	Cast Iron min 5mm thickness
19	12052477	Øvre topplate WHE	Upper Top Plate WHE	Cast Iron min 5mm thickness
20	12050827	Håndtak (dummy) BP	Handle (dummy) BP	Cast Iron min 5mm thickness
20	12053061	Håndtak (dummy) WHE	Handle (dummy) WHE	Cast Iron min 5mm thickness
21	12050821	Håndtak BP	Handle BP	Cast Iron min 5mm thickness
21	12053062	Håndtak WHE	Handle WHE	Cast Iron min 5mm thickness
22	10023464	Skive Ø6,4XØ12,5X1,6	Washer Ø6,4XØ12,5X1,6	Steel 8,8 ELZ
23	12051468	Øvre topp skål BP	Upper Top Bowl BP	Cast Iron min 5mm thickness

23	12052481	Øvre topp skål WHE	Upper Top Bowl WHE	Cast Iron min 5mm thickness
24	10023547	6kt skr m/fl M6X35 DIN6921 8.8	Hex FI Bolt DIN6921-M6x35-8.8	Steel
25	12021689	Røktuss Ø150 dripless UP	Smoke outl Ø150 dripless UP	Cast Iron min 5mm thickness
26	12051498	Hendel front BP	Valve handle front BP	Cast Iron min 5mm thickness
26	12053473	Hendel front WHE	Valve handle front WHE	Cast Iron min 5mm thickness
27	12051388	Mellomstykke ventil hendel	Middle section valve handle	Cast Iron min 5mm thickness
28	10050650	Pakning uteluft	Gasket Outside Air	Glass Paper
29	10050648	Isolasjonsmatte bak	Insulation Blanket Rear	Superwool
30	10050651	Isolasjonsmatte bunnplate	Insulation Blanket Bottomplate	Superwool
31	10050640	Pakning brennplate	Gasket Burnplate	Superwool
32	10050637	Pakning topplate	Gasket Top plate	Superwool
33	10050379	Pakning Bunnplate	Gasket Bottom plate	Superwool
34		Pakning røykhullsdeksel	Gasket Smoke Outlet Cover	LD-250-2 graph Ø6,4x600mm
35		Pakning Røykstuss	Gasket Smoke Outlet	LD-250-2 graph Ø6,4x600mm
36		Pakning Dør glass	Gasket Door glas	LD-250-2 graph Ø6,4x2100mm
37		Pakning Side glass	Gasket Side Glas	LD-250-2 graph Ø6,4x1500mm
38		Pakning Mellom Dør og Front	Gasket Between Door and Front	ROPE 400"GRAPH SS JAC
39	12051263	Hengsel brakett over	Hinge door upper	Cast Iron min 5mm thickness
40	10050513	Sideglass venstre	Side glass Left	IR coated Ceramic glass with Paint area
41	10050629	Sideglass høyre	Side Glass Right	IR coated Ceramic glass with Paint area
42	10050051	Glass dør	Glass Door	Ceramic glass
43	10023556	Skrue senkh innv6k DIN7991 M6x16	Flat Head Countersunk Socket DIN7991 M6x16	Steel
44	10059751	Skive forsenket Ø6,5X26X3	Washer recessed Ø6,5X26X3	
45	10059780	Hvelv	Baffle	Vermiculite
46	10051080	Skrue syl. Lavt hode	Screw cyl low head	M6x12
47	12051504	Hengsel nedre	Hinge door bottom	Cast Iron min 5mm thickness
48	12051508	Hengsel dørlås under	Hinge doorlock bottom	Cast Iron min 5mm thickness
49	10026076	Demper Dørhåndtak	Dampens Door Handle	Silicone 2mm
50	10050647	Plate for ventil hendel	Plate for Valve handle	Stainless
51	10050867	Festeplate	Attachment Bracket	Stainless
52	10050636	Askeskuff	Ashpan	Aludip
53	10050316	Ventilplate	Valve plate	Steel
54	10038553	Hvelvlås	Baffle lock	Steel
55	10025980	Hengsel dør	Hinge door	Steel
56	10026601	Glassklips I 570 25X18	Glass Clip I 570 25X18	Steel
57	12021534	Glass klips m pakning på motsatt side	Glass clip w. gasket reverse side	Steel

59	10024253	Brikke for spjeld	Bracket For Damper	Steel
60	10023540	6kt skr m/fl M6x20 DIN6921 8.8	Hex FI Bolt DIN6921-M6x20-8.8	Steel
61	10023559	Skive Ø8,4XØ20X1,5	Washer Ø8,4XØ20X1,5	Steel 8,8 ELZN
62	10023544	6kt skr m/fl M6x10 DIN6921 8.8	Hex FI Bolt DIN6921-M6x10-8.8	Steel
64	10023561	Skrue sylh inn6k DIN7984 M6x8-8.8	Hex Socket Head Cap Screw DIN7984 M6x8-8.8	Steel
65	10023578	Skive M10 Ø10,5xØ25x1.5 Sortkr. Spesial	Washer M10 Ø10.5xØ25x1.5 Blackcr. Special	Steel
66	10023595	Skrue senkh innv6k DIN7991 M8x16-10.9	Flat Head Countersunk Socket DIN7991 M8x16-10.9	Steel
67	10023654	6kt skr M8x70 DIN933 8.8 Elzn	Hex Cap Screw DIN933-M8x70-8.8 Zinc Plated	Steel
68	10023661	6kt skr m/fl - DIN6921-M8x16-8.8	Hex FL Bolt DIN6921 M8x16-8.8	Steel
69	10023662	6kt skr m/fl M8x20 DIN6921 8.8	Hex FI Bolt DIN6921-M8x20-8.8	Steel
70	10026010	Skrue sylh lav delg M6X16X7	Screw inthex M6X16 part thread 7MM	Steel
71	10023664	6kt skr m/fl M8x30 DIN6921 8.8	Hex FI Bolt DIN6921-M8x30-8.8	Steel
72	10023666	6kt Mutter m/fl M6 DIN6923 8	Hex Flange Nut M8 DIN6923 8	Steel
73	10023667	6kt Mutter m/fl M8 DIN6923 8	Hex Flange Nut M8 DIN6923 8	Steel
74	10023707	Skrue senkh innv6k DIN7991 M6x10-10.9	Flat Head Countersunk Socket DIN7991 M6x10-10.9	Steel
75	10023725	Skr innv6k M6x25 delgj 6mm	Scr inth M6X25 part thread 6mm	Stainless
76	10023579	Skive Ø6xØ12x0.5	Washer Ø6xØ12x0.5	Steel
77	10023998	Hylse Ø10XØ6,2X15	Sleeve Ø10XØ6,2X15	Steel
78	10024104	Nagle Ø6x24 Sortkromatisert	Rivet	Steel
79	10023639	Skrue sett M6x20	Screw socketset M6x20	Steel
80	10023672	Skive Ø10,1XØ19,4X0,9 sortkromatisert	Washer Ø10,1XØ19,4X0,9	Steel
81	10026565	Fjær for ventiler F 470	Spring for valve F 470	Stainless
82	10055900	Skrue senkhode innv6k M6X35 A4 UBEH	Flat Head Countersunk Socket ISO 10642 M6x35 A4 UBEH	Stainless
83	10024339	Skive messing Ø12,0XØ6,2X1,8	Washer brass Ø12,0XØ6,2X1,8	Brass
84	10023780	Skive Ø6,4xØ18x1.6 Elzn DIN 9021	Washer Ø6.4xØ18x1.6 Elzn DIN 9021	Steel
85	51061547	Hylse Ø12/8,2X10	Sleeve Ø12/8,2X10	Steel
86	10059780	Isolasjon venstre brennplate bak	Insulation Left burnplate back	Vermiculite
87	10059780	Isolasjon Høyre brennplate bak	Insulation Right burnplate back	Vermiculite
88	10023475	Mutter 6k M6	Nut hex M6	Steel
89	10023469	Skrue 6k M8x20 DIN933	Screw hex M8x20 DIN933	Steel 8.8 Elzn
90	10023515	Mutter 6k M6 Lav	NUT hex M6 low	Steel 8.8 Elzn
93	10058479	Magnet for dør Ø25xØ6,4x9MM	Magnet for door Ø25xØ6,4x9MM	Sm2Co17
94		Pakning under Askeskuff	Rope gasket under ash pan	LD-250-2 graph Ø6,4x330mm

95	10063274	Låsemekanisme dør komplett	Locking mechanism door complete	Steel
	<b>Spring, Self Closing Door cat no. 51061547</b>			
97	51061547	Fjær Selvlukkende dørmekanisme	Spring self closing door mechasim	For all markets
	<b>F 360 Advance</b>			
98	10053663	Isolasjonsmatte side	Insulation Blanket Side	Superwool
99	12053877	Sidestykke venstre	Side Plate Left	Cast Iron min 5mm thickness
100	12053879	Brennplate side høyre	Burn Plate Right	Cast Iron min 5mm thickness
101	12053878	Sidestykke høyre	Side Plate Right	Cast Iron min 5mm thickness
102	12053880	Brennplate side venstre	Burn Plate Left	Cast Iron min 5mm thickness
	<b>F 371 Advance Base cat no. 51050937</b>			
103	12019098	Sokkel bunn BP	Base Bottom BP	Cast Iron min 5mm thickness
104	12019102	Sokkel hylle BP	Base Shelf BP	Cast Iron min 5mm thickness
105	12019110	Sokkel Bakplate BP	Base Rear Plate BP	Cast Iron min 5mm thickness
106	12051389	Sokkel side høyre BP	Base Right side BP	Cast Iron min 5mm thickness
107	12051391	Sokkel side venstre BP	Base Left side BP	Cast Iron min 5mm thickness
108	12050945	Sokkel dør BP	Base Door BP	Cast Iron min 5mm thickness
109	<b>51050944</b>	Støpejernsdør sokkel kompl BP	Castiron Base door complete BP	Cast Iron min 5mm thickness
110	10025801	Shims	Shim	Steel
111	10025624	Fjær E0360-034-3500M	Spring E0360-034-3500M	Steel
112	10050684	Skjermplate sokkel	Heat Shield for Base	Aluzinc DX510 AZ
113	12050868	Hengselbrakett	Hinge Bracket	Steel
114	10023475	Mutter sekskant M6 DIN 934	Nut Hexagonal M6 DIN 934	Stainless
115	10023483	6kt skr M8x40 DIN6921 8.8	Hex Bolt DIN6921-M8x40-8.8	Steel
116	10023541	6kt skr m/fl M6x16 DIN6921 8.8	Hex FI Bolt DIN6921-M6x16-8.8	Steel
117	10023545	6kt skr m/fl M6x12 DIN6921 8.8	Hex FI Bolt DIN6921-M6x12-8.8	Steel
118	10023561	Skrue sylh inn6k DIN7984 M6x8-8.8	Hex Socket Head Cap Screw DIN7984 M6x8-8.8	Steel
119	10023707	Skrue senkhode innv 6k M6X10 FOSFAT	Screw int hex M6X10 DIN7991	Steel
120	10023662	6kt skr m/fl M8x20 DIN6921 8.8	Hex FI Bolt DIN6921-M8x20-8.8	Steel
121	10023666	6kt Mutter m/fl M6 DIN6923 8	Hex Flange Nut M8 DIN6923 8	Steel
122	10023707	Skrue senkh innv6k DIN7991 M6x10-10.9	Flat Head Countersunk Socket DIN7991 M6x10-10.9	Steel
123	10024104	Nagle Ø6x24, sortkrom	Rivet Ø6x24, black cromate	Steel
124	10026268	Beskyttelseshette M8 6K sort	Protection Cap M8 Hex Black	Polypropylene
125	10026649	Brakett for fjær-selvlukkende dør	Bracket For Spring Self Closing Door	Steel
126	10024197	Hylse Ø12/8,2X10	Sleeve Ø12/8,2X10	Steel



127	10024339	Skive Ø6.2xØ12x1.8 Messing	Washer Ø6.2xØ12x1.8 Brass	Brass
<b>F 373 Advance Pedestal BP cat no. 51050940</b>				
140	12051392	Søylebunn BP	Pedestal Bottom Plate BP	Cast Iron min 5mm thickness
140	12052111	Søylebunn WHE	Pedestal Bottom Plate WHE	Cast Iron min 5mm thickness
141	12050925	Søyletopp	Pedestal Top Plate	Cast Iron min 5mm thickness
142	12051393	Søyleside BP	Pedestal Side Plate BP	Cast Iron min 5mm thickness
142	12052112	Søyleside WHE	Pedestal Side Plate WHE	Cast Iron min 5mm thickness
143	12051394	Søyle front BP	Pedestal Front Plate BP	Cast Iron min 5mm thickness
143	12052113	Søyle front WHE	Pedestal Front Plate WHE	Cast Iron min 5mm thickness
145	10050736	Deksel søyle BP	Cover Pedestal PB	Steel
145	10050622	Deksel søyle WP	Cover Pedestal WP	Steel
147	10023667	6kt Mutter m/fl M8 DIN6923 8	Hex Flange Nut M8 DIN6923 8	Steel
148	10023665	6kt skr m/fl M8x40 DIN6921 8.8	Hex Fl Bolt DIN6921-M8x40-8.8	Steel
149	10023465	6kt skr M8x16 DIN933 8.8 Elzn	Hex Cap Screw DIN933-M8x16-8.8 Zinc	Steel
150	10026268	Beskyttelseshette M8 6K sort	Protection Cap M8 Hex Black	Polypropylene
<b>F 370 Advance High Top BP cat no. 51050934</b>				
160	12019648	High Top Venstre side BP	High Top Left Side BP	Cast Iron min 5mm thickness
161	12019650	High Top Høyre side BP	High Top Right Side BP	Cast Iron min 5mm thickness
162	12019652	High Top Front BP	High Top Front Side BP	Cast Iron min 5mm thickness
163	10050688	Sektorventil komplett	Sector Plate Set	Steel
164	10013073	Festebrakett front	Steel Brakett front	Steel
165	10038200	Festebrakett Side	Steel Brakett Side	Steel
166	10013072	Festebrakett Bak	Steel Brakett Back	Steel
167	10023661	6kt skr m/fl - DIN6921-M8x16-8.8	Hex FL Bolt DIN6921 M8x16-8.8	Steel
168	10023660	6kt skr m/fl - DIN6921-M8x12-8.8	Hex FL Bolt DIN6921 M8x12-8.8	Steel
<b>F 370 Advance Revolving Pedestal cat no 51050989</b>				
170	51050989	Se manual med egen reservedelsliste og tegn	See separate manual with spare part list and drawing	Oppdatert dreistuss inkl kulelager
<b>F 377 Advance steel kit low cat no 50050924</b>				
180	10023665	Skrue sekskant med flens M8x40 DIN 6921	Screw Hex Cap Flange Frame m8x40	DIN 6921
181	10043553	Stålplate bakre kleber F 367 / F 377	Steelplate Rear Soapstone F 367 / F 377	Steel
182	10043555	Topprist kleber F 367 / F 377	Top Grid Soapstone F 367 / F 377	Steel
183	10043556	Stålbrakett 1 kleber F 377	Steel Bracket 1 Soapstone F 377	Steel

184	10043557	Stålbrakett kleber bunn F 377	Bracket Soapstone Bottom F 377	Steel
185	10050915	Stålbrakett 2 kleber F 377 Advance	Steel Bracket 2 Soapstone F 377 Advance	Steel
<b>F 377 Advance steel kit High top cat no 50050923</b>				
186	10044892	Spennstift Ø10X40 DIN	Span Pin Ø10X40	DIN 1481
187	10043554	Stålplate bakre komplett HT F 367/ F 377	Plate Rear Complete HT F 367 / F 377	Steel
<b>F 377 Advance Soap stone kit low cat no 50043452</b>				
190	10043549	Kleberside lav F 367/F 377	Soapstone Side Low F 367 / F 377	Soapstone
191	10043550	Kleberside midtre F 367/F 377	Soapstone Side Middle F 367 / F 377	Soapstone
193	10043552	Kleber Topp F 367/F 377	Soapstone Top F 367 / F 377	Soapstone
<b>F 377 Advance Soap stone kit High top cat no 50043453</b>				
194	10043551	Kleberside HT øvre F 367 / F 377	Soapstone Side HT Upper F 367 / F 377	Soapstone
<b>Floor Plate glass Norway/Sweden cat no 50012994</b>				
220	50012994	Gulvplate glass Norge/Sverige	Floor Plate glass Norway/Sweden	Tempered glass, 6mm thickness
<b>Floor Plate Steel Norway/Sweden BP cat no 51013579</b>				
222	51013579	Gulvplate stål Norge/Sverige BP	Floor Plate Steel Norway/Sweden BP	Steel 1mm thick
225	10026783	Varmelagrende Stein Ø309/Ø170/48mm	Heat accumulating stone Ø309/Ø170/48mm	Special
<b>Klebertopp komplett F 370 Adv cat no 22052834, 22052835, 22052836</b>				
226	12018891	Lufterist topp F 270/370/470 BP	Air outlet top F 270/370/470 BP	Cast Iron min 5mm thickness
226	12045759	Lufterist topp F 270/370/470 WHE	Air outlet top F 270/370/470 WHE	
227	22052834	Klebertopp komplett F370Adv BP	Soapstone complete F370Adv BP	Soapstone
227	22052835	Klebertopp komplett F370Adv WHE	Soapstone complete F370Adv WHE	
228	10023957	Klips	Clips	Steel
	50012839	Adapter Tysk Ø 149 utv BP	Adaptor Germany ø149 outs BP	Steel