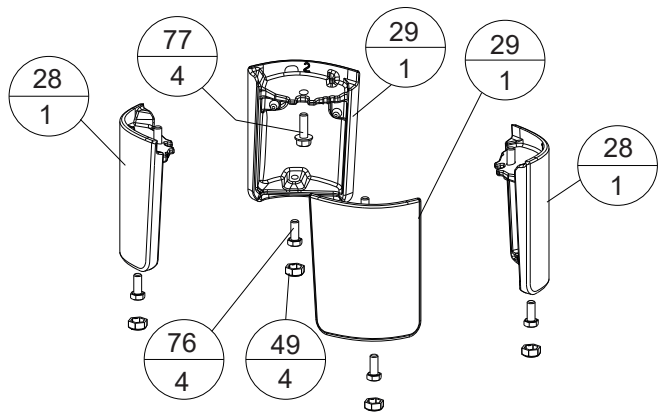
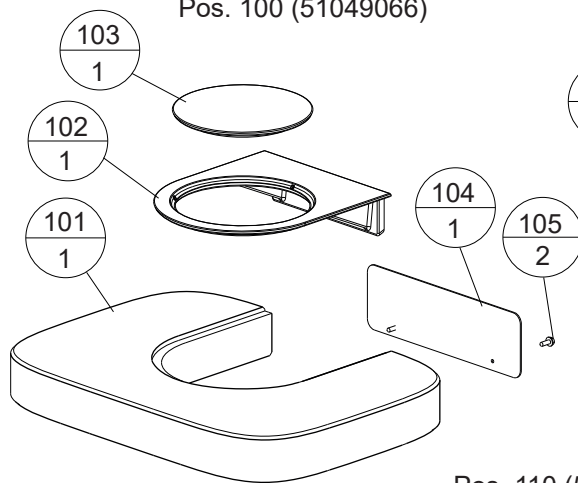


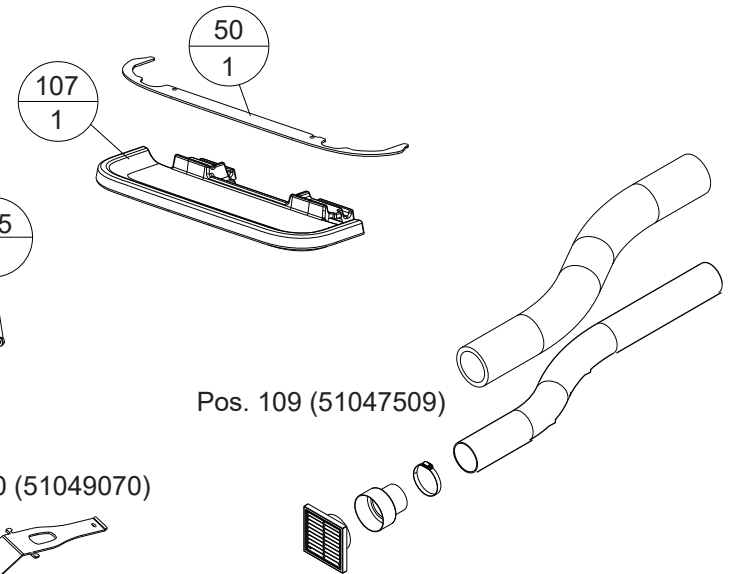
Pos. 106 (51049065)



Pos. 100 (51049066)



Pos. 110 (51049070)



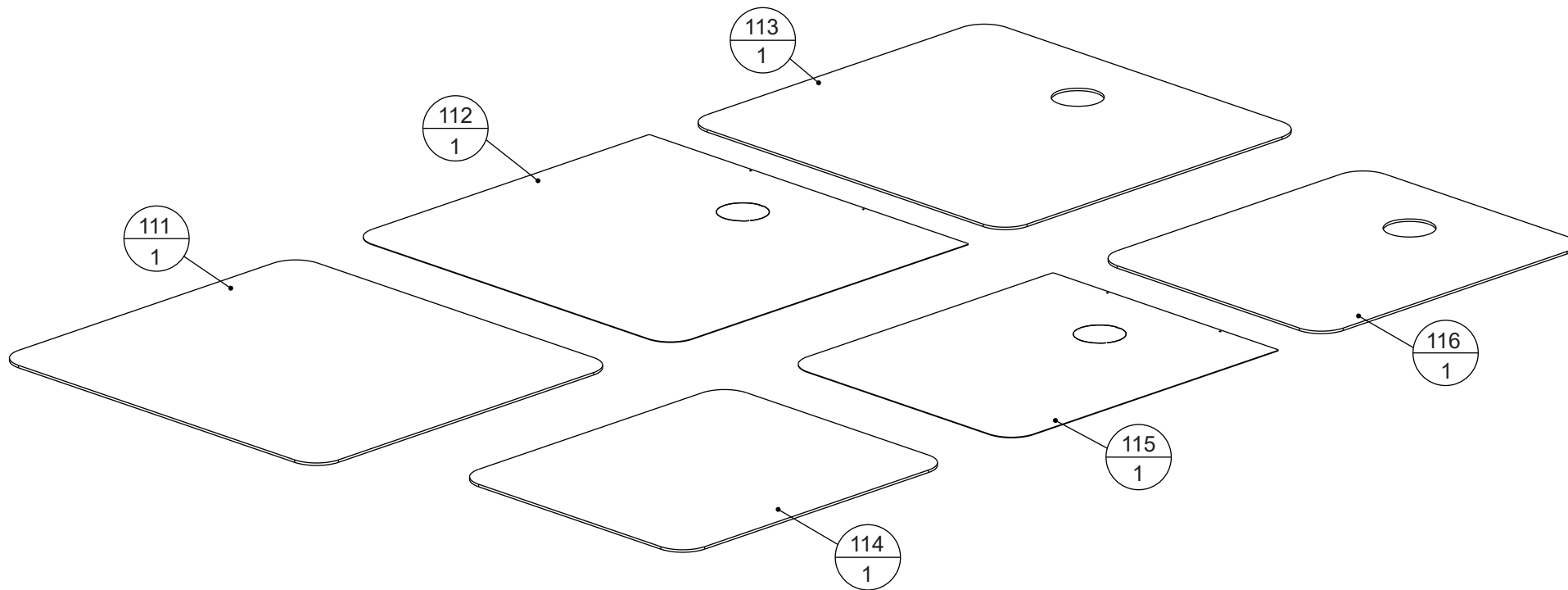
Pos. 109 (51047509)

Exploded view, Jøtul F 105

Jøtul AS,
Fredrikstad, Norway

Draw.no: Sheet 2/3
900182-P03

Date:
28.08.2017



Exploded view, Jøtul F 105		
Jøtul AS Fredrikstad, Norway	Draw.no: Sheet 2/3 90182-P03	Date: 28.08.2017

Jøtul F 105

Jøtul F 105 R LL, BP (Long Legs), cat. no. 30050007; Jøtul F 105 R B, BP (Base), cat. no. 30050005; Jøtul F 105 R SL, BP (Short Legs), cat. no. 30050003

Jøtul F 105 R LL, WHE (Long Legs), cat. no. 30050008; Jøtul F 105 R B, WHE (Base), cat. no. 30050006; Jøtul F 105 R SL, WHE (Short Legs), cat. no. 30050004

Jøtul F 105 LL, BP (Long Legs), cat. no. 30048969; Jøtul F 105 B, BP (Base), cat. no. 30046850; Jøtul F 105 SL, BP (Short Legs), cat. no. 30045743

Jøtul F 105 LL WHE (Long Legs), cat. no. 30048970; Jøtul F 105 B WHE (Base), cat. no. 30047345; Jøtul F 105 SL, WHE (Short Legs), cat. no. 30047346

BP= Sort lakk/Black Paint, UP= Ulakkert/Unpainted, BE= Black Enamel

Antall / Quantity	Pos. no.	Spareparts	Consist of pos.no:	Benevnelse	Description	Dim./Spec.
1	1	12049053		Bunn deksel BP	Cover Bottom Plate BP	Cast Iron min 4mm thickness
1	2	12048044	If the product is older than pin 443931, 23.03.2017, also order 10023576(pos. 34) and 10047057(pos.36).	Håndtak dør BP	Handle Door BP	Cast Iron min 4mm thickness
1	2	12048672	If the product is older than pin 443931, 23.03.2017, also order 10023576(pos. 34) and 10047057(pos.36).	Håndtak dør WHE	Handle Door WHE	Cast Iron min 4mm thickness
1	3	12049023		Frontplate, BP	Front Plate, BP	Cast Iron min 4mm thickness
1	4	12049021		Glassholder m/2 pakn., BP	Glass Holder Incl.2 Gaskets, BP	Cast Iron min 4mm thickness
1	5	12049032	5,91(2pcs),92	Dør med pakninger, BP	Door Incl. Gaskets, BP	Cast Iron min 4mm thickness
1	5	12049628	5,91(2pcs),92	Dør med pakninger, WHE	Door Incl. Gaskets, WHE	Cast Iron min 4mm thickness
1	6	12049014		Sideplate venstre, BP	Side Plate Left, BP	Cast Iron min 4mm thickness
1	6	12049526		Sideplate venstre, WHE	Side Plate Left, WHE	Cast Iron min 4mm thickness
1	7	12049025		Front bak venstre, BP	Front Rear Left, BP	Cast Iron min 4mm thickness
1	8	12049012		Røykstuss, UP	Smoke Outlet, UP	Cast Iron min 4mm thickness
1	9	12049010		Topplate, BP	Top Plate, BP	Cast Iron min 4mm thickness
1	9	12049525		Topplate, WHE	Top Plate, WHE	Cast Iron min 4mm thickness
1	10	12049011		Luftkanal topp, UP	Air Manifold Top, UP	Cast Iron min 4mm thickness
1	11	12049040		Røykhullsdeksel, BP	Cover For Smoke Outlet, BP	Cast Iron min 4mm thickness
1	11	12049532		Røykhullsdeksel, WHE	Cover For Smoke Outlet, WHE	Cast Iron min 4mm thickness
1	12	12049019		Bakplate, BP	Rear Plate, BP	Cast Iron min 4mm thickness
1	12	12049528		Bakplate, WHE	Rear Plate, WHE	Cast Iron min 4mm thickness
1	13	12049016		Sideplate høyre, BP	Side Plate Right, BP	Cast Iron min 4mm thickness
1	13	12049527		Sideplate høyre, WHE	Side Plate Right, WHE	Cast Iron min 4mm thickness
1	14	12049524		Mellomstykke uteluft Ø80, BP	Spacer Part Inlet Air Ø80, BP	Cast Iron min 4mm thickness
1	15	12049523		Lufttilkopling uteluft Ø80, BP	Air Connection Inlet Air Ø80, BP	Cast Iron min 4mm thickness
1	16	12049027		Front bak høyre, BP	Front Rear Right, BP	Cast Iron min 4mm thickness
1	17	12049058	85,86,87	Bunnplate med pakn., BP	Bottom Plate W/Gaskets, BP	Cast Iron min 4mm thickness
1	17	12049692	85,86,87	Bunnplate med pakn., WHE	Bottom Plate W/Gaskets, WHE	Cast Iron min 4mm thickness
1	18	12049530		Inner bunn, BP	Bottom Inner, BP	Cast Iron min 4mm thickness
1	19	12049028		Fyrrist, BP	Fire Grate, BP	Cast Iron min 4mm thickness
1	20	12049035		Brennplate bakre m/pakn., BP	Burn Plate Rear incl. Gasket, BP	Cast Iron min 4mm thickness
1	21	12049030		Ledeplate, UP	Air Deflector, UP	Cast Iron min 4mm thickness
1	22	12049017		Bakplate indre, UP	Rear Plate Inner, UP	Cast Iron min 4mm thickness
2	23	12049042		Ben v framme h Bak LL, BP	Leg L Front R Back LL, BP	Cast Iron min 4mm thickness
2	23	12049533		Ben v framme h Bak LL, WHE	Leg L Front R Back LL, WHE	Cast Iron min 4mm thickness
2	24	12049044		Ben h framme v Bak LL, BP	Ben H framme V Bak LL, BP	Cast Iron min 4mm thickness
2	24	12049534		Ben h framme v Bak LL, WHE	Ben H framme V Bak LL, WHE	Cast Iron min 4mm thickness
1	25	12049046		Sokkel frontplate, BP	Base Front Plate, BP	Cast Iron min 4mm thickness
1	25	12049535		Sokkel frontplate, WHE	Base Front Plate, WHE	Cast Iron min 4mm thickness
2	26	12049051		Sokkel h/v sideplate, BP	Base L/R Side Plate, BP	Cast Iron min 4mm thickness
2	26	12049537		Sokkel h/v sideplate, WHE	Base L/R Side Plate, WHE	Cast Iron min 4mm thickness
1	27	12049048		Sokkel bakplate, BP	Base Rear Plate, BP	Cast Iron min 4mm thickness,
1	27	12049536		Sokkel bakplate, WHE	Base Rear Plate, WHE	Cast Iron min 4mm thickness,
2	28	12048652		Ben v framme h Bak SL, BP	Leg L Front R Back SL, BP	Cast Iron min 4mm thickness
2	28	12048667		Ben v framme h Bak SL, WHE	Leg L Front R Back SL, WHE	Cast Iron min 4mm thickness
2	29	12048653		Ben h framme v Bak SL, BP	Leg R Front L Back SL, BP	Cast Iron min 4mm thickness
2	29	12048669		Ben h framme v Bak SL, WHE	Leg R Front L Back SL, WHE	Cast Iron min 4mm thickness
1	31	10045797		Hendel luft	Handle air	Steel

Jøtul F 105

Jøtul F 105 R LL, BP (Long Legs), cat. no. 30050007; Jøtul F 105 R B, BP (Base), cat. no. 30050005; Jøtul F 105 R SL, BP (Short Legs), cat. no. 30050003

Jøtul F 105 R LL, WHE (Long Legs), cat. no. 30050008; Jøtul F 105 R B, WHE (Base), cat. no. 30050006; Jøtul F 105 R SL, WHE (Short Legs), cat. no. 30050004

Jøtul F 105 LL, BP (Long Legs), cat. no. 30048969; Jøtul F 105 B, BP (Base), cat. no. 30046850; Jøtul F 105 SL, BP (Short Legs), cat. no. 30045743

Jøtul F 105 LL WHE (Long Legs), cat. no. 30048970; Jøtul F 105 B WHE (Base), cat. no. 30047345; Jøtul F 105 SL, WHE (Short Legs), cat. no. 30047346

BP= Sort lakk/Black Paint, UP= Ulakkert/Unpainted, BE= Black Enamel

Antall / Quantity	Pos. no.	Spareparts	Consist of pos.no:	Benevnelse	Description	Dim./Spec.
1	32	10047136		Luftventil	Air Valve	Steel
1	33	10047144		Ventilplate	Valveplate	Steel
1	34	10023576	If the product is older than pin 443931, 23.03.2017, Handle(pos. 2) and Hook (pos. 36) is needed.	Skrue Gjengestift med Hul ende M6x25	Screw Socket Set with Cup point M6x25	Steel
1	35	10024011		Fjær for klinke	Spring For Latch	Spring Steel
1	36	10047057	If the product is older than pin 443931, 23.03.2017, also order Handle (pos. 2) and Screw (pos.34).	Krok med aksel	Hook inclusive Bar	Steel
1	37	10047087		Glass Dør	Glas Door	Ceramic glass 4mm thick
1	38			Fjær dørhengsel Ø2mm	Spring Door Hinge Ø2mm	Spring Steel
1	39	10049232	38,40,41,42(2pcs),70	Hengsel komplett med fjær	Hinge Complete with Spring	Steel
	40			Hengsel brakett	Hinge Bracket	Steel
1	41			Aksel for hengsel	Axel For Hinge	Steel
2	42			Hengsel lås dør sintret	Hinge Lock Door Sintred	Sint, C50
1	43	21050740	3 parts + 81(2pcs)	Vermikulitt deler, hvelv og sidebrennplater	Vermiculite parts, Baffle And Side Burn Plates	Vermiculite 600Kg/m ³
1	44	10047074		Lås brakett	Lock Bracket	Steel
1	45	51049941		Konveksjonspl bak stål, BP	Convection Shield Rear, BP	Steel
1	45	51049942		Konveksjonspl bak stål, WHE	Convection Shield Rear, WHE	Steel
1	46	10045798		Askeskuff	Ash Pan	Steel
1	47	10037359		Hylse Ø10xØ8x15	Sleeve Ø10xØ8x15	Steel
1	48	10026565		Fjær for ventiler	Spring For Valves	Stainless Spring Steel
4	49	10026268		Beskyttelseshette M8 6K sort	Protection Cap M8 Hex Black	Polypropylene
1	50	10047250		Deksel ben/askeleppe	Cover Legs/Ashlip	Steel
4	51	10038419		Høydejusteringsskrue M8x30	Hight Adjustment Screw M8x30	Steel
5	61	10023666		Mutter sekskant med flens M6 DIN 6923	Nut Hexagon Cap Flange M6 DIN 6923	St8.8 / ANSI B18.2
8	62	10023541		Skrue sekskant med flens M6x16 DIN 6921	Screw Hex Cap Flange M6x16 DIN 6921	St8.8 / ANSI B18.2
1	63	10023517		Mutter sekskant lav M8 DIN 439B	Nut Hexagonal Low M8 DIN 439B	Steel
4	64	10023578		Skive M10 svart, spesial	Washer M10 Black, Special	Ø10,5xØ25x1,5 Steel
1	65	10023559		Skive M8 Ø8,4xØ20x1.5 DIN 522	Washer M8 Ø8.4xØ20x1.5 DIN 522	St8.8 / ANSI B18.2
1	66	10038500		Låsemutter M8 med flens	Lock Nut M8 Collar	Steel
1	67	10023574		6kt skr m/f M6x40 DIN 6921-8.8	Hex FI Bolt DIN 6921-M6x40- 8.8	Steel
29	68	10023661		Skrue sekskant med flens M8x16 DIN 6921	Screw Hex Cap Flange M8x16 DIN 6921	St8.8 / ANSI B18.2
1	69	10023550		Skrue seksk M8x50 Elzn DIN 933	Screw Hexagon M8x50 Elzn DIN 933	St8.8 / ANSI B18.2
2	70			Festeskiye Ø8x15,3	Attachment Washer Ø8x15,3	Spring Steel
2	71	10023590		Skrue Sylinderhode Innv sekskant M6x12 DIN 912	Screw Cylinder Head Int Hexagon M6x12 DIN 912	St8.8 / ANSI B18.2
4	72	10023544		Skrue sekskant med flens M6x10 DIN 6921	Screw Hex Cap Flange M6x10 DIN 6921	St8.8 / ANSI B18.2
5	73	10023662		Skrue sekskant med flens M8x20 DIN 6921	Screw Hex Cap Flange M8x20 DIN 6921	St8.8 / ANSI B18.2
3	74	10023780		Skive Ø6,4xØ18x1,6 Elzn DIN9021	Washer Ø6,4xØ18x1,6 Elzn DIN9021	Steel
4	75	10023556		Skrue senkhode innv sekskant M6x16 DIN 7991	Screw Countersunk Flat Head Int Hex M6x16 DIN 7991	St8.8 / ANSI B18.2
4	76	10023469		Skrue seksk M8x20 Elzn DIN 933	Screw Hexagon M8x20 Elzn DIN 933	St8.8 / ANSI B18.2
4	77	10023663		Skrue sekskant med flens M8x25 DIN 6921	Screw Hex Cap Flange M8x25 DIN 6921	St8.8 / ANSI B18.2
4	78	10023664		Skrue sekskant med flens M8x30 DIN 6921	Screw Hex Cap Flange M8x30 DIN 6921	St8.8 / ANSI B18.2
2	79	10023579		Skive Ø6xØ12xØ0.5 -8.8 Elzn	Washer Ø6xØ12xØ0.5 -8.8 Elzn	St8,8 ELZN
2	80	10023580		Skrue, sylh. innv6k lavh. M6x16 DIN 7984	Screw, Cylinderh. int. hex, lowh. M6x16 DIN 7984	St8.8 / ANSI B18.2
2	81	10023590		Skrue Sylinderhode Innv sekskant M6x20 DIN 912	Screw Cylinder Head Int Hexagon M6x20 DIN 912	St8.8 / ANSI B18.2
1	86	10049974		Pakning flat bunn F 105	Gasket flat bottom F 105	SW 266x205x2mm
	87		50027205 (5m)	Pakning mellom bunn og bakplate indre	Gasket Between Bottom And Rear Plate Inner	LD 250-2 graph Ø6,4x650mm
1	88	10049008		Isolasjonsmatte bak	Insulating Blanket Rear	Fibre

Jøtul F 105						
Jøtul F 105 R LL, BP (Long Legs), cat. no. 30050007; Jøtul F 105 R B, BP (Base), cat. no. 30050005; Jøtul F 105 R SL, BP (Short Legs), cat. no. 30050003						
Jøtul F 105 R LL, WHE (Long Legs), cat. no. 30050008; Jøtul F 105 R B, WHE (Base), cat. no. 30050006; Jøtul F 105 R SL, WHE (Short Legs), cat. no. 30050004						
Jøtul F 105 LL, BP (Long Legs), cat. no. 30048969; Jøtul F 105 B, BP (Base), cat. no. 30046850; Jøtul F 105 SL, BP (Short Legs), cat. no. 30045743						
Jøtul F 105 LL WHE (Long Legs), cat. no. 30048970; Jøtul F 105 B WHE (Base), cat. no. 30047345; Jøtul F 105 SL, WHE (Short Legs), cat. no. 30047346						
BP= Sort lakk/Black Paint, UP= Ulakkert/Unpainted, BE= Black Enamel						
Antall / Quantity	Pos. no.	Spareparts	Consist of pos.no:	Benevnelse	Description	Dim./Spec.
	89		50027205 (5m)	Pakning mellom brennplate bakre og bakplate indre	Gasket Between Burn Plate Rear And Rear Plate Inner	LD 250-2 graph Ø6,4x980mm
1	90		50027203 (5m)	Pakning mellom glassholder og front	Gasket Between Glass Holder And Front	LD 375-2 Ø9,5x1350mm
2	91		50027204 (5m)	Pakning under glass	Gasket Under Glass	V-125x40mm graph W/A
1	92		50027205 (5m)	Pakning til dørglass	Gasket For Door Glass	LD 250-2 graph Ø6,4x1180mm
2	93		50027205 (5m)	Pakning til røykstuss deksel	Gasket Smoke Outlet And Cover	LD 250-2 graph Ø6,4x500mm
1	94		50027212 (5m)	Pakning for røykrørstilkobling	Gasket For Flue Connection	WT-187x18,4 graph.W/A 660mm
1	95		50027203 (5m)	Pakning toppplate	Gasket Top Plate	LD 375-2 Ø9,5x1100mm
1	96		50027203 (5m)	Pakning mellom glass og dør	Gasket Between Glas And Door	LD 375-2 Ø9,5x1180mm
Soapstone Top, cat. no. 51049066 BP, 51049539 WHE						
1	100	51049066		Kleber topp kompl., BP	Soapstone Top Complete, BP	
1	100	51049539		Kleber topp kompl, WHE	Soapstone Top Complete, WHE	
1	101	10048733		Kleber topp	Soapstone Top	Soapstone
1	102	12049055		Toppdeksel kleber, BP	Cover Soapstone, BP	Cast Iron min 4mm thickness
1	102	12049762		Toppdeksel kleber, WHE	Cover Soapstone, WHE	Cast Iron min 4mm thickness
1	103	12049056		Deksel Ø125 til kleber, BP	Cover Ø125 For Soapstone, BP	Cast Iron min 4mm thickness
1	103	12049763		Deksel Ø125 til kleber, WHE	Cover Ø125 For Soapstone, WHE	Cast Iron min 4mm thickness
1	104	10049465		Skjermplate kleber, BP	Heatshield Soapstone, BP	Steel
1	104	10049466		Skjermplate kleber, WP	Heatshield Soapstone, WP	Steel
2	105	10023680		Plateskrue med flens 4,2x13 DIN 6928	Tapping Screw 4,2x13 DIN 6928	
Ash Lip, cat. no. 51049065 BP, 51049516 WHE						
1	106	51049065	107,51	Askeleppe LL/SL, BP	Ash Lip LL/SL, BP	
	106	51049516	107,51	Askeleppe LL/SL, WHE	Ash Lip LL/SL, WHE	
1	107	12049054		Askeleppe, BP	Ash Lip, BP	Cast Iron min 4mm thickness
1	107	12049538		Askeleppe, WHE	Ash Lip, WHE	Cast Iron min 4mm thickness
Adaptor Ø125-Ø130mm, cat. no. 51050233						
1	108			Overgangsstuss Ø125-Ø130 0,8 BP	Adaptor Ø125-Ø130 0,8 BP	Steel
Outside Air Connection Ø80mm, cat no. 51047509						
1	109	51047509		Utlufttilkobling Ø80mm	Outside Air Connection Ø80mm	
Handle for Ashpan, cat.no.51049070						
	110	51049070		Håndtak askeskuff	Handle for Ashpan	
Floor Plate Glass (Germany), cat. no. 50049163						
1	111	50049163		Gulvplate glass for Tyskland	Floor Plate Glass for Germany	W1022xD955mm, 6mm thick, tempered
Floor Plate Steel W/HOLE (Germany), cat. no. 51049134						
1	112	51049134		Gulvplate stål m/hull for Tyskland, BP	Floor Plate Steel W/Hole For Germany, BP	W1022xD955mm, 1,25mm thick, Black

Jøtul F 105						
Jøtul F 105 R LL, BP (Long Legs), cat. no. 30050007; Jøtul F 105 R B, BP (Base), cat. no. 30050005; Jøtul F 105 R SL, BP (Short Legs), cat. no. 30050003						
Jøtul F 105 R LL, WHE (Long Legs), cat. no. 30050008; Jøtul F 105 R B, WHE (Base), cat. no. 30050006; Jøtul F 105 R SL, WHE (Short Legs), cat. no. 30050004						
Jøtul F 105 LL, BP (Long Legs), cat. no. 30048969; Jøtul F 105 B, BP (Base), cat. no. 30046850; Jøtul F 105 SL, BP (Short Legs), cat. no. 30045743						
Jøtul F 105 LL WHE (Long Legs), cat. no. 30048970; Jøtul F 105 B WHE (Base), cat. no. 30047345; Jøtul F 105 SL, WHE (Short Legs), cat. no. 30047346						
BP= Sort lakk/Black Paint, UP= Ulakkert/Unpainted, BE= Black Enamel						
Antall / Quantity	Pos. no.	Spareparts	Consist of pos.no:	Benevnelse	Description	Dim./Spec.
Floor Plate Glass W/HOLE (Germany), cat. no. 50049132						
1	113	50049132		Gulvplate glass m/hull for Tyskland	Floor Plate Glass W/Hole for Germany	W1022xD955mm, 6mm thick, tempered
Floor Plate Glass (NO/SE/DK/FI), cat. no. 50049162						
1	114	50049162		Gulvplate glass for NO/SE/DK/FI	Floor Plate Glass for NO/SE/DK/FI	W722xD855mm, 6mm thick, tempered
Floor Plate Steel W/Hole (NO/SE/DK/FI), cat. no. 51049133						
1	115	51049133		Gulvplate stål m/hull for NO/SE/DK/FI	Floor Plate Steel W/Hole for NO/SE/DK/FI	W722xD855mm, 1,25mm thick, Black
Floor Plate Glass W/Hole (NO/SE/DK/FI), cat. no. 50049131						
1	116	50049131		Gulvplate glass m/hull for NO/SE/DK/FI	Floor Plate Glass W/Hole for NO/SE/DK/FI	W722xD855mm, 6mm thick, tempered

Draw.no. 900183-P10