

|                               |              |        |
|-------------------------------|--------------|--------|
| Del-liste / Part list I 80 RH |              |        |
| Harmony / Classic / Panorama  |              |        |
| Jøtul AS                      | Drawing no.: | Date   |
| Fredrikstad Norway            | 1-1626-P02   | Mai 03 |

# Jøtul I 80 RH Harmony \ I 80 RH Panorama \ I 80 RH Classic

I 80 Harmony RH BP cat.no. 341124/ I 80 Harmony RH BBE cat.no. 341122/ I 80 Classic RH BP cat no 341123/ I 80 Classic RH BBE cat no 341125/ I 80 Panorama RH BBE cat.no: 341121/ I 80 Panorama RH GP cat. no.: 341242

| Pos. no | Spareparts | Consist of pos.no.:                  | Benevnelse                           | Description                         | Dim./Spec.                    |
|---------|------------|--------------------------------------|--------------------------------------|-------------------------------------|-------------------------------|
| 1       | 128736     |                                      | Hengsel                              | Hinge                               |                               |
| 2       | 117858     |                                      | Skrue sekskant                       | Hexagon screw                       | M6x16 Sortkromatisert         |
| 3       | 117825     |                                      | Skrue syl hode                       | Allen screw                         | M6x70                         |
| 4       | 10243412   |                                      | Røykstuss                            | Flue outlet                         |                               |
| 5       | 151940     |                                      | Platemantel, komplett - RH           | Heat shield                         |                               |
| 6       | 126245     |                                      | Stengejern                           | Locking bar                         |                               |
| 7       | 117587     |                                      | Skive                                | Washer                              | 25x10x1.5                     |
| 8       | 126164     |                                      | Fjær for klinke                      | Spring                              |                               |
| 9       | 10256592   |                                      | Vrider for dør                       | Door latch                          |                               |
| 10      | 117733     |                                      | Spennstift                           | Pin                                 | Ø5x24                         |
| 11      | 151964     |                                      | Håndtak Harmony\Classic              | Handle Harmony\Classic              |                               |
| 13      | 10378092   |                                      | Ventilsleide-Classic                 | Air slide valve - Classic           |                               |
| 14      | 10378112   |                                      | Ventilplate - Classic                | Valve plate - Classic               |                               |
| 16      | 10242712   |                                      | Klemjern                             | Clamping iron                       |                               |
| 17      | 117812     |                                      | Skrue syl.h unbr.                    | Allen screw                         | M6x30                         |
| 18      | 120004     |                                      | Skive                                | Washer                              | Ø18x6.4x1.6 DIN 9021          |
| 19      | 117880     |                                      | Mutter krave                         | Nut collarhead                      | M6 DIN 6923                   |
| 20      | 154251     | 20,72,73,77,78,131                   | Dør ytre - venstre - Harmony , BP    | Door left - Harmony , BP            |                               |
| 20      | 154547     | 20,72,73,77,78,131                   | Dør ytre - venstre - Harmony , BBE   | Door left - Harmony , BBE           |                               |
| 21      | 154252     | 6,7,10,21,72,75,76,77,78,120,131,207 | Dør midtre - venstre - Harmony , BP  | Door center - left Harmony, BP      |                               |
| 21      | 154548     | 6,7,10,21,72,75,76,77,78,120,131,207 | Dør midtre - venstre - Harmony , BBE | Door center - left - Harmony , BBE  |                               |
| 22      | 10320316   |                                      | Underlagsbrikke                      | Base plate                          |                               |
| 23      | 10239612   |                                      | Sidestykke, venstre 80 RH            | Side panel - left - RH              |                               |
| 24      | 117854     |                                      | Skrue senkhode                       | Countersunk screw                   | M6x100 Sortkromatisert st 4.8 |
| 25      | 128632     |                                      | Skive for hengsel                    | Washer                              |                               |
| 26      | 154254     | 26,72,73,77,78,131                   | Dør ytre, høyre -Harmony BP          | Door right - Harmony BP             |                               |
| 26      | 154550     | 26,72,73,77,78,131                   | Dør ytre, høyre -Harmony , BBE       | Door right Harmony , BBE            |                               |
| 27      | 154253     | 6,7,10,27,75,76,77,78,80,120,131,207 | Dør midtre - høyre - Harmony BP      | Door center - right - Harmony BP    |                               |
| 27      | 154549     | 6,7,10,27,75,76,77,78,80,120,131,207 | Dør midtre - høyre - Harmony , BBE   | Door center - right - Harmony , BBE |                               |
| 28      | 117139     |                                      | Skrue krave                          | Screw collarhead                    | M6x35                         |
| 29      |            |                                      | Pakning f/røykstuss                  | Gasket for smoke outlet             | LD 375-2 Ø9.5x760             |
| 30      | 10238492   |                                      | Topplate                             | Top plate                           |                               |

# Jøtul I 80 RH Harmony \ I 80 RH Panorama \ I 80 RH Classic

I 80 Harmony RH BP cat.no. 341124/ I 80 Harmony RH BBE cat.no. 341122/ I 80 Classic RH BP cat no 341123/ I 80 Classic RH BBE cat no 341125/ I 80 Panorama RH BBE cat.no: 341121/ I 80 Panorama RH GP cat. no.: 341242

| Pos. no | Spareparts | Consist of pos.no.:                 | Benevnelse                           | Description                         | Dim./Spec.            |
|---------|------------|-------------------------------------|--------------------------------------|-------------------------------------|-----------------------|
| 31      | 10237812   |                                     | Bakstykke - - RH                     | Back panel - RH                     |                       |
| 32      | 10382592   |                                     | Front - Classic RH, BP               | Front - Classic RH, BP              |                       |
| 32      | 10382527   |                                     | Front - Classic RH, BBE              | Front - Classic RH, BBE             |                       |
| 33      | 128147     |                                     | Støttevinkel                         | Bracket                             |                       |
| 35      | 117877     |                                     | Skrue, krave                         | Screw collarhead                    | M8x30 DIN 6921        |
| 36      | 10251912   |                                     | Hvelv                                | Baffle plate                        |                       |
| 37      | 153363     | 74,117,121,122,124                  | Dør ytre høyre - Classic RH, BP      | Door right - Classic RH, BP         |                       |
| 37      | 154273     | 74,117,121,122,124                  | Dør ytre høyre - Classic RH, BBE     | Door right - Classic RH, BBE        |                       |
| 38      | 153362     | 6,7,9,10,74,75,116,122,124,207      | Dør midtre høyre - Classic RH, BP    | Door center right - Classic RH, BP  |                       |
| 38      | 154274     | 6,7,9,10,75,116,120,122,124,207     | Dør midtre høyre - Classic RH, BBE   | Door center right - Classic RH, BBE |                       |
| 39      | 10252212   |                                     | Brennplate - bak - - RH              | Burnplate - rear - RH               |                       |
| 40      | 117099     |                                     | Skrue krave                          | Screw collarhead                    | M6x25                 |
| 41      | 10239512   |                                     | Sidestykke - høyre - - RH            | Side panel - right - RH             |                       |
| 42      | 10382092   |                                     | Front - Harmony BP                   | Frame - Harmony BP                  |                       |
| 42      | 10382027   |                                     | Front - Harmony , BBE                | Frame - Harmony , BBE               |                       |
| 43      | 153360     | 74,114,121,122,124                  | Dør ytre venstre - Classic RH, BP    | Door left - Classic RH, BP          |                       |
| 43      | 154275     | 74,114,121,122,124                  | Dør ytre venstre - Classic RH, BBE   | Door left - Classic RH, BBE         |                       |
| 44      | 153361     | 7,9,10,75,115,120,122,123,124,207   | Dør midtre venstre - Classic RH, BP  | Door center left - Classic RH, BP   |                       |
| 44      | 154276     | 6,7,9,10,75,115,120,122,123,124,207 | Dør midtre venstre - Classic RH, BBE | Door center left - Classic RH, BBE  |                       |
| 45      | 153333     | 40,45,46,89                         | Ben                                  | Leg                                 |                       |
| 46      | 10185818   |                                     | Skjøtestykke for ben                 | Leg extender                        |                       |
| 47      | 116882     |                                     | Skrue sekskant                       | Hexagon screw                       | M10x45 DIN 558        |
| 48      | 126286     |                                     | Skjermpplate                         | Heat shield                         |                       |
| 49      |            |                                     | Pakning, for bunndeksel              | Gasket, for bottom cover            | LD 360 M/L Ø8,7x930   |
| 50      | 117004     |                                     | Mutter                               | Nut                                 | M8 DIN 934            |
| 51      | 10379392   |                                     | Luftbrem - Classic                   | Air deflector - Classic             |                       |
| 52      | 126308     |                                     | Glass Classic                        | Glass Classic                       |                       |
| 53      |            |                                     | Pakning for front                    | Gasket for front                    | LD 360 M/L Ø8.7x2150  |
| 54      |            |                                     | Pakning for luftbrem                 | Gasket for air deflector            | LD 187-1 M/L Ø4.8x850 |
| 55      | 10370292   |                                     | Ventilsleide - Harmony\Panorama      | Air slide valve - Harmony\Panorama  |                       |
| 56      | 10370192   |                                     | Ventilplate - Harmony\Panorama       | Valve plate - Harmony\Panorama      |                       |
| 57      | 10370092   |                                     | Luftbrem - Harmony\Panorama          | Air deflector - Harmony\Panorama    |                       |

# Jøtul I 80 RH Harmony \ I 80 RH Panorama \ I 80 RH Classic

I 80 Harmony RH BP cat.no. 341124/ I 80 Harmony RH BBE cat.no. 341122/ I 80 Classic RH BP cat no 341123/ I 80 Classic RH BBE cat no 341125/ I 80 Panorama RH BBE cat.no: 341121/ I 80 Panorama RH GP cat. no.: 341242

| Pos. no | Spareparts | Consist of pos.no.: | Benevnelse                      | Description                     | Dim./Spec.                   |
|---------|------------|---------------------|---------------------------------|---------------------------------|------------------------------|
| 58      | 117841     |                     | Skrue senkhode pozidrive        | Countersunk screw pozidrive     | M6x20 DIN 965                |
| 59      |            |                     | Pakning for ventilplate         | Gasket for valve plate          | LD 250-2 M/L Ø6.4x1300       |
| 60      | 117505     |                     | Skrue panhode                   | Screw panhead                   | M6x8 DIN 7985                |
| 61      | 10252612   |                     | Brennplate - Høyre - RH         | Burnplate -right - RH           |                              |
| 62      | 10252712   |                     | Brennplate - venstre - - RH     | Burnplate - left - RH           |                              |
| 63      | 10370392   |                     | Askelist                        | Ash/Log retainer                |                              |
| 64      | 154113     |                     | Askeleppe, BP                   | Ash lip, BP                     |                              |
| 64      | 154278     |                     | Askeleppe, BBE                  | Ash lip, BBE                    |                              |
| 64      | 156113     |                     | Askeleppe, GP                   | Ash lip, GP                     |                              |
| 65      | 154112     | 65,66               | Bunnlist, BP                    | Bottom frame, BP                |                              |
| 65      | 154279     | 65,66               | Bunnlist, BBE                   | Bottom frame, BBE               |                              |
| 65      | 156114     | 65,66               | Bunnlist, GP                    | Bottom frame, GP                |                              |
| 66      | 117833     |                     | Skrue linse                     | Screw                           | M6x12 Sortkromatiser DIN 966 |
| 67      | 10238292   |                     | Bunnplate                       | Base plate                      |                              |
| 68      | 154119     | 49,68               | Bunndeksel                      | Bottom cover                    |                              |
| 69      | 127107     |                     | Glassklips - Classic            | Glassclip - Classic             |                              |
| 70      | 10186112   |                     | Travers                         | Travers                         |                              |
| 71      |            |                     | Pakning - Harmony Maxi, for dør | Gasket - Harmony Maxi, for door | LD 250-2 M/L Ø6.4x1050       |
| 72      |            |                     | Pakning - Harmony Maxi, for dør | Gasket - Harmony Maxi, for door | LD 250-2 M/L Ø6.4x750        |
| 73      | 127075     |                     | Nagle                           | Pin                             | Ø6x33 Sortkromatisert        |
| 74      | 117505     |                     | Skrue panhode                   | Screw panhead                   | M6x8 DIN 7985                |
| 75      | 126322     |                     | Hengsel                         | Hinge                           |                              |
| 76      | 126321     |                     | Nagle                           | Pin                             | Ø6x24                        |
| 77      | 116892     |                     | Skrue senkhode pozidrive        | Countersunk screw pozidrive     | M6x10 DIN 965                |
| 78      | 128412     |                     | Glassklips, Harmony/Panorama    | Glassclip, Harmony/Panorama     |                              |
| 79      | 128411     |                     | Glass - Harmony                 | Glass -Harmony                  |                              |
| 80      |            |                     | Pakning - Harmony Maxi, for dør | Gasket - Harmony Maxi, for door | LD 250-2 Ø6.4x1180           |
| 81      | 340955     |                     | Spjeld komplett                 | Damper complete                 |                              |
| 82      | 128969     |                     | Kule                            | Ball                            |                              |
| 83      | 128996     |                     | Reguleringsstang                | Bar                             |                              |
| 84      |            |                     | Spjeld                          | Damper                          |                              |
| 85      | 340956     |                     | Monteringssett for kassett      | Upper and lower grid            |                              |

# Jøtul I 80 RH Harmony \ I 80 RH Panorama \ I 80 RH Classic

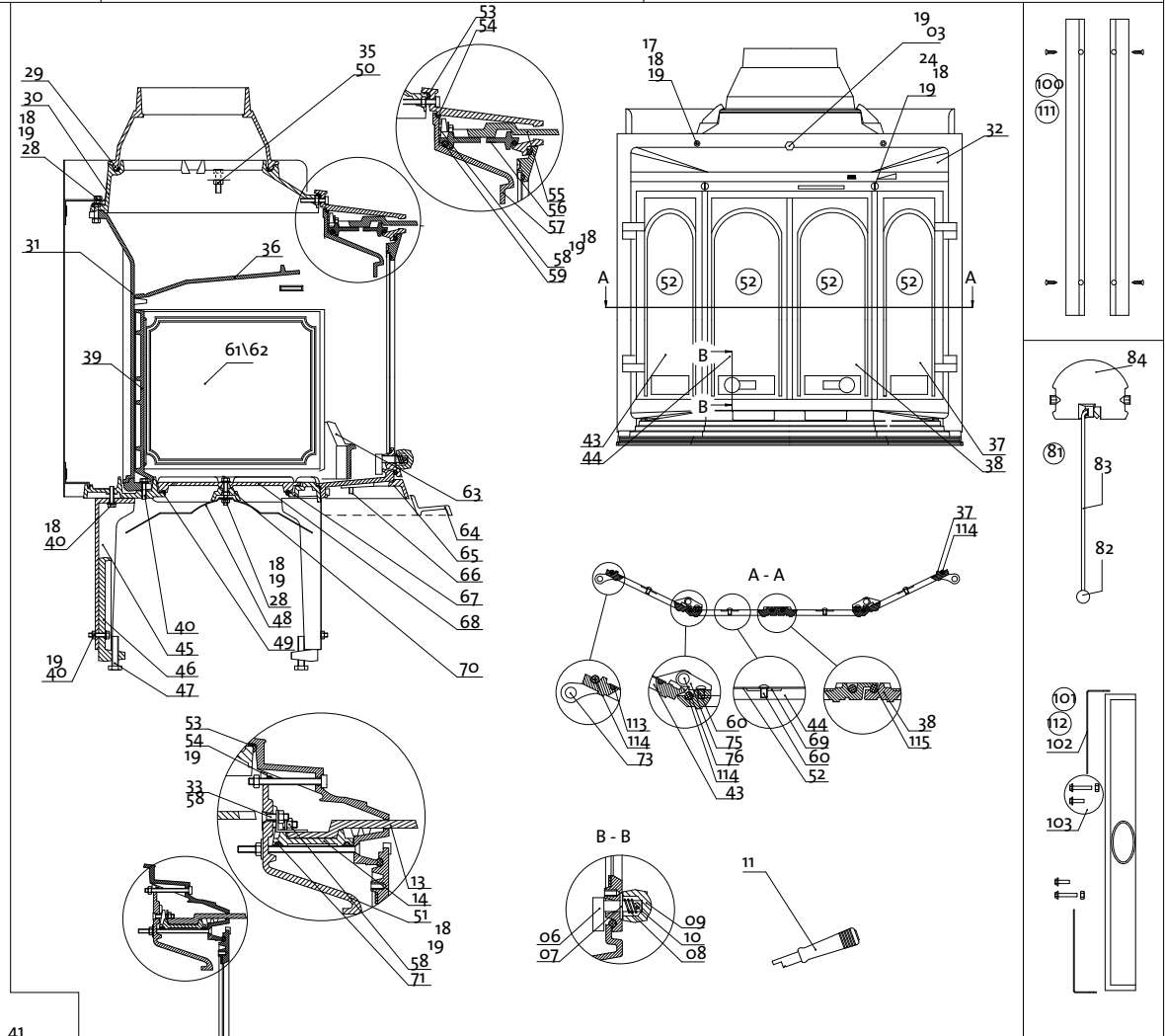
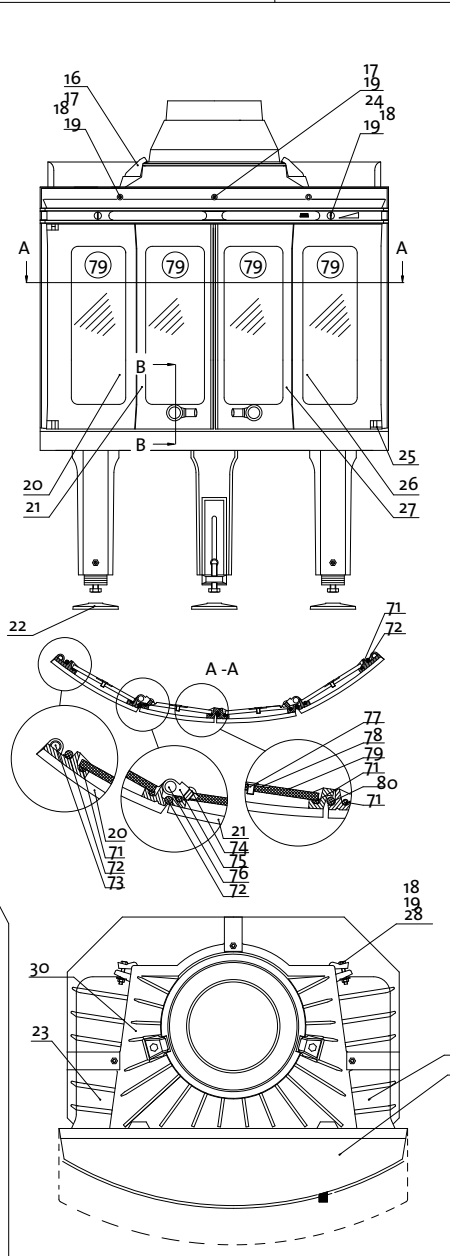
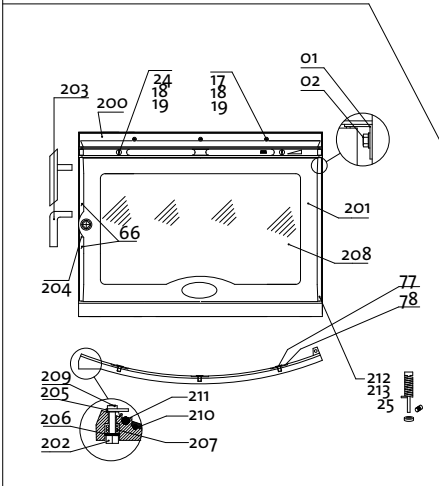
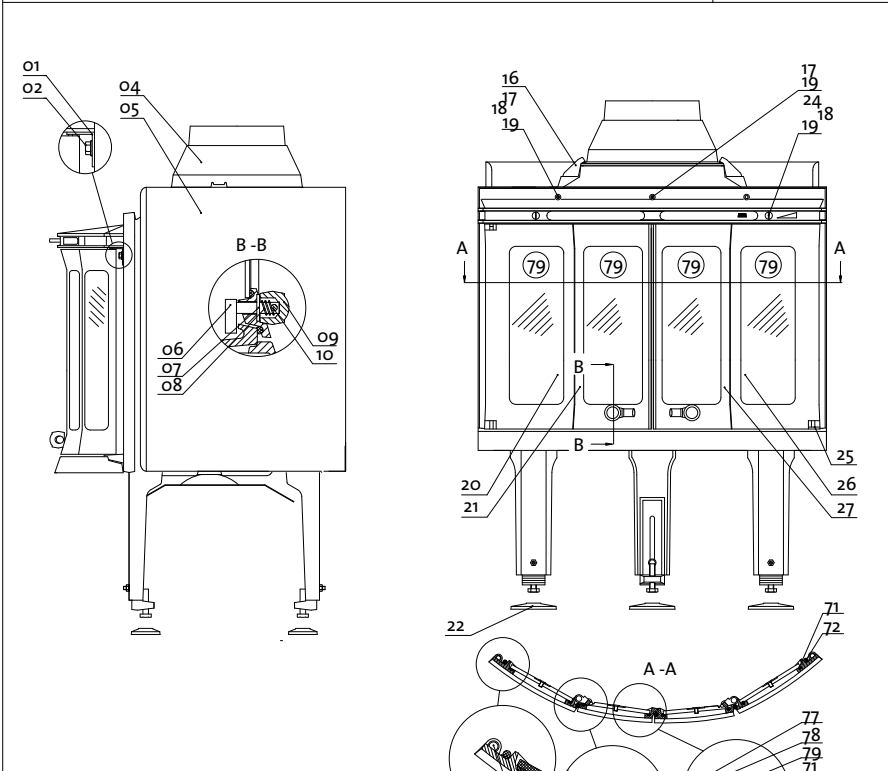
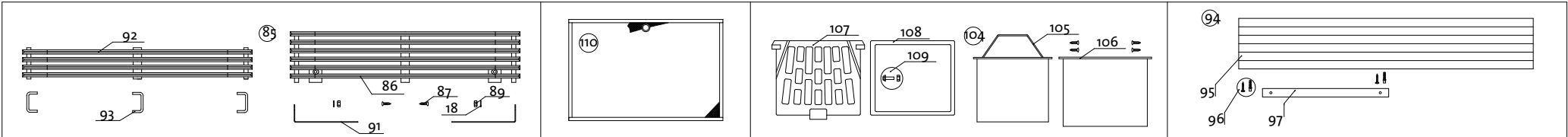
I 80 Harmony RH BP cat.no. 341124/ I 80 Harmony RH BBE cat.no. 341122/ I 80 Classic RH BP cat no 341123/ I 80 Classic RH BBE cat no 341125/ I 80 Panorama RH BBE cat.no: 341121/ I 80 Panorama RH GP cat. no.: 341242

| <i>Pos. no</i> | <i>Spareparts</i> | <i>Consist of pos.no.:</i> | <i>Benevnelse</i>                  | <i>Description</i>              | <i>Dim./Spec.</i>     |
|----------------|-------------------|----------------------------|------------------------------------|---------------------------------|-----------------------|
| 86             | 10287892          |                            | Toppgitter                         | Top grid                        |                       |
| 87             | 117248            |                            | Skrue senkhode                     | Screw                           | 4.8x19 DIN 7983       |
| 89             | 116832            |                            | Mutter                             | Nut                             | M6 DIN 934            |
| 91             | 128933            |                            | Festejern                          | Bracket                         |                       |
| 92             | 10370592          |                            | Bunngitter                         | Bottom grate                    |                       |
| 93             | 127262            |                            | Ben for kassett                    | Legs for cassette               |                       |
| 94             | 340817            |                            | Sidepanel bred, alu. - I 80        | Side panel wide, alu.           |                       |
| 95             |                   |                            | Sidepanel bred, alu. -I 80         | Side panel wide, alu.           |                       |
| 96             | 152659            |                            | Pose med innhold                   | Bag with contents               |                       |
| 97             | 127115            |                            | Festevinkel for sidepanel          | Bracket for sidepanel           |                       |
| 98             | 340818            |                            | Sidepanel smal, alu. - I 80        | Side panel narrow, alu.         |                       |
| 99             |                   |                            | Sidepanel smal, alu. - I 80        | Side panel narrow, alu.         |                       |
| 100            | 340734            |                            | Frontlister side smal, støpejern - | Side panel, cast iron           |                       |
| 101            | 340742            |                            | Frontlist topp smal, støpejern     | Top panel, cast iron            |                       |
| 102            | 126280            |                            | Festejern                          | Bracket                         |                       |
| 103            | 152008            | 52,89                      | Pose med innhold                   | Bag with contents               |                       |
| 104            | 340732            |                            | Innvendig asketømming              | Ash container complete          |                       |
| 105            | 151943            |                            | Askebeholder                       | Ash container                   |                       |
| 106            | 151944            |                            | Deksel for askebeholder            | Box for ash container           |                       |
| 107            | 10242092          |                            | Fyrrist                            | Fire grate                      |                       |
| 108            |                   |                            | Pakning, deksel for askebeholder   | Gasket, cover for ash container |                       |
| 109            | 151978            | 77,89                      | Pose med innhold                   | Bag with contents               |                       |
| 110            | 340758            |                            | Gnistfanger - Classic              | Fire screen - Classic           |                       |
| 110            | 340979            |                            | Gnistfanger - Harmony              | Fire screen - Harmony           |                       |
| 111            | 340733            |                            | Frontlister bred, støpejern        | Side panel wide, cast iron      |                       |
| 112            | 340741            |                            | Frontlister topp, støpejern        | Top panel wide, cast iron       |                       |
| 113            |                   |                            | Pakning Classic, for glass         | Gasket Classic, for glass       | LD 250-2 MVL Ø6,4x800 |
| 114            |                   |                            | Pakning Classic, for dør           | Gasket Classic, for door        | LD 360 Ø8,7x710       |
| 115            |                   |                            | Pakning Classic, for dør           | Gasket Classic, for dør         | LD 360 Ø8,7x1060      |
| 116            | 154839            |                            | Askeleppe Classic BP               | Ash lip Classic BP              |                       |
| 116            | 154840            |                            | Askeleppe Classic BBE              | Ash lip Classic , BBE           |                       |
| 200            | 10405427          |                            | Front - Panorama BBE               | Front - Panorama BBE            |                       |

# Jøtul I 80 RH Harmony \ I 80 RH Panorama \ I 80 RH Classic

I 80 Harmony RH BP cat.no. 341124/ I 80 Harmony RH BBE cat.no. 341122/ I 80 Classic RH BP cat no 341123/ I 80 Classic RH BBE cat no 341125/ I 80 Panorama RH BBE cat.no: 341121/ I 80 Panorama RH GP cat. no.: 341242

| <i>Pos. no</i> | <i>Spareparts</i> | <i>Consist of pos.no.:</i>               | <i>Benevnelse</i>          | <i>Description</i>              | <i>Dim./Spec.</i>  |
|----------------|-------------------|--|----------------------------|---------------------------------|--------------------|
| 200            | 10405495          |  | Front - Panorama GP        | Front - Panorama GP             |                    |
| 201            | 154618            | 73,77,78,201,202,205,206,207,209,210,211 | Dør - Panorama BBE         | Door - Panorama BBE             |                    |
| 201            | 156116            | 73,77,78,201,202,205,206,207,209,210,211 | Dør - Panorama GP          | Door - Panorama GP              |                    |
| 202            | 128536            |  | Låsskrue 4 kant før feb 03 | Latch bolt square before feb 03 |                    |
| 202            | 220279            |  | Låsskrue rund etter feb 03 | Latch bolt round after feb 03   |                    |
| 203            | 129583            |  | Håndtak "T" før feb 03     | Handle "T" before feb 03        |                    |
| 203            | 220470            |  | Håndtak etter feb 03       | Handle after feb 03             |                    |
| 204            | 10402392          |  | Låshus                     | Locking dog                     |                    |
| 205            | 128011            |  | Stengejern                 | Latch bolt                      |                    |
| 206            | 117892            |  | Skive                      | Washer                          |                    |
| 207            | 126164            |  | Fjær                       | Spring                          |                    |
| 208            | 128586            |  | Glass - Panorama           | Glass - Panorama                |                    |
| 209            | 117821            |  | Mutter flat                | Nut flat                        | M10 DIN 439B       |
| 210            |                   |  | Pakning for glass Panorama | Gasket for glass Panorama       | LD 250-2 Ø6,4x1900 |
| 211            |                   |  | Pakning for dør Panorama   | Gasket for door Panorama        | LD 375-2 Ø9,5x2100 |
| 212            | 129089            |  | Selvlukk mekanisme         | Self closing mechanism          |                    |
| 213            | 117893            |  | Settskrue                  | Set screw                       | M6x6 DIN 916       |
|                |                   |  |                            |                                 | <b>1-1626-Po6</b>  |



|    |   |                                |                            |                |
|----|---|--------------------------------|----------------------------|----------------|
| 98 | Del-liste / Part list I 80 RH<br>Harmony / Classic / Panorama | Jøtul AS<br>Fredrikstad Norway | Drawing no.:<br>1-1626-P02 | Date<br>Mai 03 |
| 99 |   |                                |                            |                |