

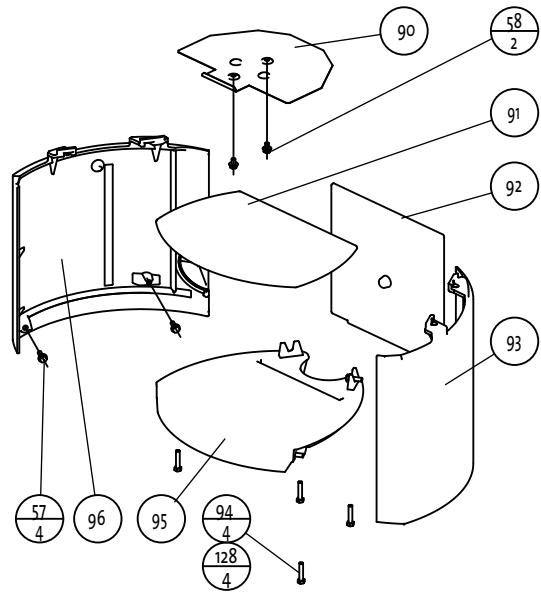
xx — Position number
 yy — Quantity

Del-liste / part list Jøtul F 370

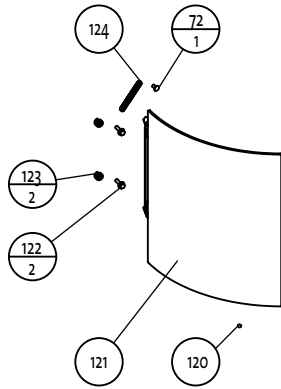
Jøtul AS
 Fredrikstad, Norway

Draw. no: 3-3391-Po8
 Sheet 1/3

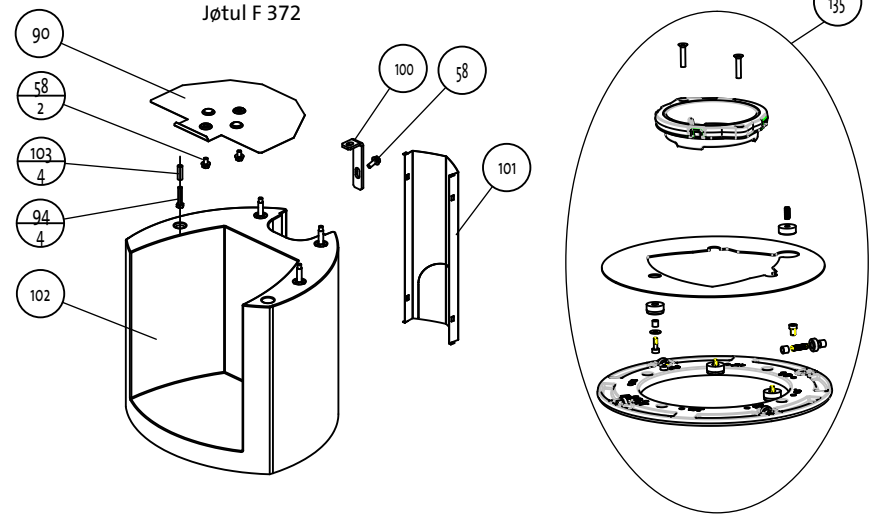
Date: July 08



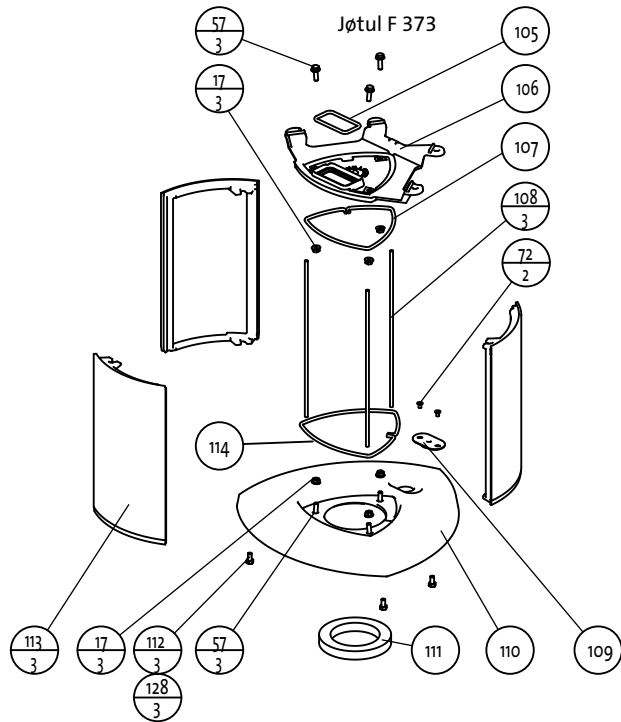
Jøtul F 371/F 375



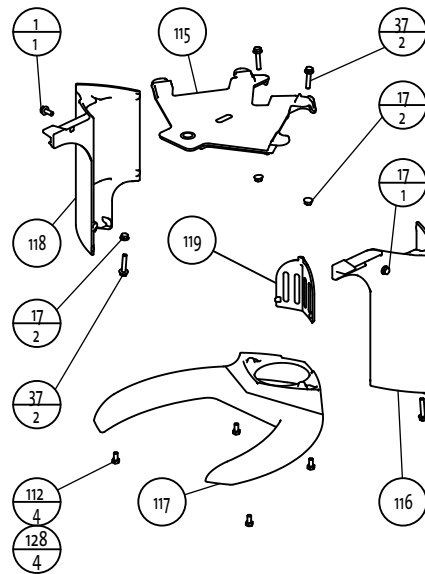
Jøtul F 372



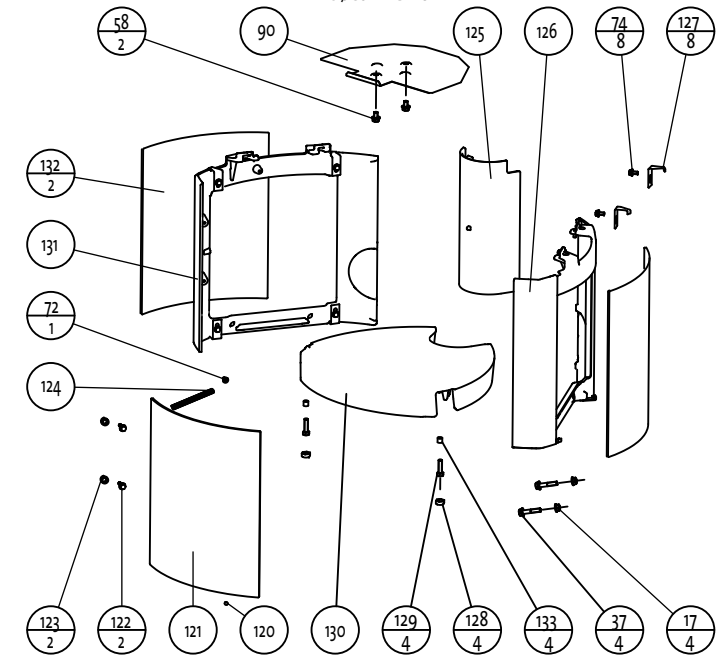
Jøtul F 373



Jøtul F 374



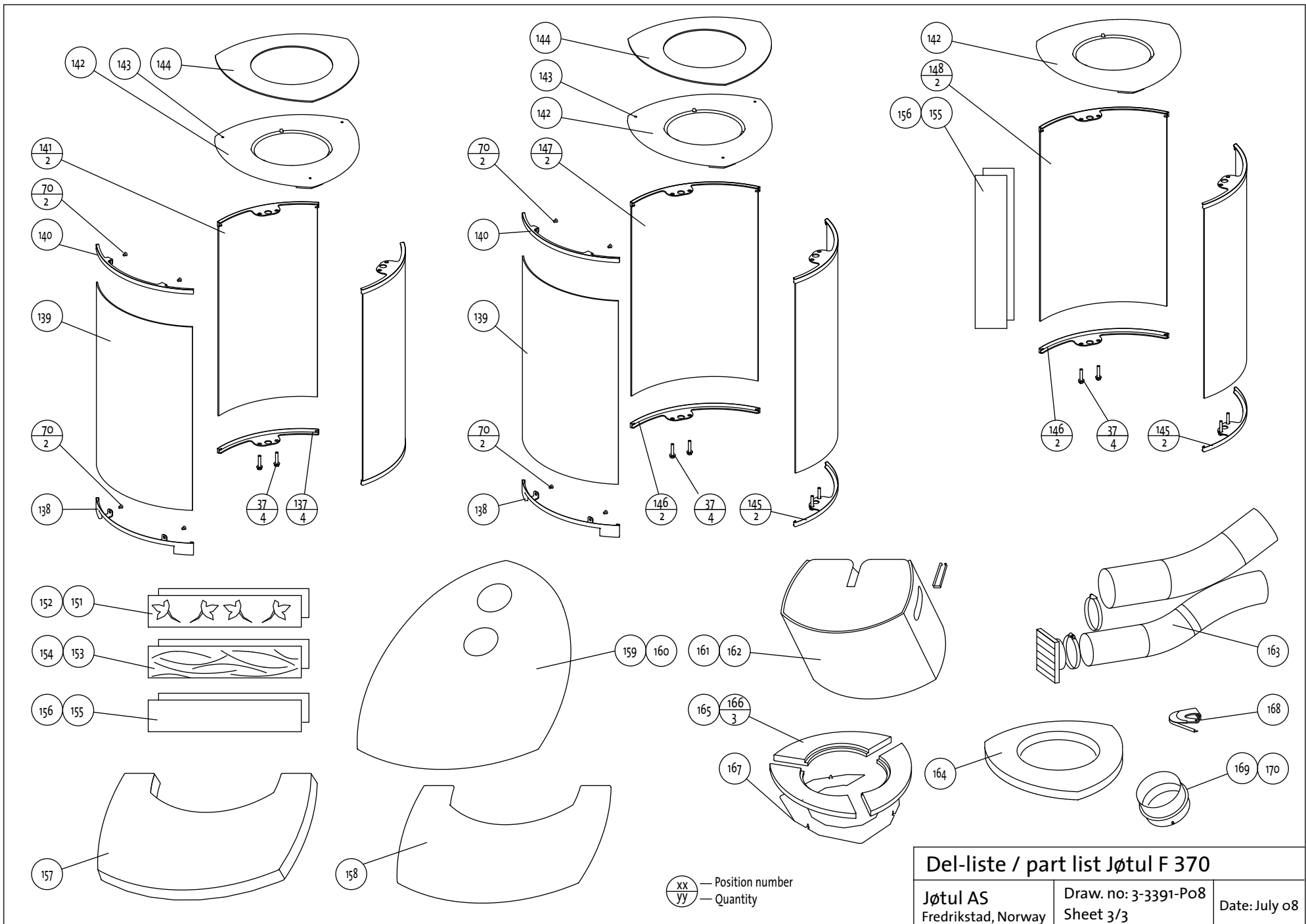
Jøtul F 376



xx — Position number
yy — Quantity

Del-liste / part list Jøtul F 370

Jøtul AS Fredrikstad, Norway	Draw. no: 3-3391-Po8 Sheet 2/3	Date: July 08
---------------------------------	-----------------------------------	---------------



xx — Position number
yy — Quantity

Del-liste / part list Jøtul F 370		
Jøtul AS Fredrikstad, Norway	Draw. no: 3-3391-Po8 Sheet 3/3	Date: July 08

Jøtul F 370

Jøtul F 370 Burnchamber cat no. 350972 BP/ cat no. 350973 GP, Burnchamber Germany cat no. 351188 BP/ cat no. 351189 GP

Jøtul F 370 Brennkammer kat.nr. 350972 BP/ kat.nr. 350973 GP, brennkammer tysk kat.nr. 351188 BP/ kat.nr. 351189 GP

BP= Sort lakk/Black Paint, GP= Grå lakk/Grey Paint UP= Ulakkert/Unpainted

Pos. no.	Spareparts	Consist of pos.no:	Benevnelse	Description	Dim./Spec.
1	117875		Skruer sekskant med flens M8x20 DIN 6921	Screw hex cap flange M8x20 DIN 6921	St8.8 / ANSI B18.2
2	117877		Skruer sekskant med flens M8x30 DIN 6921	Screw hex cap flange M8x30 DIN 6921	St8.8 / ANSI B18.2
3	10448312		Luftkanal bakre UP	Air Manifold Rear UP	Cast Iron min 4mm thickness
4	10446718		Bakplate UP	Rear Plate UP	Cast Iron min 4mm thickness
5			Glassholder høyre GP	Glass Holder Right GP	Cast Iron min 4mm thickness
5	156297	5,30(2pcs),62(2pcs),63(2pcs),64,67(2pcs),68(2pcs)	Glassholder høyre kompl. uten glass	Glass Holder Right Compl. Exclusive Glass	
6	10448512		Luftkanal høyre UP	Air Manifold Right UP	Cast Iron min 4mm thickness
7	10446592		Sideplate høyre BP	Side Plate Right BP	Cast Iron min 4mm thickness
7	10446595		Sideplate høyre GP	Side Plate Right GP	Cast Iron min 4mm thickness
8			Pakning til bunnplate	Gasket for bottom Plate	LD 250-2 Ø6,4x930mm
9			Pakning som askeskuff hviler på	Gasket for Ash Pan to rest on	LD 250-2 Ø6,4x785mm
10	10446818		Bunnplate UP	Bottom Plate UP	Cast Iron min 4mm thickness
11	117880		Mutter sekskant med flens M6 ubeh. DIN 6923	Nut hex cap flange M6 untr. DIN 6923	St8.8 / ANSI B18.2
12	10447318		Dørlås nedre UP	Lock Lower Door UP	Cast Iron min 4mm thickness
13	126109		Hylse	Sleeve	Ø10xØ6,2x15mm, Steel
14	117789		Skruer Sylinderhode Innv. Sekskant M6x35	Screw Cylinder head Internal Hexagon M6x35	St8.8 / ANSI B18.2 DIN 912
15	221672		Tetteplate for skakestang	Sealing Plate Riddeling Bar	Aluminized steel, 1mm thickness
16	221671		Skakestang	Riddeling Bar	Steel
17	117881		Mutter sekskant med flens M8 ubeh. DIN 6923	Nut hex cap flange M8 untr. DIN 6923	St8.8 / ANSI B18.2
18	221670		Ventil opptenning kompl	Valve Ignition Air Compl	Steel, Satin Nickel surface
19	221683		Pakning opptenningsluft	Gasket Ignition Air	3mm thickness, Glass Paper
20	221682		Pakning primærluft	Gasket Primary Air	3mm thickness, Glass Paper
21	221669		Ventil primærluft kompl	Valve Primary Air Compl	Steel, Satin Nickel surface
22	10448618		Luftkanal bunn UP	Air Manifold Bottom UP	Cast Iron min 4mm thickness
23	221668		Ventil uteluft	Valve Outside Air	Aluminized steel
24	10447218		Hengsel nedre UP	Hinge Lower Door UP	Cast Iron min 4mm thickness
25	127075		Nagle Ø6x33mm svartkromatisert	Hinge Pin Ø6x33mm Black-Chromated	Steel
26	10446692		Frontplate BP	Front Plate BP	Cast Iron min 4mm thickness
26	10446695		Frontplate GP	Front Plate GP	Cast Iron min 4mm thickness
27	156299	30,66,68,69,70,71,73,74,75,76,77,78,69,80	Dør kompl u/ glass BP	Door Compl Exclusive Glass BP	
27	156300	30,66,68,69,70,71,73,74,75,76,77,78,69,80	Dør kompl u/ glass GP	Door Complete Exclusive Glass GP	
28	156301		Askeskuff komplett BP	Ash Pan Complete BP	
28	156302		Askeskuff komplett GP	Ash Pan Complete GP	
29	116913		Skruer Senkhode Innvendig Sekskant M8x40	Screw Countersunk Internal Hexagon M8x40	St8.8 / ANSI B18.2 Black DIN 7991
30			Pakning under glass	Gasket under Glass	V-125x40mm graph W/A
31			Pakning for sideglass ytre mot frontplate	Gasket for Side Glass Outer towards Front Plate	LD 250-2 Ø6,4x200mm
32			Pakning for sideglass ytre mot sideplate	Gasket for Side Glass Outer towards Side Plate	LD 250-2 Ø6,4x1380mm
33	10446492		Sideplate venstre BP	Side Plate Left BP	Cast Iron min 4mm thickness
33	10446495		Sideplate venstre GP	Side Plate Left GP	Cast Iron min 4mm thickness
34	222157		Glass side ytre H/V 529x125x4mm	Glass Side Outer Right/Left 529x125x4mm	Ceramic glass with decorative shades
35	156298	30(2pcs),65,62(2pcs),63(2pcs),64,67(2pcs),68(2pcs)	Glassholder venstre kompl. uten glass	Glass Holder Left Compl. Exclusive Glass	
36	10448412		Luftkanal venstre UP	Air Manifold Left UP	Cast Iron min 4mm thickness
37	117879		Skruer sekskant med flens M8x40 DIN 6921	Screw hex cap flange M8x40 DIN 6921	St8.8 / ANSI B18.2
38			Pakning for røykhullsdeksel/stuss	Gasket for Smoke Outl.and Smoke Outl. Cover	LD 250-2 Ø6,4x600mm
39	10441692		Lufterist topp BP	Air Outlet Top BP	Cast Iron min 4mm thickness
39	10441695		Lufterist topp GP	Air Outlet Top GP	Cast Iron min 4mm thickness
40	10441792		Skål topp BP	Smoke Outlet Bowl BP	Cast Iron min 4mm thickness
40	10441795		Skål topp GP	Smoke Outlet Bowl GP	Cast Iron min 4mm thickness
41	10447092		Topp-plate øvre BP	Top Plate Upper BP	Cast Iron min 4mm thickness
41	10447095		Topp-plate øvre GP	Top Plate Upper GP	Cast Iron min 4mm thickness
42	156240	38,42	Røkstuss Ø150 dripless UP	Smoke outl Ø150 dripless UP	Cast Iron min 4mm thickness
43	10446918		Topp-plate nedre UP	Top Plate Lower UP	Cast Iron min 4mm thickness
44	117859		Festeskive Ø6xØ15mm Svart	Attachment washer Ø6xØ15mm Black	Steel
45	10449818		Hengsel/dørlås øvre UP	Hinge/Lock Upper Door UP	Cast Iron min 4mm thickness
46	10441112		Deksel røykhull UP	Smoke Outl Cover UP	Cast Iron min 4mm thickness
47	221880		Stang f/Ledeplate	Bar f/Exhaust deflector	Ø10x300mm, stainless steel
48	10447612		Ledeplate UP	Exhaust Deflector UP	Cast Iron min 4mm thickness
49	221804		Brennplate bakre	Bumplate Rear	Vermiculite
50	10448212		Luftkanal fremre UP	Air Manifold Front UP	Cast Iron min 4mm thickness

Jøtul F 370

Jøtul F 370 Burnchamber cat no. 350972 BP/ cat no. 350973 GP, Burnchamber Germany cat no. 351188 BP/ cat no. 351189 GP

Jøtul F 370 Brennkammer kat.nr. 350972 BP/ kat.nr. 350973 GP, brennkammer tysk kat.nr. 351188 BP/ kat.nr. 351189 GP

BP= Sort lakk/Black Paint, GP= Grå lakk/Grey Paint UP= Ulakkert/Unpainted

Pos. no.	Spareparts	Consist of pos.no:	Benevnelse	Description	Dim./Spec.
51	221805		Brennplate side høyre/venstre	Burnplate Side Right/Left	Vermiculite
52	221877		Hvelv	Baffle	Vermiculite
53	128632		Skive Ø6,2x12x1.8 Messing	Washer Ø6,2x12x1.8 Brass	Brass
54	10447512		Brennpl side nedre høyre/venstre UP	Burnplate Side Lower Right/Left UP	Cast Iron min 4mm thickness
55	10447412		Skakerist UP	Riddeling Grate UP	Cast Iron min 4mm thickness
56	10447112		Bunnplate indre UP	Bottom plate Inner UP	Cast Iron min 4mm thickness
57	117876		Skrue sekskant med flens M8x25 DIN 6921	Screw hex cap flange M8x25 DIN 6921	St8.8 / ANSI B18.2
58	117873		Skrue sekskant med flens M8x12 DIN 6921	Screw hex cap flange M8x12 DIN 6921	St8.8 / ANSI B18.2
59	117452		Skive Ø8,4xØ20x1.5	Washer Ø8,4xØ20x1.5	St8.8 / ANSI B18.2
60	117739		Skrue senkhode Innvendig Sekskant M8x16	Screw Countersunk Cap Internal Hex. M8x16	St8.8 / ANSI B18.2 Black DIN 7991
61	221867		Glass side indre H/V 365x130x4mm	Glass Side Inner L/R 365x130x4mm	Ceramic glass
62			Pakning ved festeskruer til glassholder	Gasket near attachment screws for Glass Holder	LD 250-2 Ø6,4x40mm
63			Pakning mot indre/ytre sideglass	Gasket towards Inner/Outer Side Glasses	LD 250-2 Ø6,4x1000mm
64	221874		Pakning til glassholder mot sideplate	Gasket for Glass Holder towards Side Plate	T1000 W/A Ø7,5x700mm
65			Glassholder venstre GP	Glass Holder Left GP	Cast Iron min 4mm thickness
66	117588		Skive Ø6xØ12x0,5mm	Washer Ø6xØ12x0,5mm	St8.8 / ANSI B18.2
67	153620		Glassklips sideglass indre	Glass Clip for Side Glass Inner	Gasket included
68	117726		Skrue Sylinderh. Innvendig Sekskant M6x12	Screw Cylinder head Internal Hex. M6x12	St8.8 / ANSI B18.2 Black DIN 912
69	128412		Glassklips til dørglass	Glass Clip for Door Glass	Stainless Steel
70	118136		Skrue senkhode Innvendig Sekskant M6x10	Screw Countersunk Cap Internal Hex. M6x10	St8.8 / ANSI B18.2 DIN 7991
71	221662		Hengsel Dør	Hinge Door	Steel
72	117833		Skrue maskin linsesenkh. pozidrive M6x12	Screw Machine Oval Pozidrive M6x12	St8.8 / ANSI B18.2 Black DIN 966
73	221689		Handtak dør	Handle Door	Steel, Satin Nickel surface
74	117130		Skrue sekskant med flens M6x12 DIN 6921	Screw hex cap flange M6x12 DIN 6921	St8.8 / ANSI B18.2
75	110904		Skive Ø6,4xØ12,5x1,6mm	Washer Ø6,4xØ12,5x1,6mm	St8.8 / ANSI B18.2
76	221659		Låsemekanisme dør kompl	Locking Mech.Door compl	Steel
77			Pakning til dør mot frontplate	Gasket for Door towards Front Plate	LD 375-2 Ø9,5x2100mm
78			Dør BP	Door BP	Cast Iron min 4mm thickness
78			Dør GP	Door GP	Cast Iron min 4mm thickness
79	221648		Glass Dør	Glass Door	Ceramic glass
80			Pakning til dørglass	Gasket for Door Glass	LD 250-2 Ø6,4x2000mm
81			Pakning for røykrør	Gasket for Flue Pipe	WT-187x18,4 W/A L660
82	221897		Demper for dørhandtak	Damper for Door Handle	Silicone
			Jøtul F 371 Cast Iron Base cat no. 351176 BP/ cat no. 351177 GP		
90	221859		Skjermplate bunn	Heatshield Bottom	Aluzink DX 51D+AZ Thickness 0,7mm
91	10449592		Sokkel hylle BP	Base Shelf BP	Cast Iron min 4mm thickness
91	10449595		Sokkel hylle GP	Base Shelf GP	Cast Iron min 4mm thickness
92	10449792		Sokkel bakplate BP	Base Rear Plate BP	Cast Iron min 4mm thickness
92	10449795		Sokkel bakplate GP	Base Rear Plate GP	Cast Iron min 4mm thickness
93	10449392		Sokkel høyre BP	Base Right BP	Cast Iron min 4mm thickness
93	10449395		Sokkel høyre GP	Base Right GP	Cast Iron min 4mm thickness
94	116875		Skrue Sekskanthode M8x40	Screw Hexagon Cap M8x40	St8.8 / ANSI B18.2 DIN933
95	10449492		Sokkel bunn BP	Base Bottom BP	Cast Iron min 4mm thickness
95	10449495		Sokkel bunn GP	Base Bottom GP	Cast Iron min 4mm thickness
96	10449292		Sokkel venstre BP	Base Left BP	Cast Iron min 4mm thickness
96	10449295		Sokkel venstre GP	Base Left GP	Cast Iron min 4mm thickness
			Jøtul F 372 Concrete Base cat no. 300457		
100	221698		Festevinkel betongsokkel	Connection Angle Concrete Base	Steel
101	221680		Bakdeksel betongsokkel svart	Cover Concrete Base, Black	Steel
102			Sokkel i betong	Concrete Base	Concrete
103	221447		Hylse Ø10x8,2x31mm	Sleeve Ø10x8,2x31mm	Steel
			Jøtul F 373 Pedestal cat no. 350974 BP/ cat no. 350975 GP		
105			Pakning for søyle mot brennkammerbunn	Gasket (Pedestal towards Burnchamber bottom)	LD 250-2 Ø6,4x300mm
106	10448712		Søyle topp UP	Pedestal Top UP	Cast Iron min 4mm thickness
107			Pakning søyle topp mot søyle sider	Gasket for Pedestal Top towards Sides	LD 250-2 Ø6,4x660mm
108			Pakning for søyle sider	Gasket for Pedestal Sides	LD 250-2 Ø6,4x410mm

			Jøtul F 370		
Jøtul F 370 Burnchamber cat no. 350972 BP/ cat no. 350973 GP, Burnchamber Germany cat no. 351188 BP/ cat no. 351189 GP					
Jøtul F 370 Brennkammer kat.nr. 350972 BP/ kat.nr. 350973 GP, brennkammer tysk kat.nr. 351188 BP/ kat.nr. 351189 GP					
BP= Sort lakk/Black Paint, GP= Grå lakk/Grey Paint UP= Ulakkert/Unpainted					
Pos. no.	Spareparts	Consist of pos.no:	Benevnelse	Description	Dim./Spec.
109	10453692		Søyle bremselokk BP	Brake Cover BP	Cast Iron min 4mm thickness
109	10453695		Søyle bremselokk GP	Brake Cover GP	Cast Iron min 4mm thickness
110	10449192		Søyle bunn BP	Pedestal Bottom BP	Cast Iron min 4mm thickness
110	10449195		Søyle bunn GP	Pedestal Bottom GP	Cast Iron min 4mm thickness
111	221809		Søyle pakning bunn	Pedestal Gasket Bottom	PVC/Nitrile with skin
112	116650		Skrue Sekskanthode M8x16	Screw Hexagon Cap M8x16	St8.8 / ANSI B18.2 DIN933
113	10448892		Søyle side BP	Pedestal Side BP	Cast Iron min 4mm thickness
113	10448895		Søyle side GP	Pedestal Side GP	Cast Iron min 4mm thickness
114			Pakning søyle bunn mot søyle sider	Gasket for Pedestal Bottom towards Sides	LD 250-2 Ø6,4x700mm
Jøtul F 374 Cast Iron Leg cat no. 351162 BP/ cat no. 351163 GP					
115	10448012		Fot Topp-plate UP	Leg Top Plate UP	Cast Iron min 4mm thickness
116	10458392		Fot sideplate høyre BP	Leg Side Plate Right BP	Cast Iron min 4mm thickness
116	10458395		Fot sideplate høyre GP	Leg Side Plate Right GP	Cast Iron min 4mm thickness
117	10448192		Fot bunnplate BP	Leg Bottom Plate BP	Cast Iron min 4mm thickness
117	10448195		Fot bunnplate GP	Leg Bottom Plate GP	Cast Iron min 4mm thickness
118	10458292		Fot sideplate venstre BP	Leg Side Plate Left BP	Cast Iron min 4mm thickness
118	10458295		Fot sideplate venstre GP	Leg Side Plate Left GP	Cast Iron min 4mm thickness
119	10458492		Fot deksel BP	Leg Cover Plate Left BP	Cast Iron min 4mm thickness
119	10458495		Fot deksel GP	Leg Cover Plate Left GP	Cast Iron min 4mm thickness
Jøtul F 375 Glass Door for Cast Iron Base cat no. 351164					
120			Dørdemper	Resilient button	Plastic Ø7x1,5mm
121			Glassdør med hengsel	Glass Door With Hinge	
122	117117		Skrue sekskant med flens M6x20 DIN 6921	Screw hex cap flange M6x20 DIN 6921	St8.8 / ANSI B18.2
123	126164		Fjær	Spring	Spring Steel Ø15xL13xT2
124			Fjær EWES 0360-041-4500S	Fjær EWES 0360-041-4500S	Stainless Steel Ø9xL114xT1
Jøtul F 376 Glass Base cat no. 351210 BP/ cat no. 351211 GP					
125	10474092		Glass sokkel bakplate BP	Glass base rear plate BP	Cast Iron min 4mm thickness
125	10474095		Glass sokkel bakplate GP	Glass base rear plate GP	Cast Iron min 4mm thickness
126	10473992		Glass sokkel side høyre BP	Glass base side right BP	Cast Iron min 4mm thickness
126	10473995		Glass sokkel side høyre GP	Glass base side right GP	Cast Iron min 4mm thickness
127	156918	127(8pcs), 74(8pcs)	Glass klips 8 stk	Glass clip 8 pcs	Steel, black
128	222664		Beskyttelsehette M8 sekskant svart	Protection cap M8 Hexagon black	Polypropylene
129	116654		Skrue Sekskanthode M8x30	Screw Hexagon Cap M8x30	St8.8 / ANSI B18.2, EIZn, DIN 933
130	10473792		Glass sokkel bunnplate BP	Glass base bottom platet BP	Cast Iron min 4mm thickness
130	10473795		Glass sokkel bunnplate GP	Glass base bottom platet GP	Cast Iron min 4mm thickness
131	10473892		Glass sokkel side venstre BP	Glass base side left BP	Cast Iron min 4mm thickness
131	10473895		Glass sokkel side venstre GP	Glass base side left GP	Cast Iron min 4mm thickness
132	222847		Glass side høyre/venstre	Glass side left/right	Ceramic glass
133	220105		Hylse	Sleeve	Ø10,1xØ8x9,5mm, Steel
Jøtul F 270/370 Revolving Pedestal cat no. 350997					
135	350997		Se egen reservedelsliste og tegning	See seperate Spare Part List and Drawing	
Glass Decor For Rear Smoke Outlet cat no. 350993 BP/ cat no. 350994 GP					
137	221693		Brakett f/sidegl bakuttak BP	Bracket Rear Outlet BP	Black, Steel
137	222138		Brakett f/sidegl bakuttak GP	Bracket Rear Outlet GP	Grey, Steel
138	221663		Brakett nedre dør gl.dekor BP	Bracket lower Door BP	Black, Steel
138	222136		Brakett nedre dør gl.dekor GP	Bracket lower Door GP	Grey, Steel
139	221643		Dørglass glassdekor	Door Glass Decor Glass	Ceramic glass
140	221664		Brakett øvre dør gl.dekor BP	Bracket Upper Door BP	Black, Steel
140	222137		Brakett øvre dør gl.dekor GP	Bracket Upper Door GP	Grey, Steel
141	221650		Sidegl f/ bakut glassdekor	Side Glass Rear Outl Decor Glass	Ceramic glass
142	10449692		Topp-plate for glassdekor BP	Top Plate For Decor Glass BP	Cast Iron min 4mm thickness
142	10449695		Topp-plate for glassdekor GP	Top Plate For Decor Glass GP	Cast Iron min 4mm thickness
143	221879		Friksjonsknapp f/Glassdekor 8stk	Friction button f/Glass Decor 8pcs	Silicone
144	221653		Toppglass Glassdekor	Top Glass Decor Glass	Ceramic glass

Jøtul F 370

Pos. no.	Spareparts	Consist of pos.no:	Benevnelse	Description	Dim./Spec.
		Jøtul F 370 Burnchamber cat no. 350972 BP/ cat no. 350973 GP, Burnchamber Germany cat no. 351188 BP/ cat no. 351189 GP			
		Jøtul F 370 Brennkammer kat.nr. 350972 BP/ kat.nr. 350973 GP, brennkammer tysk kat.nr. 351188 BP/ kat.nr. 351189 GP			
		BP= Sort lakk/Black Paint, GP= Grå lakk/Grey Paint UP= Ulakkert/Unpainted			
		Glass Decor For Top Smoke Outlet cat no. 350995 BP/ cat no. 350996 GP			
145	221686		Brakett høyre nede/venstre oppe topputtak BP	Bracket Right Lower/Left Upper Top Outl BP	Black,Steel
145	222140		Brakett høyre nede/venstre oppe topputtak GP	Bracket Right Lower/Left Upper Top Outl GP	Grey, Steel
146	221685		Brakett venstre nede/høyre oppe topputtak BP	Bracket Left Lower/Right Upper Top Outl BP	Black,Steel
146	222139		Brakett venstre nede/høyre oppe topputtak GP	Bracket Left Lower/Right Upper Top Outl GP	Grey, Steel
147	221684		Sideglass f/ topputtak glassdekor	Side Glass for Top Outl Decor Glass	Ceramic glass
		Convection Kit cat no. 351172 BP/ cat no. 351173 GP			
148	222312		Skjermplate side BP	Heatshield Side BP	Steel
148	222313		Skjermplate side GP	Heatshield Side GP	Steel
		Decor Plate Fairy cat no. 350986 BP/ cat no. 350987 GP			
151	350986		Dekorplate Eventyr (2stk per pakke) BP	Decor Plate Fairy (2pcs in each parcel) BP	Steel
152	350987		Dekorplate Eventyr (2stk per pakke) GP	Decor Plate Fairy (2pcs in each parcel) GP	Steel
		Decor Plate Reed cat no. 350988 BP/ cat no. 350989 GP			
153	350988		Dekorplate Siv (2stk per pakke) BP	Decor Plate Reed (2pcs in each parcel) BP	Steel
154	350989		Dekorplate Siv (2stk per pakke) GP	Decor Plate Reed (2pcs in each parcel) GP	Steel
		Decor Plate Plain cat no. 350990 BP/ cat no. 350991 GP			
155	350990		Dekorplate Tett (2stk per pakke) BP	Decor Plate Plain (2pcs in each parcel) BP	Steel
156	350991		Dekorplate Plain (2stk per pakke) GP	Decor Plate Plain (2pcs in each parcel) GP	Steel
		Floor Plate Concrete Norway/Sweden F 372/ cat no. 310229			
157	310229		Gulvplate betong Norge/Sverige F 372	Floor Plate Concrete Norway/Sweden F 372	Concrete
		Floor Plate Glass Norway/Sweden cat no. 351121			
158	351121		Gulvplate glass Norge/Sverige (ikke for F 374)	Floor Plate glass Norway/Sweden (not for F 374)	Temperd glass, 6mm thickness
		Floor Plate Steel Norway/Sweden cat no. 351158 BP/ cat. No 351159 GP			
159	351158		Gulvplate stål Norge/Sverige BP	Floor Plate Steel Norway/Sweden BP	Steel 1mm thick
160	351159		Gulvplate stål Norge/Sverige BP	Floor Plate Steel Norway/Sweden BP	Steel 1mm thick
		Log Container Jøtul F 374 cat no. 351160 BP/ cat. No 351161 GP			
161	351160		Vedbeholder F 374 BP	Log Container F 374 BP	Steel
162	351161		Vedbeholder F 374 GP	Log Container F 374 GP	Steel
		Outside Air Connection Ø100mm cat no. 341296			
163	341296		Utelufttilkobling Ø100mm	Outside Air Connection Ø100mm	
		Soapstone Top cat no.350992/ 361011			
164	350992		Kleber topp 25mm hel	Soapstone Top 25mm 1pcs	Soapstone
165	361011	165(3pcs), 166(1pcs)	Kleber topp 25mm tredelt	Soapstone Top 25mm 3pcs	Soapstone
166	223080		Kleber topp 25mm segment	Soapstone Top 25mm segment	Soapstone
167			Tynnplate kleber topp tredelt	Sheet steel plate for Soapstone Top	steel
		Spring, Self Closing Door cat no. 350998			
168	350998		Selvlukkemekanisme komplett dør F370	Self Closing Mechanism Compl. Door F370	(for Germany)
		Adaptor ø149 outside			
169	220690		Adapter Tysk Ø 149 utv BP	Adaptor Germany ø149 outs BP	Steel
170	220462		Adapter Tysk Ø 149 utv GP	Adaptor Germany ø149 outs GP	Steel

Draw.no 4-4637-P08