

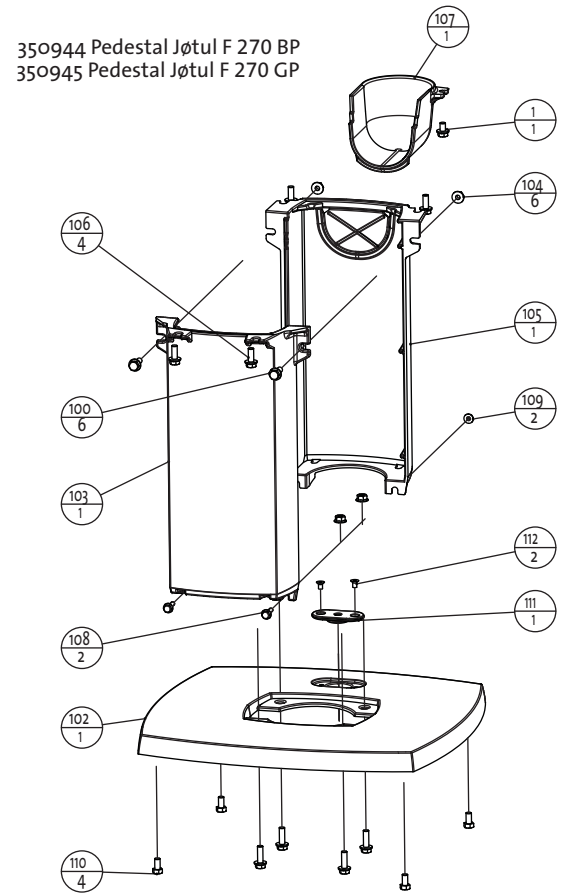
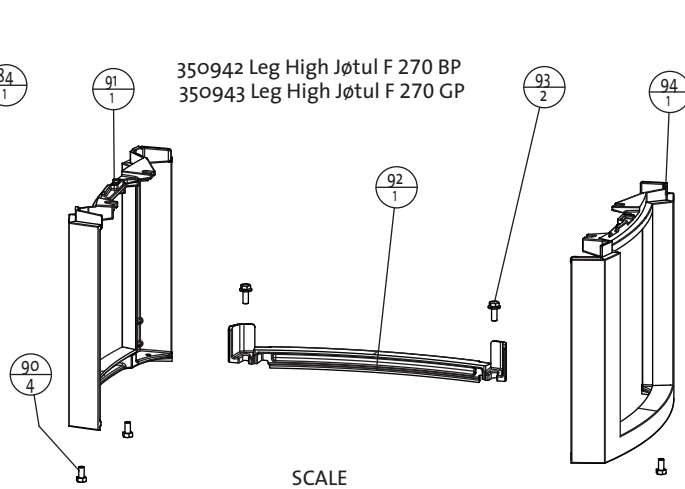
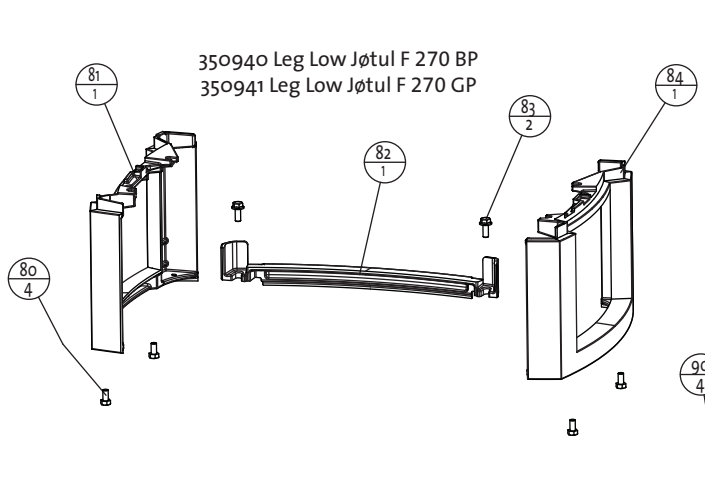
Delliste/ part list Jøtul F 270

Sheet 1 of 3

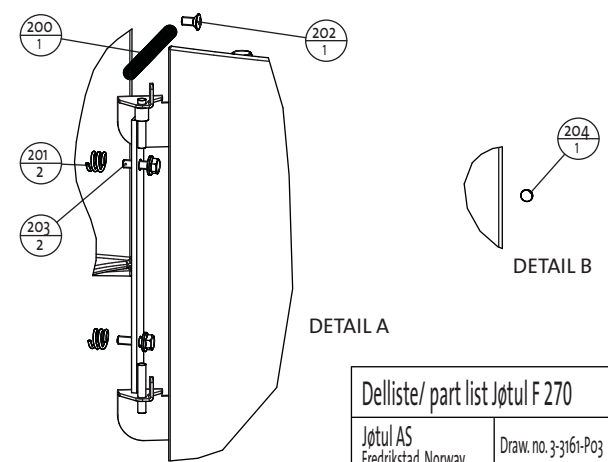
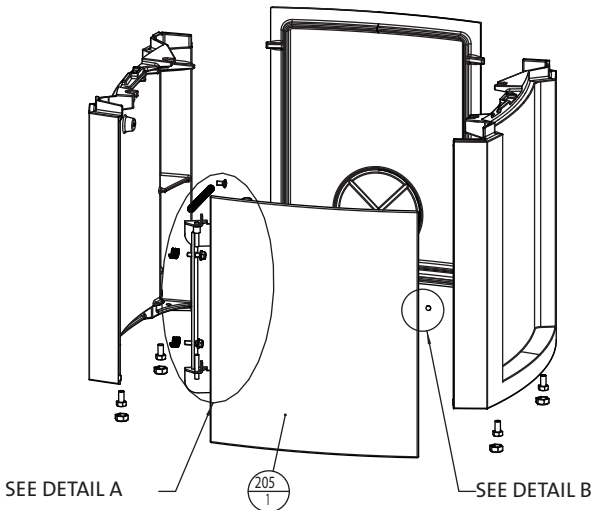
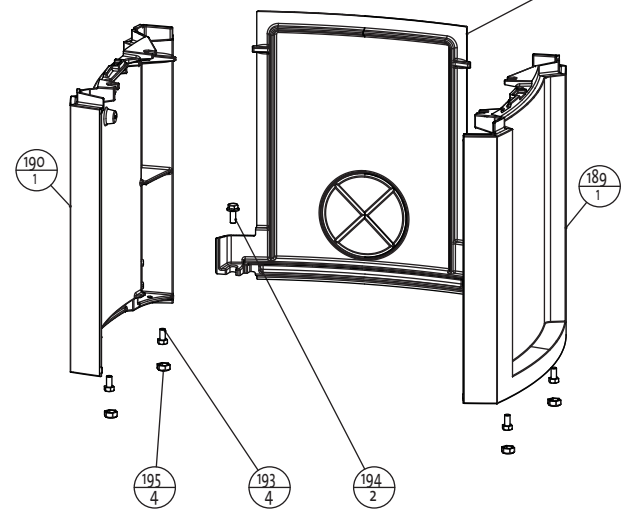
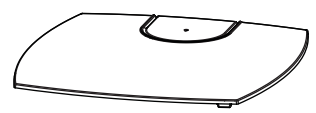
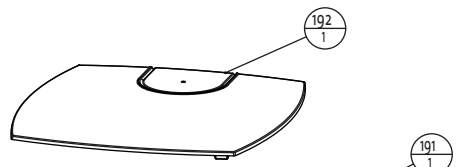
Jøtul AS
Fredrikstad, Norway

Draw. no. 3-3161-P03

Date: May 2008



SCALE
1:5



351205 Cast Iron Base Jøtul F274 BP
351206 Cast Iron Base Jøtul F274 GP

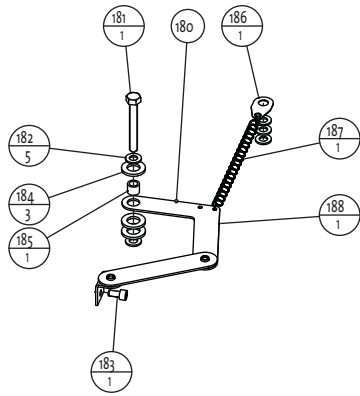
351190 Cast Iron Base with Door Jøtul F275 BP
351191 Cast Iron Base with Door Jøtul F275 GP
361003 Door Kit Jøtul F275

DETAIL A

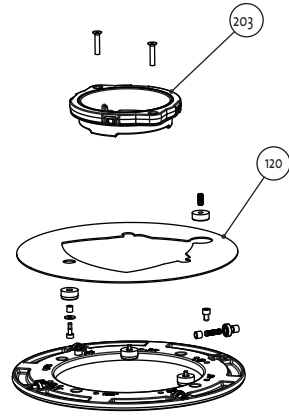
DETAIL B

Delliste/ part list Jøtul F 270		Sheet 2 of 3
Jøtul AS Fredrikstad, Norway	Draw. no. 3-3161-P03	Date: May 2008

351113 Self Closing Mechanism Jøtul F 270

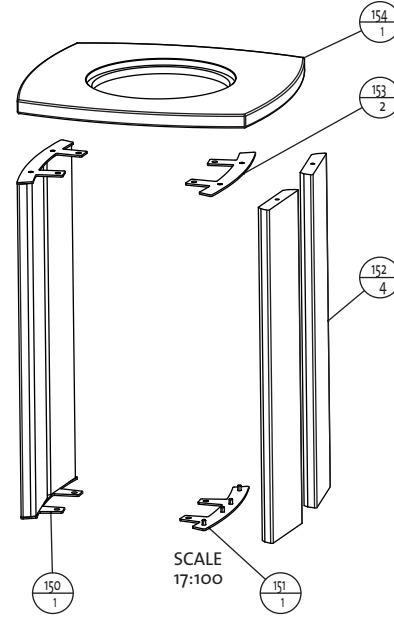


350997 Revolving pedestal Jøtul F 270 / F 270

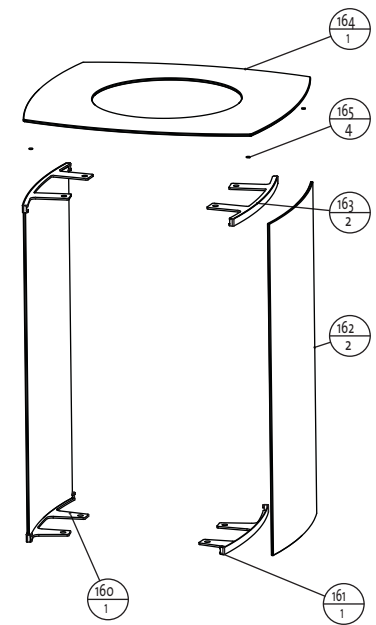


351143 Soap Stone Sides Jøtul F 270 BP
351144 Soap Stone Sides Jøtul F 270 GP

351142 Soap Stone Top n Jøtul F 270

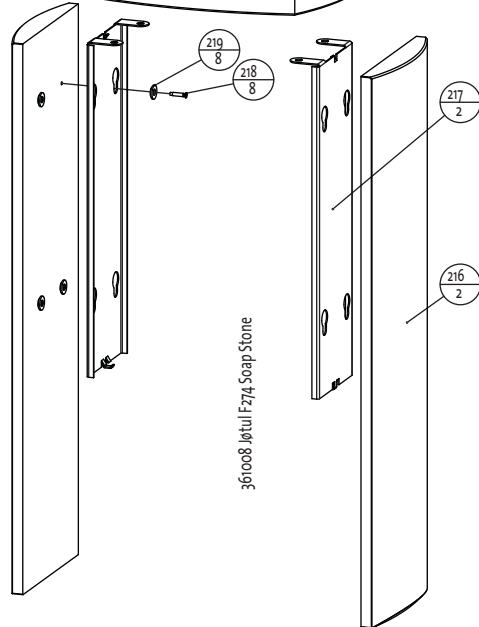
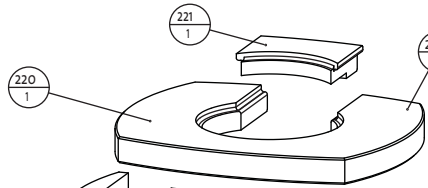


351137 Glass Decor Topp k Jøtul F 270

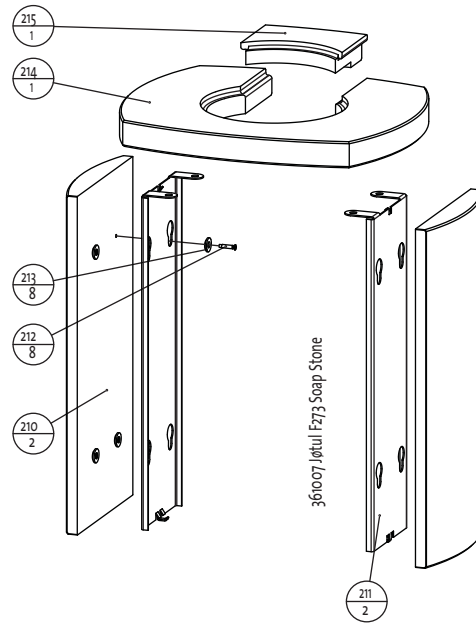


351138 Glass Decor Sides c Jøtul F 270 BP
351139 Glass Decor Sides c Jøtul F 270 GP

361009 Soapstone Top Complete Jøtul F 270

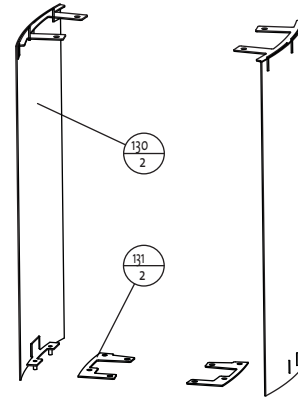


361008 Jøtul F 274 Soap Stone

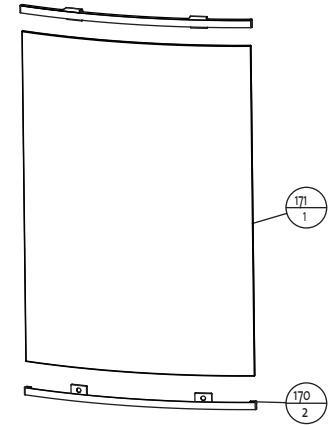


361007 Jøtul F 273 Soap Stone

350951 Steel decor Side Low Jøtul F 270 BP
350954 Steel decor Side Low Jøtul F 270 GP



351140 Glass Decor Door c Jøtul F 270 BP
351141 Glass Decor Door c Jøtul F 270 GP



Delliste/ part list Jøtul F 270

Sheet 3 of 3

Jøtul AS
Fredrikstad, Norway

Draw. no. 3-3161-P03

Date: May 2008

Jøtul F 270

Jøtul F 270 cat no. 350791 BP/cat no. 350792 GP

Pos. no.	Spareparts	Consist of pos.no:	Benevnelse	Description	Dim./Spec.
1	117833		Skruer maskin senkeh poz M6x12 Sort DIN 966	Screw machine flat poz M6x12 Black DIN 966	Black DIN 966
2			Askeskuff front	Ash Pan Front	Cast Iron min 4mm thickness
3			Askeskuff Platestål riveted	Ash pan steelpart riveted	Steel
4	116913		Skruer senkeh innv sekskant M8x40 DIN 7991	Screw Socket Flat Head Cap M8x40 DIN 7991	St10.9
5			Front	Front	Cast Iron min 4mm thickness
5	156236	5, 14	Front BP	Front BP	Cast Iron min 4mm thickness
5	156237	5, 14	Front GP	Front GP	Cast Iron min 4mm thickness
6	221554		Hengsel dør nede	Hinge Door lower	Black matte Chromating
7	117588		Skive Ø6xØ12x0,5 St8.8 Elzn Spesial	Washer Ø6xØ12x0.5 St8.8 Elzn Special	St8.8 / ANSI B18.2
8	117881		Mutter sekskant med flens M8 ubeh. DIN 6923	Nut hex cap flange M8 untr. DIN 6923	St8.8 / ANSI B18.2
9	117868		Skruer senkeh innv sekskant M8x30 DIN 7991	Screw Socket Flat Head Cap M8x30 DIN 7991	St10.9
10	221428		Hengsel dør oppe	Hinge Door upper	Black matte Chromating
11	221451		Brennplate venstre	Burn Plate Left	Vermiculite
12	10439992		Sideplate venstre BP	Side Plate Left	Cast Iron min 4mm thickness
12	10439995		Sideplate venstre GP	Side Plate Left	Cast Iron min 4mm thickness
13	10445218		Luftkanal brennkammer venstre	Air Channel burn chamber left	Cast Iron min 4mm thickness
14			Pakn LD 250-2 m/lim 6,4x600	Gasket 250-2 W/A 6,4x600	Gasket 250-2 W/A 6,4x600
15	221429		Lås dør oppe	Lock door upper	Steel
16	10441912		Brikke	Bracket	Cast Iron min 4mm thickness
17	156679		Brennplate bak	Burn Plate Rear	Vermiculite
18	10440612		Hvelv	Baffle Plate	Cast Iron min 4mm thickness
19	10440712		Ledeplate	Exhaust Deflector	Cast Iron min 4mm thickness
20	117875		Skruer sekskant med flens M8x20 DIN 6921	Screw hex cap flange frame M8x20 DIN 6921	St8.8 / ANSI B18.2
21	221601		Luftrist topp	Air Outlet Top	Cast Iron min 4mm thickness
22	10441792		Skål topp BP	Smoke Outlet Bowl BP	Cast Iron min 4mm thickness
22	10441795		Skål topp GP	Smoke Outlet Bowl GP	Cast Iron min 4mm thickness
23	117876		Skruer sekskant med flens M8x25 DIN 6921	Screw hex cap flange frame M8x25 DIN 6921	St8.8 / ANSI B18.2
24	156240	24, 29	Røkstuss Ø150 dripless	Smoke outl Ø150 dripless	Cast Iron min 4mm thickness
25	10441592		Topplate ytre BP	Top Plate Outer BP	Cast Iron min 4mm thickness
25	10441595		Topplate ytre GP	Top Plate Outer GP	Cast Iron min 4mm thickness
26	156242	25, 29	Topplate indre	Top Plate Inner	Cast Iron min 4mm thickness
27	10445412		Luftkanal bak oppe venstre	Air Channel rear upper L	Cast Iron min 4mm thickness
28	117879		Skruer sekskant med flens M8x40 DIN 6921	Screw hex cap flange frame M8x40 DIN 6921	St8.8 / ANSI B18.2
29			Pakn LD 250-2 m/lim 6,4x600	Gasket LD 250-2 W/A 6,4x600	Gasket LD 250-2 W/A 6,4x600
30	156243	30, 29	Deksel røkhull	Smoke Outlet Cover	Cast Iron min 4mm thickness
31	117874		Skruer sekskant med flens M8x16 DIN 6921	Screw hex cap flange frame M8x16 DIN 6921	St8.8 / ANSI B18.2
32	10441492		Bakplate ytre BP	Rear Plate Outer BP	Cast Iron min 4mm thickness
32	10441495		Bakplate ytre GP	Rear Plate Outer GP	Cast Iron min 4mm thickness
33	117873		Skruer sekskant med flens M8x12 DIN 6921	Screw hex cap flange frame M8x12 DIN 6921	St8.8 / ANSI B18.2
34	10445512		Luftkanal bak høyre	Air Channel Rear Upper R	Cast Iron min 4mm thickness
35	10445612		Luftkanal bak nede	Air Channel Rear Lower	Cast Iron min 4mm thickness
36	156234	36, 44	Bakplate indre	Rear Plate Inner	Cast Iron min 4mm thickness
37	221452		Brennplate høyre	Burn Plate Right	Vermiculite
38			Pakn LD 250-2 M/L Ø6,4X350	Gasket LD 250-2 W/A Ø6,4X350	Gasket LD 250-2 W/A Ø6,4X350
39	10445318		Luftkanal brennkammer høyre	Air channel burn chamber right	Cast Iron min 4mm thickness
40	10440192		Sideplate høyre BP	Side Plate Right BP	Cast Iron min 4mm thickness
40	10440195		Sideplate høyre GP	Side Plate Right GP	Cast Iron min 4mm thickness
41	10440512		Skakerist	Riddeling grate	Cast Iron min 4mm thickness
42	10440412		Fyrbunn	Bottom plate inner	Cast Iron min 4mm thickness
43	117877		Skruer sekskant med flens M8x30 DIN 6921	Screw hex cap flange frame M8x30 DIN 6921	St8.8 / ANSI B18.2
44	118108		Blindnagle Mutter M8	Blind Rivet Nut M8	Type UPO55 RS
45	10440312		Ventildeksel uteluft	Valve Cover outside air	Cast Iron min 4mm thickness
46	221568		Tetteplate for skakestang	Sealing plate for riddler plate handle	S235JRG2 (St 37-2)
47			Pakn LD 250-2 Ø6,4x300	Gasket LD 250-2 Ø6,4x300	Gasket LD 250-2 Ø6,4x300
48	156244	48, 47, 57, 58	Bunnplate	Bottom Plate	Cast Iron min 4mm thickness

Jøtul F 270

Jøtul F 270 cat no. 350791 BP/cat no. 350792 GP

Pos. no.	Spareparts	Consist of pos.no:	Benevnelse	Description	Dim./Spec.
49	221424		Opptenningsventil sleideboks	Ignition vent, sliding box	Aluzink DX 51D+AZ
50	221423		Opptenningsventilhåndtak sammenst.	Ignition vent handle	Steel Satin Nickel
51	221447		Distansehylse	Distance housing	Steel
52	221422		Skjermplate under	Heat shield	Aluzink DX 51D+AZ Thickness 0.9mm
53	128112		Hylse f/dørslå	Sleeve	Steel
55	221425		Primærluftventil Håndtak	Primary vent handle	Stål Satin Nickel
56	221517		Primærluftventil sleideboks	Primary vent, sliding box	Aluzink DX 51D+AZ
57	221433		Pakning primærluft ventil	Gasket primary vent	Superwool 607
58			Pakn LD 250-2 M/L Ø6,4x1550	Gasket LD 250-2 W/A Ø6,4x1550	Gasket LD 250-2 W/A Ø6,4x1550
59	221555		Lås dør nede	Lock door lower	Steel
60	156232	70 to 78	Dør kompl u/ glass BP	Door Compl w/o Glass BP	
60	156233	70 to 78	Dør kompl u/ glass GP	Door Complete w/o Glass GP	
60		70 to 79	Dør komplett BP	Door Complete BP	
60		70 to 79	Dør komplett GP	Door Complete GP	
61	156238		Askeskuff komp BP	Ash Pan Complete BP	
61	156239		Askeskuff komp GP	Ash Pan Complete GP	
62			Pakn LD 250-2 m/lim 6,4x1450	Gasket LD 250-2 W/A 6,4x1450	Gasket LD 250-2 W/A 6,4x1450
63			Pakn LD 250-2 6,4x100	Gasket LD 250-2 6,4x100	Gasket LD 250-2 6,4x100
70	221560		Håndtak dør	Handle door	Steel Satin Nickel
71	117129		Skruer sekskant med flens M6x10 Spesial	Screw hex cap flange frame M6x10 Special	Steel
72	221430		Låsemekanisme dør komplett	Locking mechanism door complete	Steel
73			Pakn LD 375-2 Ø9,5x2000	Gasket LD 375-2 Ø9,5x2000	Gasket LD 375-2 Ø9,5x2000
74	116892		Skruer maskin senkeh poz M6x10 Elzn DIN 965	Screw machine flat poz M6x10 Elzn DIN 965	Elzn DIN 965
75	128412		Glassklips (glass)	Glass Clip (glass)	Stainless Steel
76	127107		Glassklips (pakning)	Glass Clip (gasket)	Stainless Steel
77			Dør	Door	Stainless Steel
78			Pakning LD 250-2 M/L Ø6,4x1550	Gasket LD 250-2 W/adhesive Ø6,4x1550	
79	221427		Glass dør 430x350x4	Glass door 430x350x4	NEOCERAM NO
80	116650		Skruer sekskant M8x16 Elzn DIN 558	Screw Hexagon M8x16 Elzn DIN 558	St8.8 / ANSI B18.2
81	10442092		Ben Lav venstre BP	Leg Low Left BP	Cast Iron min 4mm thickness
81	10442095		Ben Lav venstre GP	Leg Low Left GP	Cast Iron min 4mm thickness
82	10445792		Ben avstiver BP	Leg Support	Cast Iron min 4mm thickness
82	10445795		Ben avstiver GP	Leg Support	Cast Iron min 4mm thickness
83	117875		Skruer sekskant med flens M8x20 DIN 6921	Screw hex cap flange frame M8x20 DIN 6921	St8.8 / ANSI B18.2
84	10442192		Ben Lav Høyre BP	Leg Low Right BP	Cast Iron min 4mm thickness
84	10442195		Ben Lav Høyre GP	Leg Low Right GP	Cast Iron min 4mm thickness
90	116650		Skruer sekskant M8x16 Elzn DIN 558	Screw Hexagon M8x16 Elzn DIN 558	St8.8 / ANSI B18.2
91	10442992		Ben lange venstre BP	Leg High left BP	Cast Iron min 4mm thickness
91	10442995		Ben lange venstre GP	Leg High left GP	Cast Iron min 4mm thickness
92	10445792		Ben avstiver BP	Leg Support	Cast Iron min 4mm thickness
92	10445795		Ben avstiver GP	Leg Support	Cast Iron min 4mm thickness
93	117875		Skruer sekskant med flens M8x20 DIN 6921	Screw hex cap flange frame M8x20 DIN 6921	St8.8 / ANSI B18.2
94	10443092		Ben lange høyre BP	Leg High Right BP	Cast Iron min 4mm thickness
94	10443095		Ben lange høyre GP	Leg High Right GP	Cast Iron min 4mm thickness
100	117876		Skruer sekskant med flens M8x25 DIN 6921	Screw hex cap flange frame M8x25 DIN 6921	St8.8 / ANSI B18.2
101	117875		Skruer sekskant med flens M8x20 DIN 6921	Screw hex cap flange frame M8x20 DIN 6921	St8.8 / ANSI B18.2
102	156252		Søyler plate BP	Pedestal Plate BP	Cast Iron min 4mm thickness
102	156253		Søyler plate GP	Pedestal Plate GP	Cast Iron min 4mm thickness
103	10453992		Søyler halvdelen fremre høy BP	Pedestal Front high BP	Cast Iron min 4mm thickness
103	10453995		Søyler halvdelen fremre høy GP	Pedestal Front high GP	Cast Iron min 4mm thickness
104	117881		Mutter sekskant med flens M8 ubeh. DIN 6923	Nut hex cap flange M8 untr. DIN 6923	St8.8 / ANSI B18.2
105	10453892		Søyler halvdelen bakre høy BP	Pedestal Back high BP	Cast Iron min 4mm thickness
105	10453895		Søyler halvdelen bakre høy GP	Pedestal Back high GP	Cast Iron min 4mm thickness
106	117873		Skruer sekskant med flens M8x12 DIN 6921	Screw hex cap flange frame M8x12 DIN 6921	St8.8 / ANSI B18.2
107	10445892		Søylestuss for innluft BP	Connect Pipe For Out Vent BP	Cast Iron min 4mm thickness

Jøtul F 270

Jøtul F 270 cat no. 350791 BP/cat no. 350792 GP

Pos. no.	Spareparts	Consist of pos.no:	Benevnelse	Description	Dim./Spec.
189	10473592		Ben lange høyre F274 BP	Leg High Right F274 BP	Cast Iron min 4mm thickness
189	10473595		Ben lange høyre F274 GP	Leg High Right F274 GP	Cast Iron min 4mm thickness
190	10473692		Ben lange venstre F275 BP	Leg High Left F275 BP	Cast Iron min 4mm thickness
190	10473695		Ben lange venstre F275 GP	Leg High Left F275 GP	Cast Iron min 4mm thickness
191	10474392		Bakstykke F275 BP	Rear Cast Iron F275 BP	Cast Iron min 4mm thickness
191	10474395		Bakstykke F275 GP	Rear Cast Iron F275 GÅ	Cast Iron min 4mm thickness
192	10474492		Sokkel hylle F275 BP	Cast Iron Shelf F275 BP	Cast Iron min 4mm thickness
192	10474495		Sokkel hylle F275 GP	Cast Iron Shelf F275 GP	Cast Iron min 4mm thickness
193	116650		Skrue Seksk M8x16 St8.8 ElZn	Screw Hex M8x16 St8.8 ElZn	St8.8 / ANSI B18.2
194	117875		Skrue 6k m/Fl M8x20 St8.8 Ubeh	Scr HexCap Fl M8x20 St8.8 Untr	St8.8 / ANSI B18.2
195	222664		Beskyttelseshette M8 sekskant svart	Protection cap M8 Hexagon black	Polypropylene
			Glass Door Kit F275 cat no. 361003		
200	222106		Fjær Ewes E0360-041-45005	Spring Ewes E0360-041-45005	Steel
201	126164		Fjær F/Klinke		Steel
202	117833		Skrue MaskLinse Poz M6x12sortk	Screw MachOval Poz M6x12Blackc	St8.8 / ANSI B18.2
203	11711		Skrue 6k m/Fl M6x20 St8.8 Ubeh	Scr HexCap Fl M6x20 St8.8 Untr	St8.8 / ANSI B18.2
204	222341		Dørdemper	Resilient button	Plastic Ø7x1,5mm
205	222880		Glassdør m/hengsel F275		
			Jøtul F275 Cast Iron Base (included Glass Door) cat no. 351190 BP / cat no. 351191 GP		
	351205	189-195	F274 Støpejernsokkel BP	F274 Cast Iron Base BP	Complete Kit
	351206	189-195	F274 Støpejernsokkel GP	F274 Cast Iron Base GP	Complete Kit
	361003	200-205	Glassdør sett F275	Glass Door Kit F275	Complete Kit

Tegn. no 3-3161-P10