

Partlist, Jøtul F 160, page 1 / 4

Jøtul AS
Fredrikstad, Norway

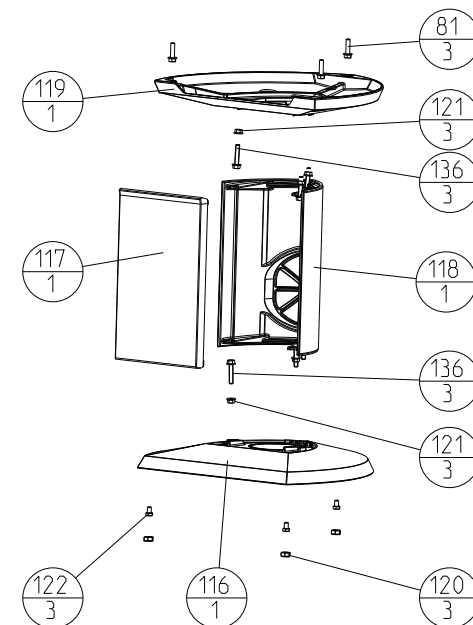
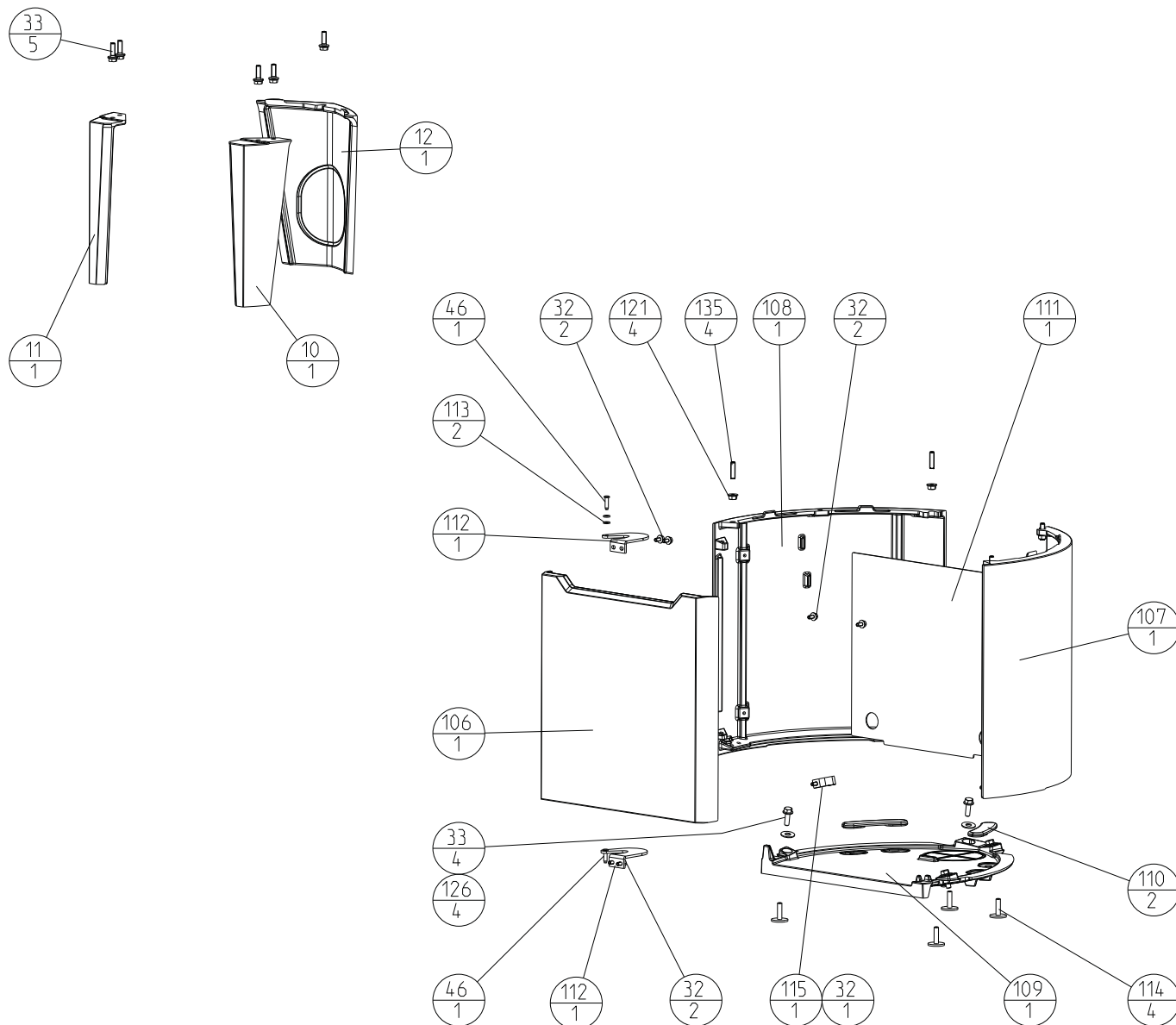
Draw. no:
900129-P16

Date:
25.10.2016

Jøtul F 162 / Jøtul F 163

Jøtul F 164 / Jøtul F 165

Jøtul F 166 / Jøtul F 167

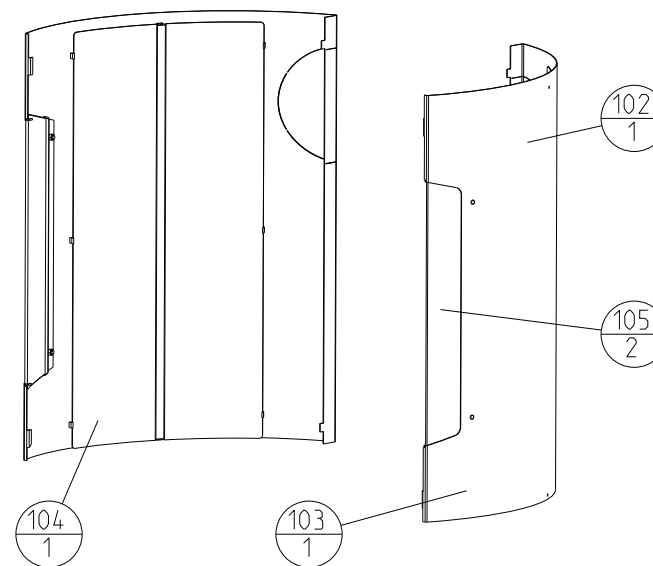
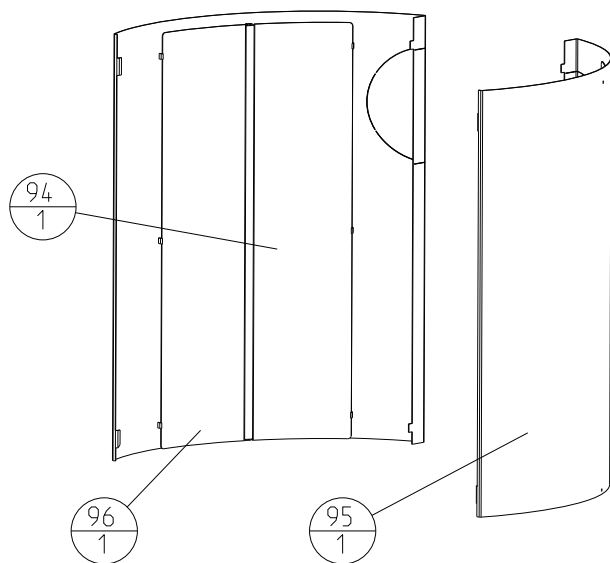
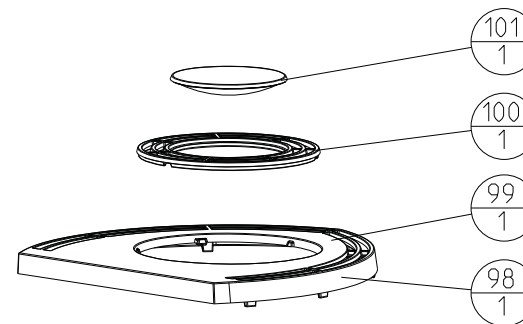
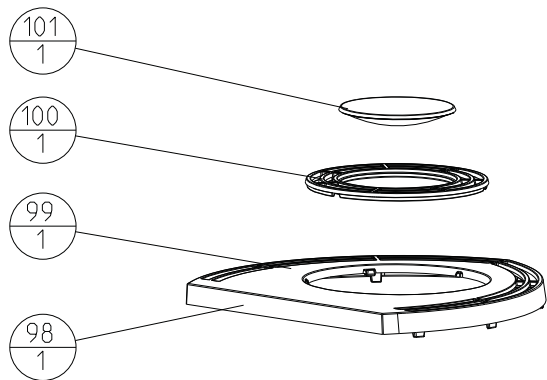


Partlist, Jøtul F 160, page 2 / 4

Jøtul AS
Fredrikstad, Norway

Draw. no:
900129-P16

Date:
25.10.2016



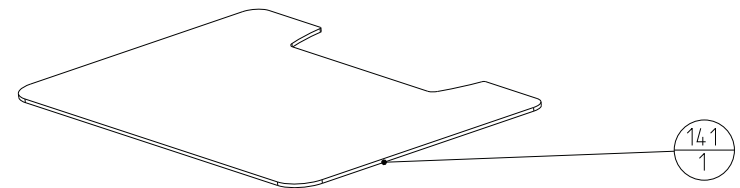
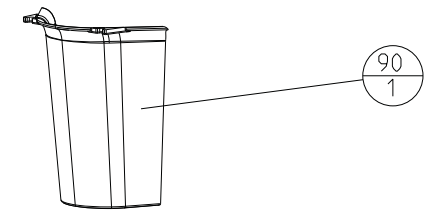
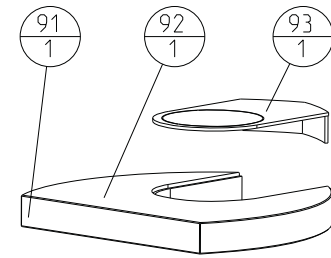
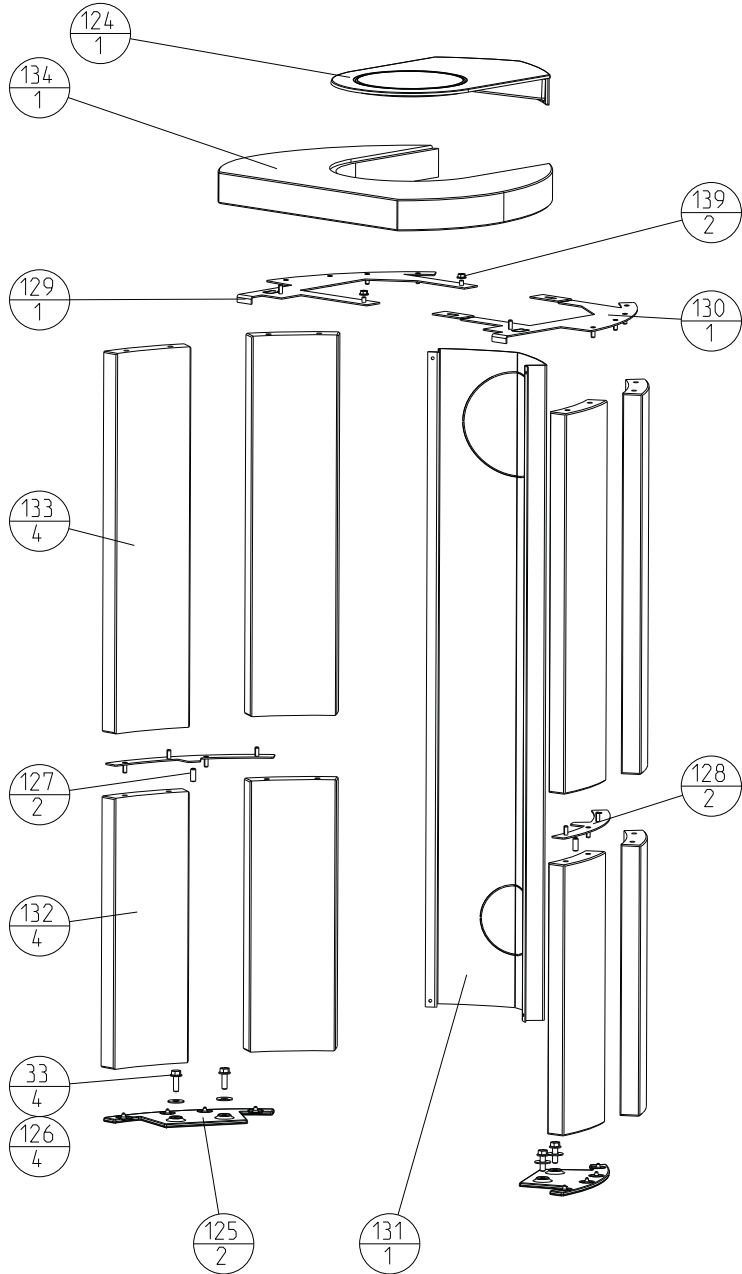
Partlist, Jøtul F 160, page 3 / 4

Jøtul AS
Fredrikstad, Norway

Draw. no:
900129-P16

Date:
25.10.2016

Jøtul F 164 / Jøtul F 165



Jøtul F 160 Serien

Jøtul F 162 BP, cat. no. 30023263, Jøtul F 162 C BP, cat. no. 21036887, Jøtul F 163 BP m/sideglass, cat. no. 30023267, Jøtul F 163 C BP, cat. no. 21037453

Jøtul F 163 BLE, cat. no. 30036895, Jøtul F 163 WHE, cat. no. 30036894,

Jøtul F 164 BP, cat. no. 30044115, Jøtul F165 BP, cat no. 30044116, Jøtul F 166 BP, cat. no. 30044528, Jøtul F 167 BP, cat. no. 30044529

BP= Sort lakk/Black Paint, GP= Grå lakk/Grey Paint UP= Ulakkert/Unpainted, BLE= Sort emalje/Black enamel, WHE= Hvit emalje/White enamel

Pos. no.	Spareparts	Consist of pos.no:	Benevnelse	Description	Dim./Spec.
1	12019601		Topp BP Utgått !!	Top BP Discontinued !!	Cast Iron min 4mm thickness
1	12036563		Topp BLE Utgått !!	Top BLE Discontinued !!	Cast Iron min 4mm thickness
1	12043430		Topp WHE Utgått !!	Top WHE Discontinued !!	Cast Iron min 4mm thickness
2			Dør	Door	Cast Iron min 4mm thickness
3	12019602		Bunn BP	Bottom BP	Cast Iron min 4mm thickness
3	12036564		Bunn BLE	Bottom BLE	Cast Iron min 4mm thickness
3	12043433		Bunn WHE	Bottom WHE	Cast Iron min 4mm thickness
4	12019596		Sidestykke, Høyre, for sideglass BP	Side plate, Right, for side glass BP	Cast Iron min 4mm thickness
4	12036560		Sidestykke, Høyre, for sideglass BLE	Side plate, Right, for side glass BLE	Cast Iron min 4mm thickness
4	12043431		Sidestykke, Høyre, for sideglass WHE	Side plate, Right, for side glass WHE	Cast Iron min 4mm thickness
5	12019598		Sidestykke, Venstre,for sideglass BP	Side plate, Left, for side glass BP	Cast Iron min 4mm thickness
5	12036561		Sidestykke, Venstre,for sideglass BLE	Side plate, Left, for side glass BLE	Cast Iron min 4mm thickness
5	12043432		Sidestykke, Venstre,for sideglass WHE	Side plate, Left, for side glass WHE	Cast Iron min 4mm thickness
6	12019604		Spylebrem	Air deflector	Cast Iron min 4mm thickness
7	12019606		Fyrbunn, Utgått !!	Bottom plate inner. Discontinued !!	Cast Iron min 4mm thickness
7	12019606	153 , 154	Fyrbunn komplett MK2 Ny April 2016	Bottom plate inner komplette MK2 New Apr.2016	Cast Iron min 4mm thickness
153	12050671		Fyrbunn F160 MK2	Inner Bottom F160 MK2	Cast Iron min 4mm thickness
154	12050672		Fyrbunnrist F160 MK2	Inner Bottom Grate F160 MK2	Cast Iron min 4mm thickness
8	12019608		Bakplate	Rear plate	Cast Iron min 4mm thickness
8	12044164		Bakplate for hvit emalje (glødet)	Rear plate for white enamel (glowed)	Cast Iron min 4mm thickness
9	12019610		Luftkanal bak	Air chanell	Cast Iron min 4mm thickness
10	12019618		Høyre ben BP	Right leg BP	Cast Iron min 4mm thickness
10	12036567		Høyre ben BLE	Right leg BLE	Cast Iron min 4mm thickness
10	12043426		Høyre ben WHE	Right leg WHE	Cast Iron min 4mm thickness
11	12019614		Venstre ben BP	Left leg BP	Cast Iron min 4mm thickness
11	12036565		Venstre ben BLE	Left leg BLE	Cast Iron min 4mm thickness
11	12043424		Venstre ben WHE	Left leg WHE	Cast Iron min 4mm thickness
12	12019616		Bakre ben BP	Rear leg BP	Cast Iron min 4mm thickness
12	12036566		Bakre ben BLE	Rear leg BLE	Cast Iron min 4mm thickness
12	12043425		Bakre ben WHE	Rear leg WHE	Cast Iron min 4mm thickness
13	12019620		Deksel uteluft	Cover outside air	Cast Iron min 4mm thickness
14	12044748		Håndtak BP	Handle BP	Cast Iron min 4mm thickness
14	12043464		Håndtak BLE	Handle BLE	Cast Iron min 4mm thickness
14	12043463		Håndtak WHE	Handle WHE	Cast Iron min 4mm thickness
15	10026670		Håndtak luftventil BP	Handle primary air BP	Cast Iron min 4mm thickness
15	12036568		Håndtak luftventil BLE	Handle primary air BLE	Cast Iron min 4mm thickness
15	12043434		Håndtak luftventil WHE	Handle primary air WHE	Cast Iron min 4mm thickness
16	12019941		Deksel hengslehus	Cover hingeouse	Cast Iron min 4mm thickness
17	12019624		Hengselbrakett oppe	Hingebracket upper	Cast Iron min 4mm thickness
18	12019622		Hengselbrakett nede	Hingebracket	Cast Iron min 4mm thickness
19	12031348		Deksel røkuttak F 160 BP	Smoke outlet cover F 160 BP	Cast Iron min 4mm thickness
19	12036573		Deksel røkuttak F 160 BLE	Smoke outlet cover F 160 BLE	Cast Iron min 4mm thickness
19	12043427		Deksel røkuttak F 160 WHE	Smoke outlet cover F 160 WHE	Cast Iron min 4mm thickness
20	12018871		Røkstuss ø150 driplless BP	Smoke outlet ø150 drippless BP	Cast Iron min 4mm thickness
20	12036541		Røkstuss ø150 driplless BLE	Smoke outlet ø150 drippless BLE	Cast Iron min 4mm thickness
20	12043461		Røkstuss ø150 driplless WHE	Smoke outlet ø150 drippless WHE	Cast Iron min 4mm thickness
21	12019639		Ledeplate venstre	Deflector left	Cast Iron min 4mm thickness
22	12021955	2,31,32,34,35,61,62	Dør komplett u/glass BP Før Okt. 2016	Door complete without glass BP Pre. Oct 2016	
22	12039597	2,31,32,34,35,61,62	Dør komplett u/glass BLE Før Okt. 2016	Door complete without glass BLE Pre. Oct 2016	
22	12039598	2,31,32,34,35,61,62	Dør komplett u/glass WHE Før Okt. 2016	Door complete without glass WHE Pre. Oct 2016	
22	12051614	2,31,32,34,35,61,62	Dør komplett u/glass BP MK2 Okt. 2016	Door complete without glass BP MK2 Oct. 2016	
22	12051615	2,31,32,34,35,61,62	Dør komplett u/glass BLE MK2 Okt. 2016	Door complete without glass BLE MK2 Oct. 2016	
22	12051616	2,31,32,34,35,61,62	Dør komplett u/glass WHE MK2 Okt. 2016	Door complete without glass WHE MK2 Oct. 2016	
23	10026609		Hengsle	Hinge	5mm steel
24	10026581		Glass for dør	Glass for door	Ceramic glass 4mm
25	10026640		Sideglass	Side glass	Ceramic glass 4mm
26	10036732		Ventil plate	Valve plate	steel
27	12019637		Ledeplate Høyre	Deflector right	Cast Iron min 4mm thickness
28	40026582	See Pos. 151	Hvelv (Komplett brenpl. Kitt Pos.151 10044934)	Baffle (Complete burn pl. Kitt Pos.151 10044934)	Vermiculite

Jøtul F 160 Serien

Jøtul F 162 BP, cat. no. 30023263, Jøtul F 162 C BP, cat. no. 21036887, Jøtul F 163 BP m/sideglass, cat. no. 30023267, Jøtul F 163 C BP, cat. no. 21037453

Jøtul F 163 BLE, cat. no. 30036895, Jøtul F 163 WHE, cat. no. 30036894,

Jøtul F 164 BP, cat. no. 30044115, Jøtul F165 BP, cat no. 30044116, Jøtul F 166 BP, cat. no. 30044528, Jøtul F 167 BP, cat. no. 30044529

BP= Sort lakk/Black Paint, GP= Grå lakk/Grey Paint UP= Ulakkert/Unpainted, BLE= Sort emalje/Black enamel, WHE= Hvit emalje/White enamel

Pos. no.	Spareparts	Consist of pos.no:	Benevnelse	Description	Dim./Spec.
29	10026638		Askeskuff	Ash pan	steel
30	10026648		Luftkanal komplett	Air dist. Complete	steel
31	10026637		Aksel lås dør komplett Før Okt. 2016 (For nyere versjon se pos. 157)	Axle lock door complete Pre. Oct 2016 (For newer version see pos. 157)	
32	10023545		Skrue sekskant med flens M6x12 DIN 6921	Screw hex cap flange M6x12 DIN 6921	St8.8 / ANSI B18.2
33	10023663		Skrue sekskant med flens M8x25 DIN 6921	Screw hex cap flange M8x25 DIN 6921	St8.8 / ANSI B18.2
34	10023707		Skrue senkhode Innvendig Sekskant M6x10	Screw Countersunk Cap Internal Hex. M6x10	St8.8 / ANSI B18.2 DIN 7991
35	10024259		Glassklips	Glassclip	Stanless Steel
36	10023984		Klips for sideglass	Clip for side glass	Stanless Steel
37	10023520		Skrue sekskant M6x12	Hexagon screw M6x12	M6x12
38	10026583	See Pos. 151	Brennplate (Komplett brenpl. Kitt Pos.151 10044934)	Burn plate (Complete burn pl. Kitt Pos.151 10044934)	Vermiculite
39	10026584	See Pos. 151	Brennplate (Komplett brenpl. Kitt Pos.151 10044934)	Burn plate (Complete burn pl. Kitt Pos.151 10044934)	Vermiculite
40	12019645		Brennplate bakre	Burn plate rear	Cast Iron min 4mm thickness
41	10023536		Skrue sekskant med flens M6x25 Spesial	Screw hex cap flange frame M6x25 Special	
42	10026565		Fjær for ventiler	Spring for valves	Stainless spring steel
43	10023672		Skive Ø10,1xØ19,4x0,9 Sort	Washer Ø10.1xØ19.4x0.9 Black	
44		41, 48, 49, 53, 55	Selvlukkemekanisme komplett	Bauart 1 feder	
45	10026588		Stopper luftventil	Stop air valve	Stainless spring steel
46	10024104		Nagle ø6x24, sortkrom	Rivet ø6x24, black chromate	steel
47	10023464		Skive Ø6,4xØ12,5x1.6 Elzn. DIN 125	Washer Ø6.4xØ12.5x1.6 Elzn. DIN 125	Steel
48	10025624		Fjær E0360-034-3500M	Spring E0360-034-3500M	
49	10023725		Skrue senkhode M6x25 delgjenget	Screw countersunk M6x25 part thread 6mm	M6x25 DIN 7991
					HYLSE Ø10XØ6,2X10
52	10023588		Skrue sylindrh. innv. seksk. M6x12 DIN 912	Screw Cylinderh. int. hex, M6x12 DIN 912	
53	10026649		Brakett for fjær-selvlukkende dør	Bracket For Spring Self Closing Door	Steel
54		3, 18, 23, 26, 42, 43, 45, 46, 47, 55, 68, 69	Bunn komplett	Bottom complete	
55	10023998		Hylse	Sleeve	Ø10xØ6,2x15mm, Steel
56		1, 16, 17, 23, 46, 57, 58, 70	Topp komplett	Top complete	
57	10023541		Skrue sekskant med flens M6x16 Spesial	Screw hex cap flange frame M6x16 Special	M6x16
59		4, 36, 52, 71	Høyre Sidestykke komplett u/glass	Right sideplate comp without glass	
60		5, 36, 52, 71	Venstre sidestykke komplett u/glass	Left sideplate comp without glass	
61			Pakning for glass m/lim Ø6,4	Gasket for glas with glue Ø6,4	LD 250-2 graph Ø6,4x1440mm
62			Pakn snor for dør Ø8mm (Før Juni 2017)	Gasket for door Ø8mm (Pre June 2017)	S008-Ø8mm KI Ø8x1690mm
62	10025202		Pakn snor for dør (Etter Juni 2017)	Gasket for door (From June 2017)	ROPE LD-360 GRAPHITE L=1.69
63			Pakn for topp Ø6,4x 1150 M/LIM	Gasket for top Ø6,4x1150mm with glue	LD 250-2 graph Ø6,4x1150mm
64			Pakn for bunn Ø6,4x 1200 M/LIM	Gasket for base Ø6,4x1200mm with glue	LD 250-2 graph Ø6,4x1200mm
65			Pakn for luftkanal Ø6,4 x300	Gasket for air chanel Ø6,4x300mm	LD 250-2 Ø6,4x300mm
66	10026663		Isolasjonsmatte 270X80X13mm	Insulation 270X80X13mm	Superwool
67	10026664		Isolasjonsmatte 205X60X13mm	Insulation 205X60X13mm	Superwool
68	10023544		Skrue sekskant med flens M6x10 Spesial	Screw hex cap flange frame M6x10 Special	M6x10
69	10023469		Skrue sekskant M8x20 Elzn	Screw Hexagon M8x20 Elzn	St8.8 / ANSI B18.2
70	10023556		Skrue senkehode innvendig sekskant M6x16	Screw Countersunk Cap Internal Hex. M6x16	M6x16
71			Pakn for bunndeksel Ø6,4x1000mm m/lim	Gasket for bottom cover Ø6,4x1000mm w/glue	LD 250-2 graph Ø6,4x1000mm
72	12019654		Sidestykke H uten sideglass (351223)	Side plate, R without sideglass	Cast Iron min 4mm thickness
73	12019656		Sidestykke, V uten sideglass (351223)	Side plate, L without sideglass	Cast Iron min 4mm thickness
74			Pakn for bakplate Ø6,4x580mm m/lim	Gasket for back plate Ø6,4x580mm w/glue	LD 250-2 graph Ø6,4x580mm
75	10026437		Hengsel pinne 8x8x24 Før Okt. 2016 (For nyere versjon se pos. 158)	Hinge pin 8x8x24 Pre. Oct. 2016 (For newer version see pos. 158)	Steel
76	10023660		Skrue sekskant med flens M8x12	Screw hex cap flange frame M8x12	M8x12
77			Pakning for sideglass Ø6,4x980mm m/lim	Gasket for side glas Ø6,4x980 with glue	LD 250-2 graph Ø6,4x980mm
78	10026781		Apperture for sideglass	Apperture for sideglass	0.5mm steel
79			Pakn for brennplate Ø6,4 m/lim	Gasket for burn plate Ø6,4 w/glue	LD 250-2 graph Ø6,4
80			Pakn for røykstuss Ø6,4 m/lim	Gasket for skoke outlet Ø6,4 w/glue	LD 250-2 graph Ø6,4
81	10023664		Skrue sekskant med flens M8x30	Screw hex cap flange frame M8x30	M8X30
82	10023662		Skrue sekskant med flens M8x20	Screw hex cap flange frame M8x20	M8X20
83	10026400		Avstandstykke	Distance piece	Steel
85	10023780		Skive	washer	Steel
86	10026284		Låsekrok nedre	Locking bar lower	Steel

Jøtul F 160 Serien

Jøtul F 162 BP, cat. no. 30023263, Jøtul F 162 C BP, cat. no. 21036887, Jøtul F 163 BP m/sideglass, cat. no. 30023267, Jøtul F 163 C BP, cat. no. 21037453

Jøtul F 163 BLE, cat. no. 30036895, Jøtul F 163 WHE, cat. no. 30036894,

Jøtul F 164 BP, cat. no. 30044115, Jøtul F165 BP, cat. no. 30044116, Jøtul F 166 BP, cat. no. 30044528, Jøtul F 167 BP, cat. no. 30044529

BP= Sort lakk/Black Paint, GP= Grå lakk/Grey Paint UP= Ulakkert/Unpainted, BLE= Sort emalje/Black enamel, WHE= Hvit emalje/White enamel

Pos. no.	Spareparts	Consist of pos.no:	Benevnelse	Description	Dim./Spec.
87	10038336		Låsekrok øvre	Locking bar upper	Steel
150	10038468		Sideglass venstre	Side glass left	Ceramic glass 4mm
151	10038467		Sideglass høyre	Side glass right	Ceramic glass 4mm
152	10023656		SKR SENKH INNV6K M8X30 ST10,9		
Jøtul F 162 C					
94	50013045		Konveksjon sider komplett	Convection sides complete	Steel
95			Konveksjon side høyre	Convection side right	Steel
96			Konveksjon side venstre	Convection side left	Steel
98	50036913	99, 100	Konveksjonstopp komplett	Convection top complete	Cast Iron min 4mm thickness
99			Konveksjonstopp	Convection top	Cast Iron min 4mm thickness
100	12018891		Luftrist for konveksjonstopp	Air grid	Cast Iron min 4mm thickness
101	12018896		Skål topp	Smoke outlet Bowl	Cast Iron min 4mm thickness
Jøtul F 163 C					
98	50036913	99, 100	Konveksjonstopp komplett	Convection top complete	Cast Iron min 4mm thickness
99			Konveksjonstopp	Convection top	Cast Iron min 4mm thickness
100	12018891		Luftrist for konveksjonstopp	Air grid	Cast Iron min 4mm thickness
101	12018896		Skål topp	Smoke outlet Bowl	Cast Iron min 4mm thickness
102	50037432		Konveksjon sider komplett	Convection sides complete	Steel
103			Konveksjon side høyre	Convection side right	Steel
104			Konveksjon side venstre	Convection side left	Steel
105	10037454		Glass for konveksjonsside	Side glass for convection side	Ceramic glass 4mm
Tilleggsutstyr					
Optionals					
90	51012329		Deksel for uteluft BP	Cover for outside air BP	Cast Iron min 4mm thickness
90	51044349		Deksel for uteluft BLE	Cover for outside air BLE	Cast Iron min 4mm thickness
90	51044350		Deksel for uteluft WHE	Cover for outside air WHE	Cast Iron min 4mm thickness
91	51012327	92, 93	Klebersten topp komplett	Soap stone top complete	Soap stone
92	10026602		Klebersten topp	Soap stone top	Soap stone
93	10026603		Deksel for røykuttak klebersten	Cocer for smoke outlet soap stone	Steel
97	51043514		Gulvplate stål	Floor plate steel	Steel
-	50036916	-	Skjermpate for klebertopp	Heat Shield Soapstone Top	Steel
106	12044696		Sokkel dør BP	Base Door BP	Cast Iron min 4mm thickness
107	12044704		Sokkel side høyre BP	Base side right BP	Cast Iron min 4mm thickness
108	12044705		Sokkel side venstre BP	Base side left BP	Cast Iron min 4mm thickness
109	12044706		Sokkel bunnplate BP	Base bottom plate BP	Cast Iron min 4mm thickness
110	12044707		Deksel for sokkel hull BP	Base cover for bottom plate BP	Cast Iron min 4mm thickness
111	10038279		Sokkel deksel uteluft BP	Base cover for out air BP	Steel
112	10038502		Hengsel dør	Hinge door	Steel
113	10024339		Skive Ø6,2xØ12x1,8 Messing	Washer Ø6,2xØ12x1,8 Brass	Brass
114	10038419		Høydejusteringskrue M8x30	Hight adjustment screw M8x30	Steel
115	10023838		Fjærneppert	Clips	Steel
116	12044709		Pedestal bunn BP	Pedestal bottom BP	Cast Iron min 4mm thickness
117	12044710		Pedestal deksel BP	Pedestal cover BP	Cast Iron min 4mm thickness
121	10023667		6kt Mutter m/fl M8 Din6923 8	Hex flange Nut M8 DIN6923 8	Nut M8
122	10023549		6kt skr M8x12 DIN933 8,8 Elzn	Hex Cap Screw DIN933 M8x12 8,8 Zinc Plated	Steel
123	12044617		Deksel uteluft bunn F 166 / F 167	Cover outair bottom F 166 / F 167	Cast Iron min 4mm thickness
124	12044685	slipes lakkeres	Toppdeksel Kleber F 164 / F 165	Top Cover Soap Stone F 164 / F 165	Cast Iron min 4mm thickness
125	12044686	slipes bores gjenges lakkeres	Brakett bunn kleber F 164 / F 165	Bracket Bottom F 164 / F 165	Cast Iron min 4mm thickness
126	10023578		Skive Ø10,5xØ25x1,5 Sortkr. Spesial	Washer M10 Ø10,5xØ25x1,5 Nickelpl. Special	Steel
127	10023711		Skrue settM8x20 DIN916	Treadpin M8x20 DIN916	Steel
128	10038290		Brakett midtre kleber F 164 / F 165	Bracket middle Soap Stone F 164 / F 165	Steel
129	10038291		Brakett topp venste kleber F 164 / F165	Bracket top left Soap Stone F 164 / F 165	Steel
130	10038296		Brakett topp høyre kleber F 164 / F 165	Bracket top right Soap Stone F 164 / F 165	Steel

Jøtul F 160 Serien

Jøtul F 162 BP, cat. no. 30023263, Jøtul F 162 C BP, cat. no. 21036887, Jøtul F 163 BP m/sideglass, cat. no. 30023267, Jøtul F 163 C BP, cat. no. 21037453

Jøtul F 163 BLE, cat. no. 30036895, Jøtul F 163 WHE, cat. no. 30036894,

Jøtul F 164 BP, cat. no. 30044115, Jøtul F165 BP, cat no. 30044116, Jøtul F 166 BP, cat. no. 30044528, Jøtul F 167 BP, cat. no. 30044529

BP= Sort lakk/Black Paint, GP= Grå lakk/Grey Paint UP= Ulakkert/Unpainted, BLE= Sort emalje/Black enamel, WHE= Hvit emalje/White enamel

Pos. no.	Spareparts	Consist of pos.no:	Benevnelse	Description	Dim./Spec.
131	10038295		Stål plate bak kleber F 164 / F 165	Steel plate rear Soap Stone F 164 / F 165	Steel
132	10038292		Kleber side sokkel F 164 / F 165	Soap Stone Side Base F 164 / F 165	Soap Stone
133	10038293		Kleber side brennkammer F 164 / F 165	Soap Stone Side Chamber F 164 / F 165	Soap Stone
134	10038294		Kleber topp F 164 / F 165	Soap Stone Top F 164 / F 165	Soap Stone
135	10023712		Skrue sett M8x30 DIN916	Threadpin M8x30 DIN916	M8x30 Threadpin
136	10023665		Skrue sekskant m/fl M8x40 DIN6921 8,8	Hex FI Bolt DIN6921-M8x40-8,8	Bolt M8x40
137	10038337		Skjermplate sokkel F 164 / F 165	Heat shield base F 164 / F 165	Steel
138	10023713		Avstandsstykke M6x40	Distanse Bolt M6x40	Steel
139	10023666		Mutter krave M6	Nut collar M6	Steel
			Ekstraustyr	Optionals	
141	50044633		Gulvplate glass Norden F 166-167	Floor Plate glass Nordic F 166-167	Glass 6mm tempered
141	50044634		Gulvplate glass Tyskland F 166-167	Floor Plate glass Germany F 166-167	Glass 6mm tempered
141	50044635		Gulvplate glass Norden F 164-165	Floor Plate glass Nordic F 164-165	Glass 6mm tempered
141	50044636		Gulvplate glass Tyskland F 164-165	Floor Plate glass germany F 164-165	Glass 6mm tempered
141	51044401		Klebersten kompl F 164-165	Soap Stone compl F 164-165	
151	10044934		BRENNPLATE SETT F 160-F 260	Burn plate Kit F 160 - F260	Vermiculite
152	10023656		SKR SENKH INNV6K M8X30 ST10,9	SKR SENKH INNV6K M8X30 ST10,9	
153	12050671		Fyrbunn F160 MK2 (For komplett, se pos 7)	Inner Bottom F160 MK2 (For complete see pos.7)	Cast Iron min 4mm thickness
154	12050672		Fyrbunnrist F160 MK2	Inner Bottom Grate F160 MK2	Cast Iron min 4mm thickness
155			Topp BP MK2	Top BP MK2	Cast Iron min 4mm thickness
155	12053821		TOPP F 160 MK2 RES BP	Top BLE MK2	Cast Iron min 4mm thickness
155	12051528		TOPP MK2 F 160 WHE	Top WHE MK2	Cast Iron min 4mm thickness
156			Bunn BP MK2 Ny Okt. 2016	Bottom BP MK2 New Oct. 2016	Cast Iron min 4mm thickness
156			Bunn BLE MK2 Ny Okt. 2016	Bottom BLE MK2 New Oct. 2016	Cast Iron min 4mm thickness
156			Bunn WHE MK2 Ny Okt. 2016	Bottom WHE MK2 New Oct. 2016	Cast Iron min 4mm thickness
157	10050695		Aksel lås dør komplett MK2 Produsert Etter Okt. 2016. (For eldre versjon se pos. 31)	Axle lock door complete MK2 Produced after Oct. 2016 (For older versions see pos. 31)	
158	10024413		HYLSE Ø10XØ6,2X10	Sleeve Ø10XØ6,2X10	HYLSE Ø10XØ6,2X10 Steel

900129-P19