

4 Spare parts

When ordering spare parts, specify the **stove type** and **serial number**, including the **colour index** (on the guarantee or identification plate), the **name of the part** and the **part number**.

Example : Multifuel stove “SAVOY MK2”, ref. 134 08 09, colour Y, top plate 352176 EF.

A = 134 08 09 Y ; B = 134 08 09 P ; C = 134 08 09 E : D = 134 08 09 C

N°	Code	Description	Type.	A	B	C	D	Qty
1	100917	Cam pin		A	B	C	D	01
2	100939	Axle		A	B	C	D	03
3	105006	Gasket	Ø 15	A	B	C	D	1,60 m
4	105622	Wall		A	B	C	D	01
5	105623	Wall		A	B	C	D	01
6	105639	Back wall		A	B	C	D	01
7	105625	Wall		A	B	C	D	01
8	134253	Bushing		A	B	C	D	01
9	134758	Pin	4 x 16	A	B	C	D	02
10	142881	Gasket		A	B	C	D	04
11	265602	Knob		A	B	C	D	01
12	166003	Spring	11 x 15	A	B	C	D	01
13	179628	Regulator shaft		A	B	C	D	02
14	181607	Ceramic rope	Ø 9,5	A	B	C	D	2,50 m
15	181632	Gasket	Ø 6	A	B	C	D	1,30 m
16	188881	Ceramic glass	402 x 322 X 4	A	B	C	D	01
17	189103	Screw	27 x 8 x 6	A	B	C	D	02
18	189104	Screw	6 x 22	A	B	C	D	02
19	189825	Screw	M 5 x 6	A	B	C	D	01
20	205362	Back panel		A	B	C	D	01
21	323217	Flue baffle		A	B	C	D	01
22	236138	Reducing plate		A	B	C	D	01
23	237406	Reducing plate		A	B	C	D	01
24	237427	Reducing plate		A	B	C	D	01
25	259015	Fixing plate		A	B	C	D	04
26	262607	Heat shield		A	B	C	D	01
27	270402	Air control flap		A	B	C	D	01
29	300128 EF	Leg		A				04
29	300128 RH	Leg			B			04
29	300128 RP	Leg				C		04
29	300128 MK	Leg					D	04
30	300446 EF	Base		A				01
30	300446 RH	Base			B			01
30	300446 RP	Base				C		01
30	300446 MK	Base					D	01
31	301526 EF	Door lock		A				01
31	301526 RH	Door lock			B			01
31	301526 RP	Door lock				C		01
31	301526 MK	Door lock					D	01
32	303718 EF	Blanking plate		A				01
32	303718 RH	Blanking plate			B			01
32	303718 RP	Blanking plate				C		01
32	303718 MK	Blanking plate					D	01
33	303860 EF	Flue collar		A				01
33	303860 RH	Flue collar			B			01
33	303860 RP	Flue collar				C		01
33	303860 MK	Flue collar					D	01
34	306276 EF	Back wall		A				01
34	306276 RH	Back wall			B			01
34	306276 RP	Back wall				C		01
34	306276 MK	Back wall					D	01
35	307443 EF	Fuel retainer		A	B	C	D	01
36	308711	Coal grate		A	B	C	D	01
37	310739 EF	R. side panel		A				01
37	310739 RH	R. side panel			B			01
37	310739 RP	R. side panel				C		01
37	310739 MK	R. side panel					D	01
38	310834 EF	L. side panel		A				01
38	310834 RH	L. side panel			B			01

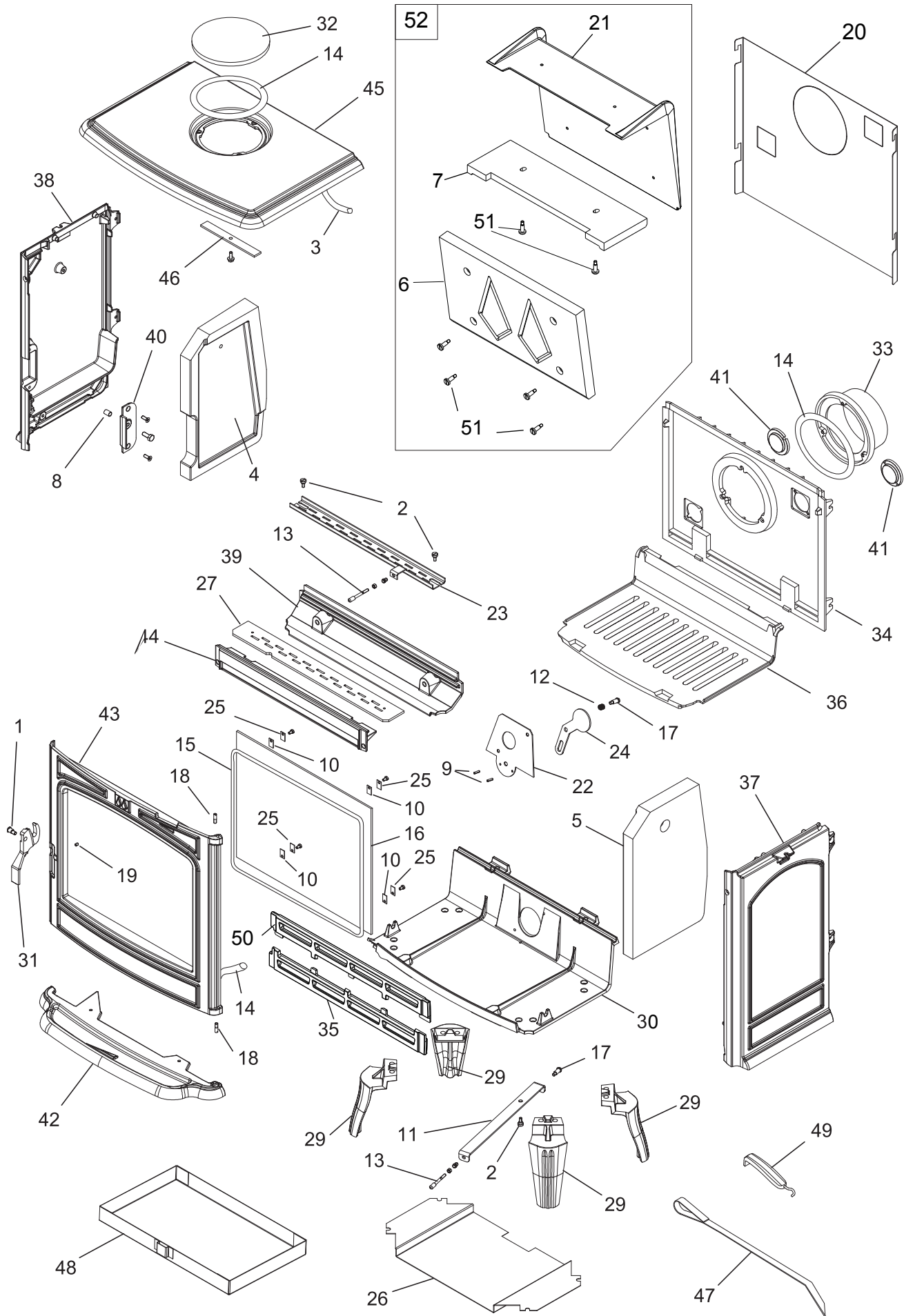


Figure 8 - Spare parts view

A = 134 08 09 Y ; B = 134 08 09 P ; C = 134 08 09 E : D = 134 08 09 C

N°	Code	Description	Type.	A	B	C	D	Qty
38	310834 RP	L. side panel				C		01
38	310834 MK	L. side panel					D	01
39	315615	Air duct		A	B	C	D	01
40	324503 EF	Sealing plate		A	B	C	D	01
41	325304 EF	Reducing plate		A				02
41	325304 RH	Reducing plate			B			02
41	325304 RP	Reducing plate				C		02
41	325304 MK	Reducing plate					D	02
42	327910 EF	Tray		A				01
42	327910 RH	Tray			B			01
42	327910 RP	Tray				C		01
42	327910 MK	Tray					D	01
43	331132 EF	Main door		A				01
43	331132 RH	Main door			B			01
43	331132 RP	Main door				C		01
43	331132 MK	Main door					D	01
44	332004	Air duct		A	B	C	D	01
45	352176 EF	Top plate		A				01
45	352176 RH	Top plate			B			01
45	352176 RP	Top plate				C		01
45	352176 MK	Top plate					D	01
46	406816	Clamp		A	B	C	D	01
47	415504 60	Poker		A	B	C	D	01
48	624042	Ash-pan		A	B	C	D	01
49	808001 ED	Hand tool		A	B	C	D	01
50	307447 EF	Fuel retainer		A	B	C	D	01
51	189137	Screw	6 x 10	A	B	C	D	06
52	909820	Baffle kit		A	B	C	D	01