

4. Spare parts

When ordering spare parts, specify **the stove type** and **serial number**, including the **colour index** (on the guarantee or identification plate), the **name** of the part and the **part number**.

Example : Wood stove “SAVOIE”, ref. 134 08 03, colour Y, top plate 352150 EF.

A = 134 08 03 Y ; B = 134 08 03 J ; C = 134 08 03 L ; D = 134 08 03 D
E = 134 08 03 C ; F = 134 08 03 N ; G = 134 08 03 Q

N°	Code	Description	Type	A	B	C	D	E	F	G	Qty
1	100917	Cam pin	12x20 M7	A	B	C	D	E	F	G	01
2	101809	Bushing		A	B	C	D	E	F	G	02
3	110404	Hinge pin	6x30	A	B	C	D	E	F	G	02
4	134258	Bushing		A	B	C	D	E	F	G	01
5	181632	Adhesive rope		A	B	C	D	E	F	G	1,30 m
6	166003	Spring	11x15	A	B	C	D	E	F	G	01
7	808001 ED	Handle		A	B	C	D	E	F	G	01
8	181607	Ceramic rope	Ø 9,5	A	B	C	D	E	F	G	2,60 m
9	188812	Ceramic glass	379x293	A	B	C	D	E	F	G	01
10	189103	Screw	27x8x6	A	B	C	D	E	F	G	01
11	189825	Screw	M 6x5	A	B	C	D	E	F	G	01
12	205362	Back panel		A	B	C	D	E	F	G	01
13	222556	Flue baffle		A	B	C	D	E	F	G	01
14	237411 60	Reducing plate		A	B	C	D	E	F	G	01
15	259015	Fixing plate		A	B	C	D	E	F	G	04
16	270408	Air control flap		A	B	C	D	E	F	G	01
17	300126 EF	Leg	(180 mm)	A			D				04
17	300125 79	Leg	(180 mm)		B						04
17	300125 77	Leg	(180 mm)			C					04
17	300125 MK	Leg	(180 mm)					E			04
17	300125 EP	Leg	(180 mm)						F		04
17	300125 ER	Leg	(180 mm)							G	04
18	300481 EF	Base		A	B	C	D	E	F	G	01
19	301526 EF	Door lock		A							01
19	301526 79	Door lock			B						01
19	301526 77	Door lock				C					01
19	301526 66	Door lock					D				01
19	301526 MK	Door lock						E			01
19	301526 EP	Door lock							F		01
19	301526 ER	Door lock								G	01
20	301742 EF	Air damper		A			D				01
20	301742 79	Air damper			B						01
20	301742 77	Air damper				C					01
20	301742 MK	Air damper						E			01
20	301742 EP	Air damper							F		01
20	301742 ER	Air damper								G	01
21	303718 EF	Blanking plate		A			D				01
21	303718 79	Blanking plate			B						01
21	303718 77	Blanking plate				C					01
21	303718 MK	Blanking plate						E			01
21	303718 EP	Blanking plate							F		01
21	303718 ER	Blanking plate								G	01
22	303860 EF	Flue collar		A			D				01
22	303860 79	Flue collar			B						01
22	303860 77	Flue collar				C					01
22	303860 MK	Flue collar						E			01
22	303860 EP	Flue collar							F		01
22	303860 ER	Flue collar								G	01
23	305014	Wall		A	B	C	D	E	F	G	01

A = 134 08 03 Y ; B = 134 08 03 J ; C = 134 08 03 L ; D = 134 08 03 D
 E = 134 08 03 C ; F = 134 08 03 N ; G = 134 08 03 Q

N°	Code	Description	Type	A	B	C	D	E	F	G	Qty
24	305213	Wall		A	B	C	D	E	F	G	01
25	306276	EF. Back wall		A	B	C	D	E	F	G	01
26	307434	EF. Fuel retainer		A	B	C	D	E	F	G	01
27	309228	Grate		A	B	C	D	E	F	G	01
28	309891	EF. Front plate		A			D				01
28	309891	79. Front plate			B						01
28	309891	77. Front plate				C					01
28	309891	MK Front plate						E			01
28	309891	EP. Front plate							F		01
28	309891	ER Front plate								G	01
29	310727	EF. R. side panel		A			D				01
29	310727	79. R. side panel			B						01
29	310727	77. R. side panel				C					01
29	310727	MK R. side panel						E			01
29	310727	EP. R. side panel							F		01
29	310727	ER. R. side panel								G	01
30	310824	EF. L. side panel		A			D				01
30	310824	79. L. side panel			B						01
30	310824	77. L. side panel				C					01
30	310824	MK L. side panel						E			01
30	310824	EP. L. side panel							F		01
30	310824	ER L. side panel								G	01
31	315607	Air duct		A	B	C	D	E	F	G	01
32	325304	Reducing plate		A	B	C	D	E	F	G	02
33	327903	EF. Ash pan panel		A			D				01
33	327903	79. Ash pan panel			B						01
33	327903	77. Ash pan panel				C					01
33	327903	MK Ash pan panel						E			01
33	327903	EP. Ash pan panel							F		01
33	327903	ER Ash pan panel								G	01
34	331104	EF. Main door		A							01
34	331104	79. Main door			B						01
34	331104	77. Main door				C					01
34	331104	66. Main door					D				01
34	331104	MK Main door						E			01
34	331104	EP. Main door							F		01
34	331104	ER Main door								G	01
35	352150	EF. Top plate		A			D				01
35	352150	79. Top plate			B						01
35	352150	77. Top plate				C					01
35	352150	MK Top plate						E			01
35	352150	EP. Top plate							F		01
35	352150	ER Top plate								G	01
36	406816	Clamp		A	B	C	D	E	F	G	01
37	624042	Ash-pan		A	B	C	D	E	F	G	01
38	162545	Descriptive plate		A							01
38	162544	Descriptive plate			B	C	D	E	F	G	01
39	415504	60. Poker		A	B	C	D	E	F	G	01
40	101045	Axle		A	B	C	D	E	F	G	01
41	134711	Pin		A	B	C	D	E	F	G	01
42	134749	Pin	4X20	A	B	C	D	E	F	G	01
43	262010	Door heat shield		A	B	C	D	E	F	G	01
44	300991	EF. Door lock		A			D				01
44	300991	79. Door lock			B						01
44	300991	77. Door lock				C					01
44	300991	MK Door lock						E			01

A = 134 08 03 Y ; B = 134 08 03 J ; C = 134 08 03 L ; D = 134 08 03 D
 E = 134 08 03 C ; F = 134 08 03 N ; G = 134 08 03 Q

N°	Code	Description	Type	A	B	C	D	E	F	G	Qty
44	300991	EP. Door lock							F		01
44	300991	ER. Door lock								G	01
45	303514	EF. Door		A			D				01
45	303514	79. Door			B						01
45	303514	77. Door				C					01
45	303514	MK. Door						E			01
45	303514	EP. Door							F		01
45	303514	ER. Door								G	01
46	105006	Ceramic rope	Ø 15.	A	B	C	D	E	F	G	1,60 m
47	134107	Glove		A	B	C	D	E	F	G	01
48	181622	Ceramic rope	Ø 8	A	B	C	D	E	F	G	0,90 m
49	300127	EF. Leg (option)	(140 mm)	A			D				04
50	262607	Heat shield		A	B	C	D	E	F	G	01
51	988867	Complete door		A							01
51	988878	Complete door			B						01
51	988879	Complete door				C					01
51	988890	Complete door					D				01
51	988917	Complete door						E			01
51	988891	Complete door							F		01
51	988991	Complete door								G	01
52	142881	Rope		A	B	C	D	E	F	G	04

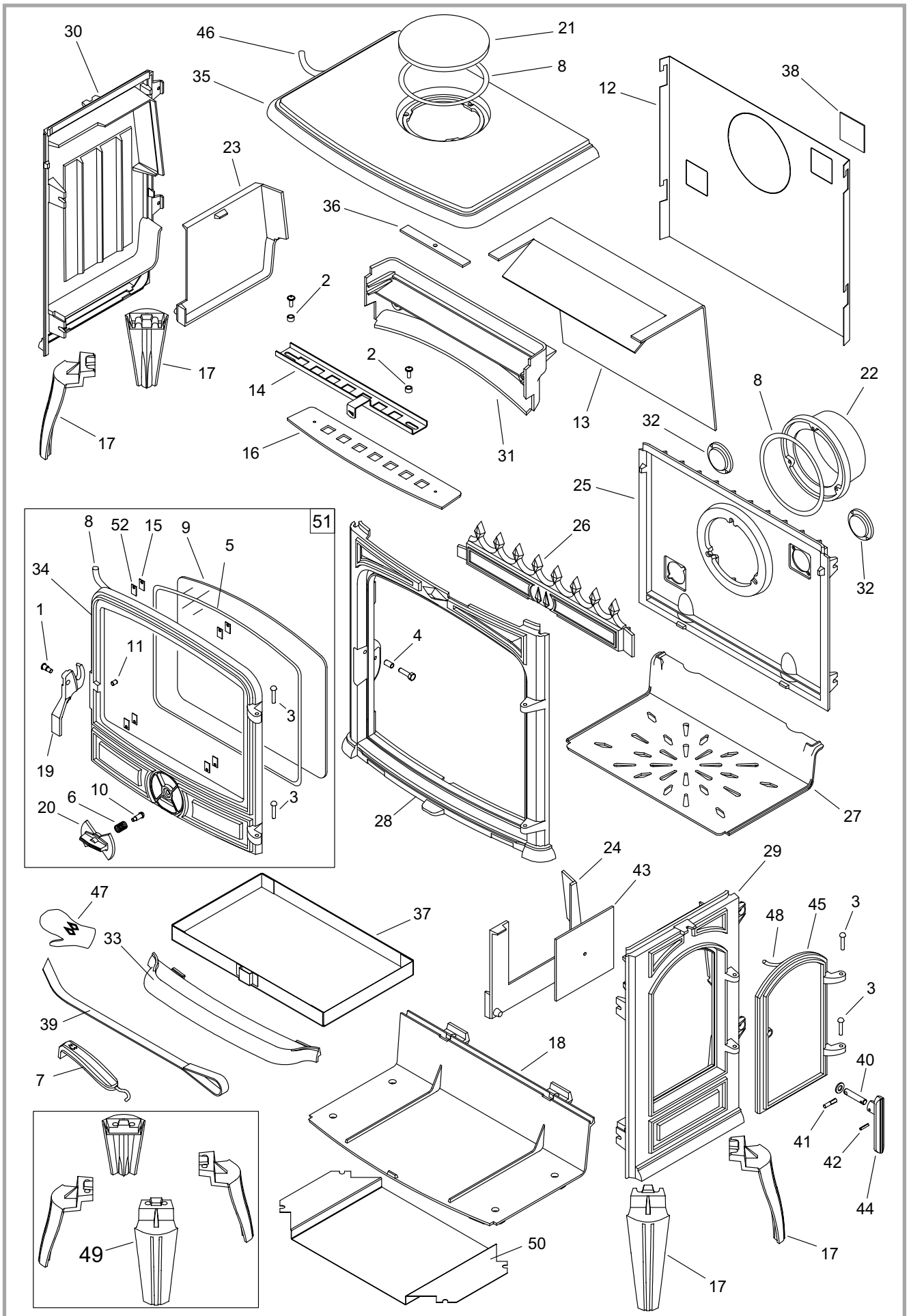


Figure 10 - Spare parts view