

4. Spare parts

When ordering spare parts, specify the stove **type** and **serial number**, including the **colour** index (on the guarantee or identification plate), the **name of the part** and the **part number**.

Example : Wood stove "**Montfort MK2**", ref. 134 05 02 color **C**, top plate **352168 MK**

A = 134 05 02 **Y** ; **B** = 134 05 02 **L** ; **C** = 134 05 02 **B** ; **D** = 134 05 02 **E** ; **E** = 134 05 02 **P** ; **F** = 134 05 02 **C**

N°	Code	Désignation	Type	A	B	C	D	E	F	Qté
1	100939	Axle		A	B	C	D	E	F	03
2	105636	Firebrick		A	B	C	D	E	F	01
3	105637	Firebrick		A	B	C	D	E	F	02
4	134253	Bushing		A	B	C	D	E	F	01
5	142881	Gasket		A	B	C	D	E	F	04
6	142900	Gasket		A	B	C	D	E	F	02
7	142901	Gasket		A	B	C	D	E	F	01
8	181614	Ceramic rope	Ø 9,5	A	B	C	D	E	F	2,82
9	181632	Gasket	Ø 6	A	B	C	D	E	F	2,90
10	188900	Refractory glass		A	B	C	D	E	F	01
11	189104	Screw	6x22	A	B	C	D	E	F	02
12	202707	Regulator bracket		A	B	C	D	E	F	01
13	105638	Firebrick		A	B	C	D	E	F	01
14	209922	Protector		A	B	C	D	E	F	01
15	221200	Striking plate		A	B	C	D	E	F	02
16	222584	Flue baffle		A	B	C	D	E	F	01
17	222621	Flue baffle		A	B	C	D	E	F	01
18	222622	Suppl. flue baffle		A	B	C	D	E	F	01
19	224059	Ash-pan		A	B	C	D	E	F	01
20	237421	Reducing plate		A	B	C	D	E	F	01
21	259015	Fixing plate		A	B	C	D	E	F	04
22	262612	Heat shield		A	B	C	D	E	F	01
23	265607	Knob		A	B	C	D	E	F	01
24	270412	Air control flap		A	B	C	D	E	F	01
25	300118 EF	Leg		A						04
25	300118 77	Leg			B					04
25	300118 RJ	Leg				C				04
25	300118 RP	Leg					D			04
25	300118 RH	Leg						E		04
25	300118 MK	Leg							F	04
26	300493 EF	Base		A	B	C	D	E	F	01
27	301540 EF	Door lock		A						01
27	301540 77	Door lock			B					01
27	301540 RJ	Door lock				C				01
27	301540 RP	Door lock					D			01
27	301540 RH	Door lock						E		01
27	301540 MK	Door lock							F	01
28	303718 EF	Blanking plate		A						01
28	303718 77	Blanking plate			B					01
28	303718 RJ	Blanking plate				C				01
28	303718 RP	Blanking plate					D			01
28	303718 RH	Blanking plate						E		01
28	303718 MK	Blanking plate							F	01
30	303860 EF	Flue collar		A						01
30	303860 77	Flue collar			B					01
30	303860 RJ	Flue collar				C				01
30	303860 RP	Flue collar					D			01
30	303860 RH	Flue collar						E		01
30	303860 MK	Flue collar							F	01
31	306284 EF	Back wall		A	B	C	D	E	F	01
32	307445 EF	Fuel retainer		A	B	C	D	E	F	02
33	309236 EF	Grate		A	B	C	D	E	F	01
34	310741 EF	R. side panel		A						01
34	310741 77	R. side panel			B					01
34	310741 RJ	R. side panel				C				01
34	310741 RP	R. side panel					D			01
34	310741 RH	R. side panel						E		01
34	310741 MK	R. side panel							F	01
35	310836 EF	L. side panel		A						01
35	310836 77	L. side panel			B					01
35	310836 RJ	L. side panel				C				01
35	310836 RP	L. side panel					D			01
35	310836 RH	L. side panel						E		01
35	310836 MK	L. side panel							F	01

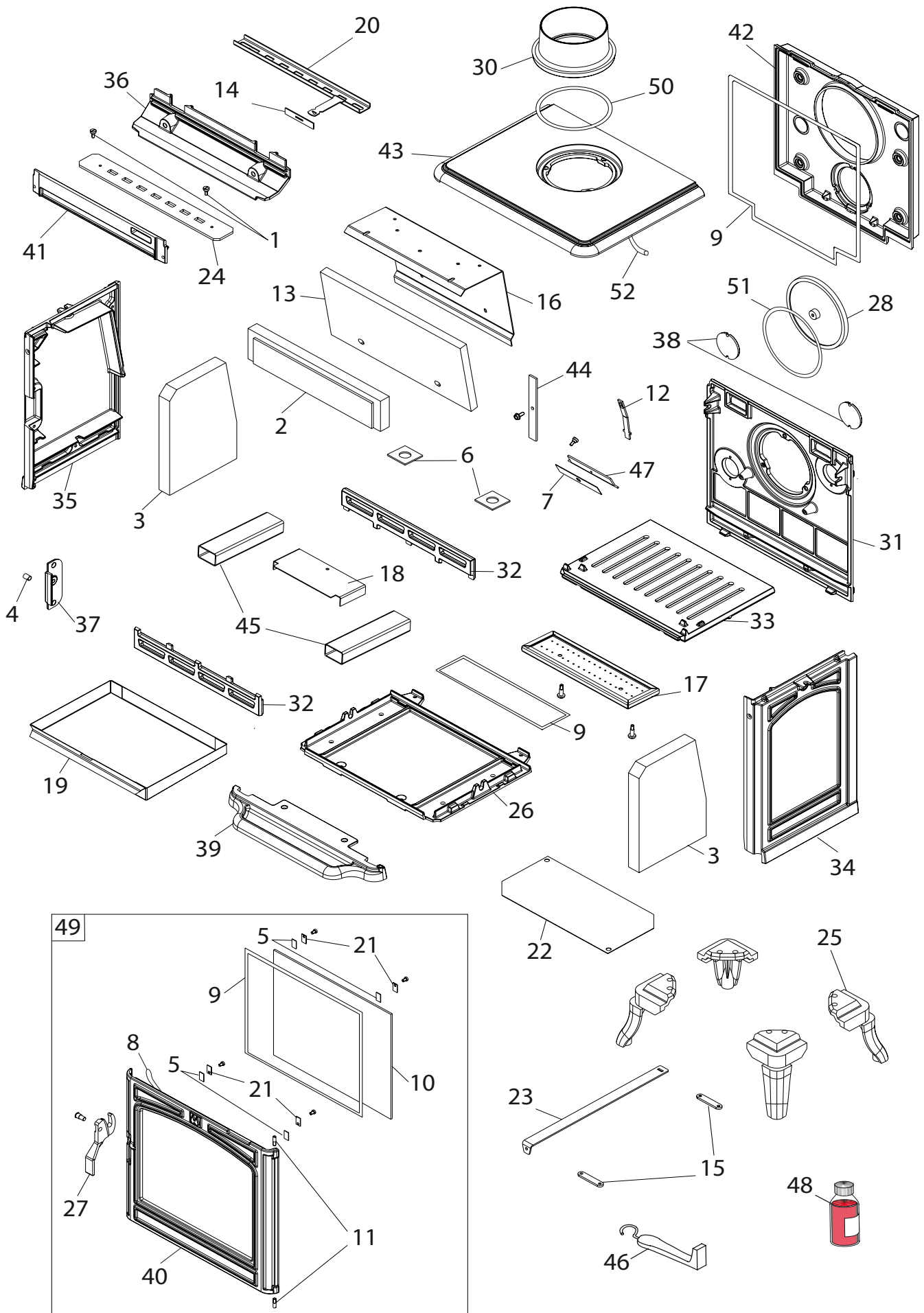


Figure 8 - Stove - exploded view

A = 134 05 02 Y ; B = 134 05 02 L ; C = 134 05 02 B ; D = 134 05 02 E ; E = 134 05 02 P ; F = 134 05 02 C

N°	Code	Désignation	Type	A	B	C	D	E	F	Qté
36	315617	Air duct		A	B	C	D	E	F	01
37	324503 EF	Sealing plate		A	B	C	D	E	F	01
38	325304 EF	Reducing plate		A	B	C	D	E	F	02
39	327906 EF	Ash pan guide		A						01
39	327906 77	Ash pan guide			B					01
39	327906 RJ	Ash pan guide				C				01
39	327906 RP	Ash pan guide					D			01
39	327906 RH	Ash pan guide						E		01
39	327906 MK	Ash pan guide							F	01
40	331134 EF	Main door		A						01
40	331134 77	Main door			B					01
40	331134 RJ	Main door				C				01
40	331134 RP	Main door					D			01
40	331134 RH	Main door						E		01
40	331134 MK	Main door							F	01
41	332006 EF	Main door		A	B	C	D	E	F	01
42	332402	Supplementary plate		A	B	C	D	E	F	01
43	352168 EF	Top plate		A						01
43	352168 77	Top plate			B					01
43	352168 RJ	Top plate				C				01
43	352168 RP	Top plate					D			01
43	352168 RH	Top plate						E		01
43	352168 MK	Top plate							F	01
44	406816	Clamp		A	B	C	D	E	F	01
45	616122	Circulation duct		A	B	C	D	E	F	02
46	808001 ED	Hand tool		A	B	C	D	E	F	01
47	870400	Sliding door		A	B	C	D	E	F	01
48	161025	Touch-up paint(L)			B					01
48	161047	Touch-up paint(B)				C				01
48	161061	Touch-up paint(E)					D			01
48	161060	Touch-up paint(P)						E		01
48	161059	Touch-up paint(C)							F	01
49	989023	Complete door		A						01
49	989024	Complete door			B					01
49	989025	Complete door				C				01
49	989026	Complete door					D			01
49	989027	Complete door						E		01
49	989028	Complete door							F	01
50	181602	Gasket	Ø 8	A	B	C	D	E	F	0,52 m
51	181633	Gasket	Ø 10	A	B	C	D	E	F	0,52 m
52	181634	Gasket	Ø 15	A	B	C	D	E	F	1,70 m