

4. Spare parts

When ordering spare parts, specify the stove type and serial number, including the colour index (on the guarantee or identification plate), the name of the part and the part number.

Example :
 - Wood stove MONTFORT,
 - réf. 134 06 01 C,
 - Top plate 352168 MK.

Y = 1340601 Y ; J = 1340601 J ; L = 1340601 L ; C = 1340601 C ; I = 1340601 I

N°	Code	Designation.	Type	Y	J	L	C	I	Qty
1	303860	MK Flue collar					C		01
1	303860	MP Flue collar						I	01
1	303860	00 Flue collar		Y					01
1	303860	77 Flue collar				L			01
1	303860	79 Flue collar			J				01
2	352168	MK Top plate					C		01
2	352168	MP Top plate						I	01
2	352168	00 Top plate		Y					01
2	352168	77 Top plate				L			01
2	352168	79 Top plate			J				01
3	237419	00 Reducing plate		Y	J	L	C	I	01
4	315611	00 Air duct		Y	J	L	C	I	01
5	270412	00 Air control flap		Y	J	L	C	I	01
6	332001	00 SUPPL CONDUIT		Y	J	L	C	I	01
7	310831	MK L. side panel					C		01
7	310831	MP L. side panel						I	01
7	310831	00 L. side panel		Y					01
7	310831	77 L. side panel				L			01
7	310831	79 L. side panel			J				01
8	222568	00 Flue baffle		Y	J	L	C	I	01
9	105274	Firebrick		Y	J	L	C	I	02
10	324503	00 Sealing plate		Y	J	L	C	I	01
11	301901	00 Oscillating grate		Y	J	L	C	I	01
12	207316	00 Back panel		Y	J	L	C	I	01
13	303718	MK Blanking plate					C		01
13	303718	MP Blanking plate						I	01
13	303718	00 Blanking plate		Y					01
13	303718	77 Blanking plate				L			01
13	303718	79 Blanking plate			J				01
14	306286	00 Back wall		Y	J	L	C	I	01
15	325304	00 Reducing plate		Y	J	L	C	I	02
16	406816	00 Clamp		Y	J	L	C	I	01
17	105273	Firebrick		Y	J	L	C	I	01
18	319739	00 Grate support		Y	J	L	C	I	01
19	458404	00 Rod		Y	J	L	C	I	01
20	300493	00 Base		Y	J	L	C	I	01
21	310735	MK R. side panel					C		01
21	310735	MP R. side panel						I	01
21	310735	00 R. side panel		Y					01
21	310735	77 R. side panel				L			01
21	310735	79 R. side panel			J				01
22	327906	MK Tray					C		01
22	327906	MP Tray						I	01
22	327906	00 Tray		Y					01
22	327906	77 Tray				L			01

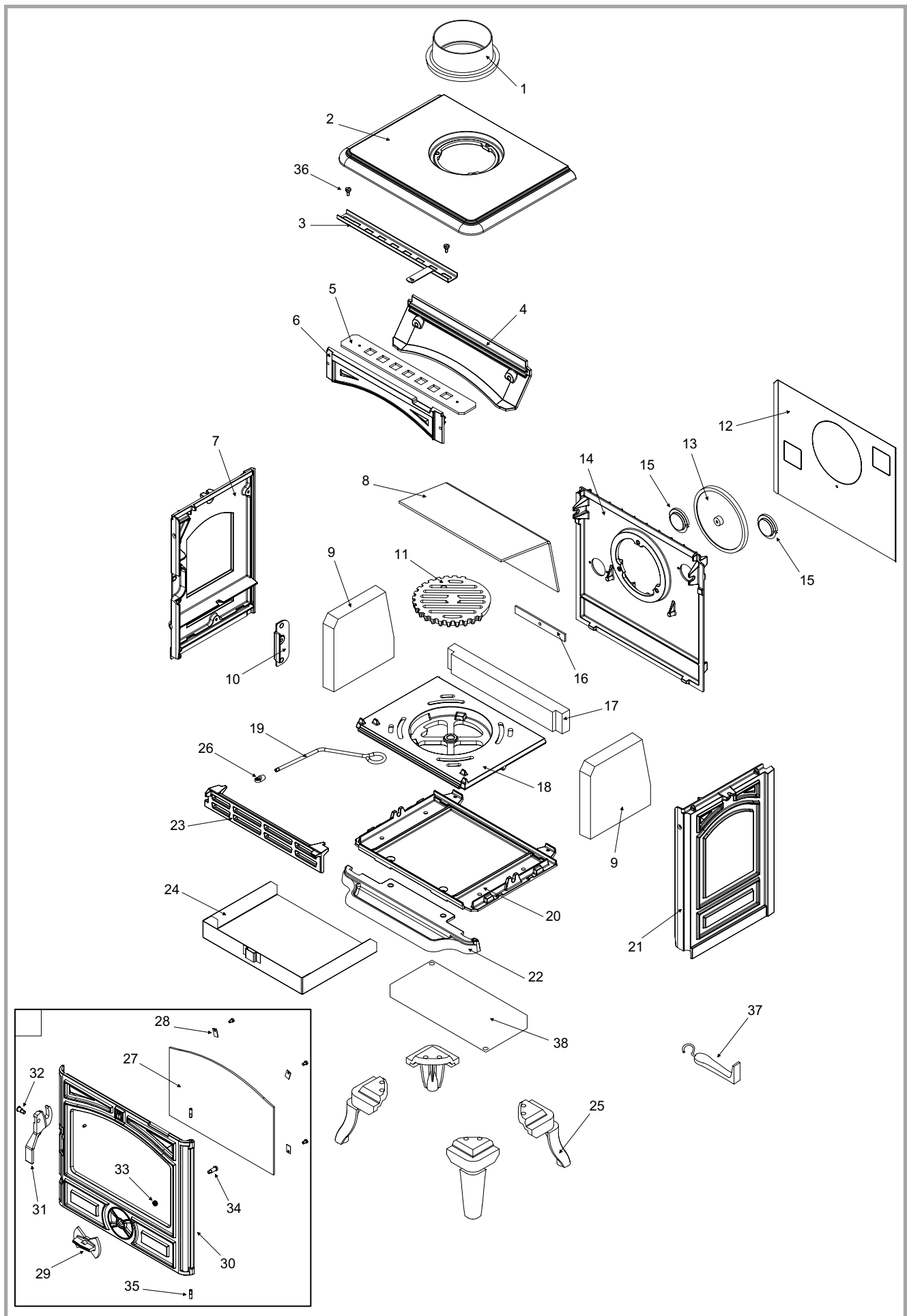


Figure 10 - Vue éclatée de l'appareil

N°	Code	Designation.	Type	Y	J	L	C	I	Qty
22	327906	79	Tray		J				01
23	307439	00	Fuel retainer	Y	J	L	C	I	01
24	624046	00	Ash-pan	Y	J	L	C	I	01
25	300118	MK	Leg.				C		04
25	300118	MP	Leg					I	04
25	300118	00	Leg	Y					04
25	300118	77	Leg.			L			04
25	300118	79	Leg		J				04
26	105123		Knob	Y	J	L	C	I	01
27	188830		Ceramic glass	Y	J	L	C	I	01
28	259015	00	Fixing plate.	Y	J	L	C	I	04
29	301742	MK	Air damper.				C		01
29	301742	MP	Air damper					I	01
29	301742	00	Air damper	Y					01
29	301742	77	Air damper			L			01
29	301742	79	Air damper		J				01
30	331118	MK	Main door				C		01
30	331118	MP	Main door.					I	01
30	331118	00	Main door	Y					01
30	331118	77	Main door			L			01
30	331118	79	Main door		J				01
31	301526	MK	Door lock				C		01
31	301526	MP	Door lock					I	01
31	301526	00	Door lock.	Y					01
31	301526	77	Door lock			L			01
31	301526	79	Door lock		J				01
32	100917		Cam pin	Y	J	L	C	I	01
33	166003		Spring	Y	J	L	C	I	01
34	189103		Screw	Y	J	L	C	I	01
35	189104		Screw.	Y	J	L	C	I	02
36	100939		Axle	Y	J	L	C	I	02
37	808001	ED	Hand tool.	Y	J	L	C	I	01
38	262612		Heat shield.	Y	J	L	C	I	01