

## 4. Spare parts

When ordering spare parts, specify the stove type and serial number, including the colour index (on the guarantee or identification plate), the name of the part and the part number.

Example : Wood stove MONTFORT, ref. 134 05 01 C, Top plate 352168 MK.

**A = 1340501 Y ; B = 1340501 J ; C = 1340501 L ; D = 1340501 C**  
**E = 1340501 I ; F = 1340501 P ; G = 1340501 E**

N°	Code	Designation	Type	A	B	C	D	E	F	G	Qty
1	100917	Cam pin	12x20 M7	A	B	C	D	E	F	G	01
2	100939	Axle		A	B	C	D	E	F	G	02
3	105123	Knob		A	B	C	D	E	F	G	01
4	105273	Firebrick		A	B	C	D	E	F	G	01
5	105274	Firebrick		A	B	C	D	E	F	G	02
6	134253	Bushing		A	B	C	D	E	F	G	01
7	142881	Gasket		A	B	C	D	E	F	G	04
8	166003	Spring	11x15	A	B	C	D	E	F	G	01
9	181632	Gasket	Ø 6	A	B	C	D	E	F	G	1,05 m
10	181633	Gasket	d, 10	A	B	C	D	E	F	G	2,82 m
11	181634	Gasket	d, 15	A	B	C	D	E	F	G	1,36 m
12	188830	Ceramic glass		A	B	C	D	E	F	G	01
13	189103	Screw	27x8x6	A	B	C	D	E	F	G	01
14	189104	Screw	6x22	A	B	C	D	E	F	G	02
15	207316	00 Back panel		A	B	C	D	E	F	G	01
16	222568	00 Flue baffle		A	B	C	D	E	F	G	01
17	237421	00 Reducing plate		A	B	C	D	E	F	G	01
18	259015	00 Fixing plate		A	B	C	D	E	F	G	04
19	262612	00 Heat shield		A	B	C	D	E	F	G	01
20	270412	00 Air control flap		A	B	C	D	E	F	G	01
21	300118	MK Leg					D				04
21	300118	MP Leg						E			04
21	300118	RH Leg							F		04
21	300118	RP Leg								G	04
21	300118	EF Leg		A							04
21	300118	77 Leg				C					04
21	300118	79 Leg			B						04
22	300493	00 Base		A	B	C	D	E	F	G	01
23	301526	MK Door lock					D				01
23	301526	MP Door lock						E			01
23	301526	RH Door lock							F		01
23	301526	RP Door lock								G	01
23	301526	EF Door lock		A							01
23	301526	77 Door lock				C					01
23	301526	79 Door lock			B						01
24	301742	MK Air damper					D				01
24	301742	MP Air damper						E			01
24	301742	RH Air damper							F		01
24	301742	RP Air damper								G	01
24	301742	EF Air damper		A							01
24	301742	77 Air damper				C					01
24	301742	79 Air damper			B						01
25	301901	00 Oscillating grate		A	B	C	D	E	F	G	01
26	303718	MK Blanking plate					D				01
26	303718	MP Blanking plate						E			01
26	303718	RH Blanking plate							F		01
26	303718	RP Blanking plate								G	01
26	303718	EF Blanking plate		A							01
26	303718	77 Blanking plate				C					01
26	303718	79 Blanking plate			B						01

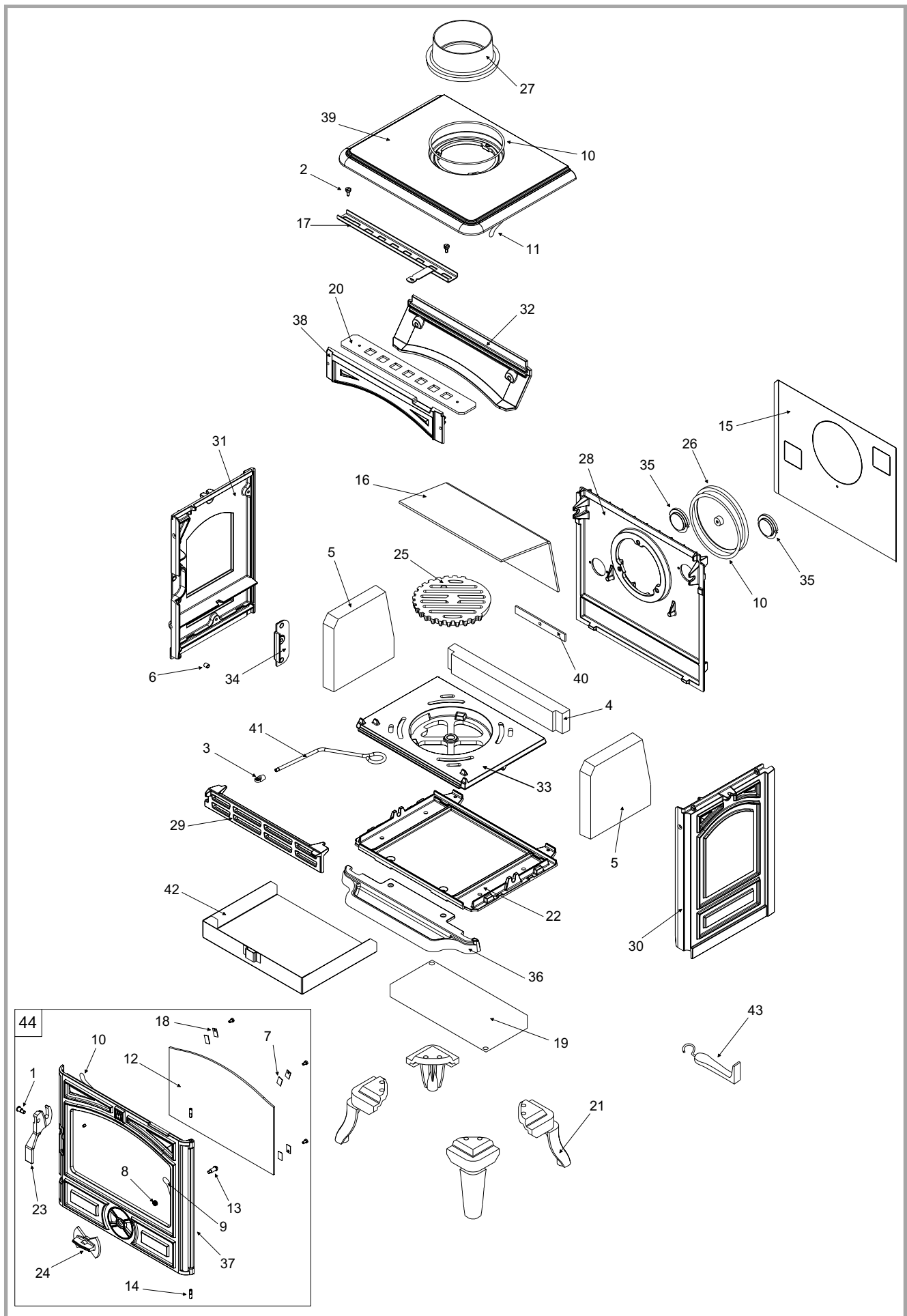


Figure 10 - Vue éclatée de l'appareil

N°	Code	Designation	Type	A	B	C	D	E	F	G	Qty
27	303860	MK	Flue collar				D				01
27	303860	MP	Flue collar					E			01
27	303860	RH	Flue collar						F		01
27	303860	RP	Flue collar							G	01
27	303860	EF	Flue collar	A							01
27	303860	77	Flue collar			C					01
27	303860	79	Flue collar		B						01
28	306286	EF	Back wall	A	B	C	D	E	F	G	01
29	307439	EF	Fuel retainer	A	B	C	D	E	F	G	01
30	310735	MK	R. side panel				D				01
30	310735	MP	R. side panel					E			01
30	310735	RH	R. side panel						F		01
30	310735	RP	R. side panel							G	01
30	310735	EF	R. side panel	A							01
30	310735	77	R. side panel			C					01
30	310735	79	R. side panel		B						01
31	310831	MK	L. side panel				D				01
31	310831	MP	L. side panel					E			01
31	310831	RH	L. side panel						F		01
31	310831	RP	L. side panel							G	01
31	310831	EF	L. side panel	A							01
31	310831	77	L. side panel			C					01
31	310831	79	L. side panel		B						01
32	315611	EF	Air duct	A	B	C	D	E	F	G	01
33	319739	00	Grate support	A	B	C	D	E	F	G	01
34	324503	00	Sealing plate	A	B	C	D	E	F	G	01
35	325304	EF	Reducing plate	A	B	C	D	E	F	G	02
36	327906	MK	Ash pan guide				D				01
36	327906	MP	Ash pan guide					E			01
36	327906	RH	Ash pan guide						F		01
36	327906	RP	Ash pan guide							G	01
36	327906	EF	Ash pan guide	A							01
36	327906	77	Ash pan guide			C					01
36	327906	79	Ash pan guide		B						01
37	331118	MK	Main door				D				01
37	331118	MP	Main door					E			01
37	331118	RH	Main door						F		01
37	331118	RP	Main door							G	01
37	331118	EF	Main door	A							01
37	331118	77	Main door			C					01
37	331118	79	Main door		B						01
38	332001	EF	Air duct	A	B	C	D	E	F	G	01
39	352168	MK	Top plate				D				01
39	352168	MP	Top plate					E			01
39	352168	RH	Top plate						F		01
39	352168	RP	Top plate							G	01
39	352168	EF	Top plate	A							01
39	352168	77	Top plate			C					01
39	352168	79	Top plate		B						01
40	406816	00	Clamp	A	B	C	D	E	F	G	01
41	458404	00	Rod	A	B	C	D	E	F	G	01
42	624046	00	Ash pan	A	B	C	D	E	F	G	01
43	808001	ED	Hand tool	A	B	C	D	E	F	G	01
44	988901		Complete door				D				01
44	988902		Complete door					E			01
44	988898		Complete door	A							01
44	988900		Complete door			C					01
44	988899		Complete door		B						01
44	988903		Complete door						F		01
44	988856		Complete door							G	01