

## 4 Spare parts

When ordering spare parts, specify the **stove type** and **serial number**, including the **colour index** (on the guarantee or identification plate), the **name of the part** and the **part number**.

**Example** : Wood stove “MONACO”, Model **134 08 12**, the colour index **Y**, Main door **331116 EF**

**A** = 134 08 12 Y ; **B** = 134 08 12 L ; **C** = 134 08 12 J ; **D** = 134 08 12 E ; **E** = 134 08 12 P

N°.	Code	Description	Type	A	B	C	D	E	Qty
1.	100917	Cam pin	12x20 M7	A	B	C	D	E	01
2.	101067	Cam pin		A	B	C	D	E	01
3.	102042	Firebrick		A	B	C	D	E	02
4.	102044	Firebrick		A	B	C	D	E	02
5.	105006	Gasket		A	B	C	D	E	1,65 m
6.	109786	Andiron		A	B	C	D	E	02
7.	134253	Bushing		A	B	C	D	E	01
8.	134758	Pin	4 x16	A	B	C	D	E	01
9.	142881	Gasket		A	B	C	D	E	02
10.	158637	Handle		A	B	C	D	E	01
11.	161025	Touch-up paint	(P)		B				01
11.	161027	Touch-up paint	(L)			C			01
11.	161060	Touch-up paint	(J)					E	01
11.	161061	Touch-up paint	(E)				D		01
12.	142899	Gasket		A	B	C	D	E	01
13.	231304	Square		A	B	C	D	E	01
14.	181614	Ceramic rope	Ø 9,5	A	B	C	D	E	1,04 m
15.	181632	Gasket	Ø 6	A	B	C	D	E	1,35 m
16.	181633	Gasket	Ø 10	A	B	C	D	E	1,58 m
17.	188858	Ceramic glass	425 X 253	A	B	C	D	E	01
18.	189104	Screw	6x22	A	B	C	D	E	02
19.	207309	Back panel		A	B	C	D	E	01
20.	100939	Axle		A	B	C	D	E	02
21.	216129	Circulation duct		A	B	C	D	E	02
22.	224022	Ash-pan		A	B	C	D	E	01
23.	228624	Square		A	B	C	D	E	01
24.	237406	Reducing plate		A	B	C	D	E	01
25.	270417	Air control flap		A	B	C	D	E	01
27.	259015	Fixing plate		A	B	C	D	E	02
28.	262614	Heat shield		A	B	C	D	E	01
29.	265606	Knob		A	B	C	D	E	01
30.	270402	Air control flap		A	B	C	D	E	01
31.	300136	RH Leg						E	04
31.	300136	RP Leg					D		04
31.	300136	EF Leg		A					04
31.	300136	77. Leg			B				04
31.	300136	79. Leg				C			04
32.	300432	EF Base		A	B	C	D	E	01
33.	301537	RH Door lock						E	01
33.	301537	RP Door lock					D		01
33.	301537	EF Door lock		A					01
33.	301537	77. Door lock			B				01
33.	301537	79. Door lock				C			01
34.	303718	RH Blanking plate						E	01
34.	303718	RP Blanking plate					D		01

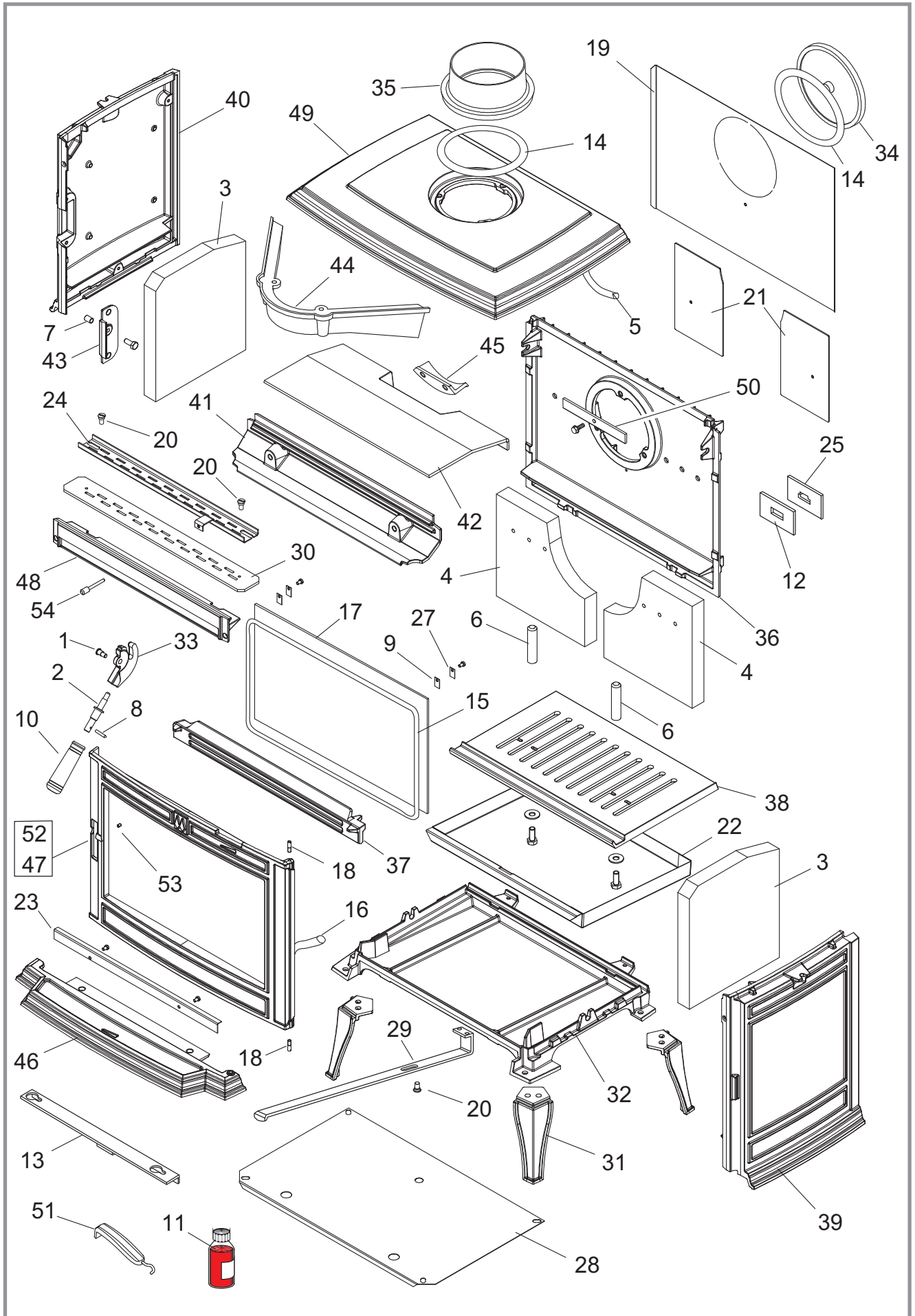


Figure 8 - Spare parts view

A = 134 08 12 Y ; B = 134 08 12 L ; C = 134 08 12 J ; D = 134 08 12 E ; E = 134 08 12 P

N°	Code	Description	A	B	C	D	E	Qty
34	303718	EF Blanking plate	A					01
34	303718	77. Blanking plate		B				01
34	303718	79. Blanking plate			C			01
35	303860	RH Flue collar					E	01
35	303860	RP Flue collar				D		01
35	303860	EF Flue collar	A					01
35	303860	77. Flue collar		B				01
35	303860	79. Flue collar			C			01
36	306295	EF Back wall	A	B	C	D	E	01
37	307444	EF Fuel retainer	A	B	C	D	E	01
38	309232	EF Wood grate	A	B	C	D	E	01
39	310733	RH R. side panel					E	01
39	310733	RP R. side panel				D		01
39	310733	EF R. side panel	A					01
39	310733	77. R. side panel		B				01
39	310733	79. R. side panel			C			01
40	310833	RH L. side panel					E	01
40	310833	RP L. side panel				D		01
40	310833	EF L. side panel	A					01
40	310833	77. L. side panel		B				01
40	310833	79. L. side panel			C			01
41	315615	.. Air duct	A	B	C	D	E	01
42	323209	.. Flue baffle	A	B	C	D	E	01
43	324503	EF Sealing plate	A	B	C	D	E	01
44	326601	.. Suppl. flue baffle	A	B	C	D	E	01
45	326605	.. Suppl. flue baffle	A	B	C	D	E	01
46	327909	RH Ash pan guide					E	01
46	327909	RP Ash pan guide				D		01
46	327909	EF Ash pan guide	A					01
46	327909	77. Ash pan guide		B				01
46	327909	79. Ash pan guide			C			01
47	331116	RH Main door					E	01
47	331116	RP Main door				D		01
47	331116	EF Main door	A					01
47	331116	77. Main door		B				01
47	331116	79. Main door			C			01
48	332004	.. Air duct	A	B	C	D	E	01
49	352175	RH Top plate					E	01
49	352175	RP Top plate				D		01
49	352175	EF Top plate	A					01
49	352175	77. Top plate		B				01
49	352175	79. Top plate			C			01
50	406816	.. Clamp	A	B	C	D	E	01
51	808001	ED Hand tool	A	B	C	D	E	01
52	989009	.. Complete door	A					01
52	989011	.. Complete door		B				01
52	989013	.. Complete door			C			01
52	989012	.. Complete door				D		01
52	989010	.. Complete door					E	01
53	189825	.. Screw	A	B	C	D	E	01
54	179628	.. Regulator shaft	A	B	C	D	E	01