

4. Spare parts

When ordering spare parts, specify the stove **type** and **serial number**, including the **colour** index (on the guarantee or identification plate), the **name of the part** and the **part number**.

Example : Wood stove "**Monaco**", ref. 134 06 05 color **P**, top plate **352175 RH**

Y = 1340605 Y ; **P** = 1340605 P ; **L** = 1340605 L ; **E** = 1340605 E ; **J** = 1340605 J

N°	Code	Description	Type	Y	P	L	E	J	Qty
1	100917	Axle.....	12x20 M7.....	Y.....	P.....	L.....	E.....	J.....	1
2	100939	Axle.....	Y.....	P.....	L.....	E.....	J.....	3
3	100964	Axle.....	Y.....	P.....	L.....	E.....	J.....	2
4	101067	Axle.....	Y.....	P.....	L.....	E.....	J.....	1
5	102042	Firebrick.....	Y.....	P.....	L.....	E.....	J.....	2
6	102044	Firebrick.....	Y.....	P.....	L.....	E.....	J.....	2
7	105006	Gasket.....	Y.....	P.....	L.....	E.....	J.....	1,65 m
8	134758	Pin.....	4x16.....	Y.....	P.....	L.....	E.....	J.....	1
9	142881	Gasket.....	Y.....	P.....	L.....	E.....	J.....	2
10	158637	Handle.....	Y.....	P.....	L.....	E.....	J.....	1
11	179628	Regulator shaft.....	Y.....	P.....	L.....	E.....	J.....	2
12	181614	Gasket.....	Y.....	P.....	L.....	E.....	J.....	1,04 m
13	181632	Gasket.....	Y.....	P.....	L.....	E.....	J.....	1,35 m
14	181633	Gasket.....	Y.....	P.....	L.....	E.....	J.....	1,58 m
15	188858	Ceramic glass.....	Y.....	P.....	L.....	E.....	J.....	1
16	189104	Screw.....	Y.....	P.....	L.....	E.....	J.....	2
17	204209 00	Supplementary plate.....	Y.....	P.....	L.....	E.....	J.....	1
18	224022 00	Ash-pan.....	Y.....	P.....	L.....	E.....	J.....	1
19	228624 00	Square.....	Y.....	P.....	L.....	E.....	J.....	1
20	231304 00	Square.....	Y.....	P.....	L.....	E.....	J.....	1
21	237430 00	Reducing plate.....	Y.....	P.....	L.....	E.....	J.....	1
22	259015 00	Fixing plate.....	Y.....	P.....	L.....	E.....	J.....	2
23	262614 00	Heat shield.....	Y.....	P.....	L.....	E.....	J.....	1
24	265606 00	Knob.....	Y.....	P.....	L.....	E.....	J.....	1
25	265608 00	Knob.....	Y.....	P.....	L.....	E.....	J.....	1
26	270402 00	Air control flap.....	Y.....	P.....	L.....	E.....	J.....	1
27	270417 00	Air control flap.....	Y.....	P.....	L.....	E.....	J.....	1
28	300136 RH	Leg.....	P.....	4
28	300136 RP	Leg.....	E.....	4
28	300136 77	Leg.....	L.....	4
28	300136 79	Leg.....	J.....	4
28	300136 EF	Leg.....	Y.....	4
29	300432 EF	Base.....	Y.....	P.....	L.....	E.....	J.....	1
30	301537 71	Door lock.....	Y.....	P.....	L.....	E.....	J.....	1
31	303718 RH	Blanking plate.....	P.....	1
31	303718 RP	Blanking plate.....	E.....	1
31	303718 77	Blanking plate.....	L.....	1
31	303718 79	Blanking plate.....	J.....	1
31	303718 EF	Blanking plate.....	Y.....	1
32	303860 RH	Flue collar.....	P.....	1
32	303860 RP	Flue collar.....	E.....	1
32	303860 77	Flue collar.....	L.....	1
32	303860 79	Flue collar.....	J.....	1
32	303860 EF	Flue collar.....	Y.....	1
33	306296 EF	Back wall.....	Y.....	P.....	L.....	E.....	J.....	1
34	307424 EF	Full retainer.....	Y.....	P.....	L.....	E.....	J.....	1
35	309232	Wood grate.....	Y.....	P.....	L.....	E.....	J.....	1
36	310733 RH	Side panel.....	P.....	1
36	310733 RP	Side panel.....	E.....	1
36	310733 77	Side panel.....	L.....	1
36	310733 79	Side panel.....	J.....	1
36	310733 EF	Side panel.....	Y.....	1
37	310833 RH	Side panel.....	P.....	1
37	310833 RP	Side panel.....	E.....	1
37	310833 77	Side panel.....	L.....	1
37	310833 79	Side panel.....	J.....	1
37	310833 EF	Side panel.....	Y.....	1
38	315615	Air duct.....	Y.....	P.....	L.....	E.....	J.....	1
39	323209	Flue baffle.....	Y.....	P.....	L.....	E.....	J.....	1
40	324503	Sealing plate.....	Y.....	P.....	L.....	E.....	J.....	1
41	326605	Suppl. flue baffle.....	Y.....	P.....	L.....	E.....	J.....	1
42	327909 RH	Ash pan guide.....	P.....	1
42	327909 RP	Ash pan guide.....	E.....	1
42	327909 77	Ash pan guide.....	L.....	1

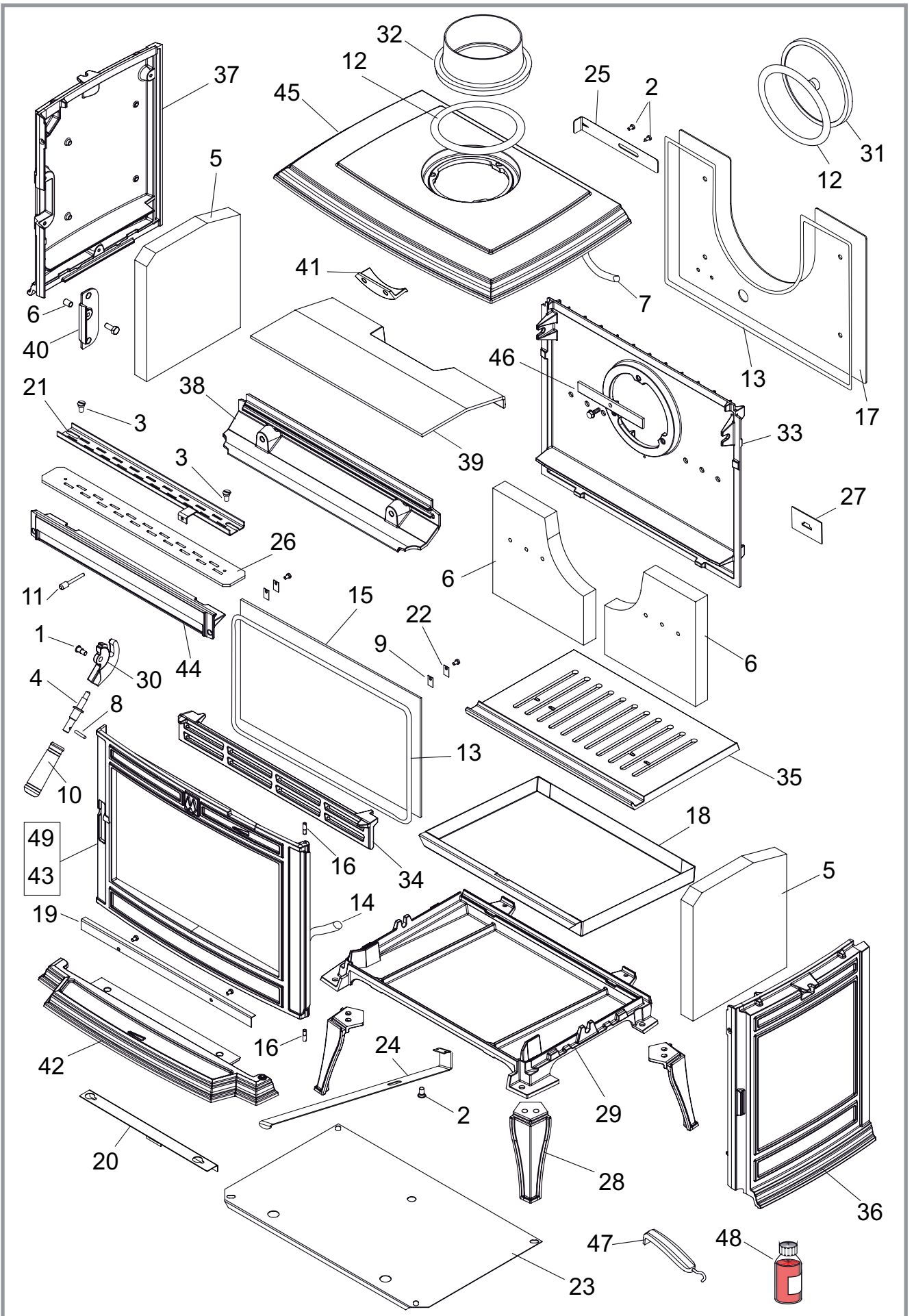


Figure 9 - Stove - exploded view

Y = 1340605 Y ; **P** = 1340605 P ; **L** = 1340605 L ; **E** = 1340605 E ; **J** = 1340605 J

N°	Code	Description	Type	Y	P	L	E	J	Qty
42	327909 79	Ash pan guide						J	1
42	327909 EF	Ash pan guide		Y					1
43	331116 RH	Main door			P				1
43	331116 RP	Main door					E		1
43	331116 77	Main door				L			1
43	331116 79	Main door						J	1
43	331116 EF	Main door		Y					1
44	332004	Air duct		Y	P	L	E	J	1
45	352175 RH	Top plate			P				1
45	352175 RP	Top plate					E		1
45	352175 77	Top plate				L			1
45	352175 79	Top plate						J	1
45	352175 EF	Top plate		Y					1
46	406816	Clamp		Y	P	L	E	J	1
47	808001 ED	Hand tool		Y	P	L	E	J	1
48	161025	Touch-up paint				L			1
48	161027	Touch-up paint						J	1
48	161060	Touch-up paint			P				1
48	161061	Touch-up paint					E		1
49	989009	Complete door		Y	P	L	E	J	1