

4 Spare parts

When ordering spare parts, specify the **stove type** and **serial number**, including the **colour index** (on the guarantee or identification plate), the **name of the part** and the **part number**.

Example : Wood stove “ **MONACO** ”, model **134 06 02**, the colour index **Y**, Main door **331116 EF**

A = 134 06 02 Y ; **B** = 134 06 02 P ; **C** = 134 06 02 L ; **D** = 134 06 02 E ; **E** = 134 06 02 J

N°	Code	Description	Type	A	B	C	D	E	Qty
1	100917	Cam pin	12x20 M7	A	B	C	D	E	01
2	101067	Cam pin		A	B	C	D	E	01
3	101809	Ring		A	B	C	D	E	05
4	102041	Firebrick		A	B	C	D	E	02
5	102042	Firebrick		A	B	C	D	E	02
6	134253	Bushing.		A	B	C	D	E	01
7	134758	Pin.	4 x16	A	B	C	D	E	01
8	142881	Gasket		A	B	C	D	E	02
9	149882	Knob		A	B	C	D	E	01
10	158637	Handle		A	B	C	D	E	01
11	161025	Touch-up paint				C			01
11	161027	Touch-up paint						E	01
11	161060	Touch-up paint.			B				01
11	161061	Touch-up paint					D		01
12	162352	Descriptive plate		A	B	C	D	E	01
13	179628	Regulator shaft.		A	B	C	D	E	02
14	181614	Ceramic rope	Ø 12	A	B	C	D	E	1,04 m
15	181632	Gasket	Ø 6	A	B	C	D	E	1,35 m
16	181633	Gasket.	Ø 10	A	B	C	D	E	1,58 m
17	105006	Gasket.	Ø 15	A	B	C	D	E	1,65 m
18	188858	Ceramic glass	425 X 253	A	B	C	D	E	01
19	189104	Screw	6x22	A	B	C	D	E	02
20	207309	Back panel		A	B	C	D	E	01
21	216123	Circulation duct		A	B	C	D	E	02
22	224022	Ash-pan		A	B	C	D	E	01
23	228624	Square		A	B	C	D	E	01
24	237406	Reducing plate		A	B	C	D	E	01
25	237415	Reducing plate		A	B	C	D	E	01
26	259015	Fixing plate.		A	B	C	D	E	02
27	262614	Heat shield		A	B	C	D	E	01
28	270402	Air control flap		A	B	C	D	E	01
29	300136	RH Leg			B				04
29	300136	RP Leg					D		04
29	300136	EF Leg		A					04
29	300136	77 Leg				C			04
29	300136	79 Leg						E	04
30	300432	EF Base		A	B	C	D	E	01
31	301537	RH Door lock.			B				01
31	301537	RP Door lock					D		01
31	301537	EF Door lock.		A					01
31	301537	77 Door lock				C			01
31	301537	79 Door lock						E	01
32	303718	RH Blanking plate			B				01
32	303718	RP Blanking plate.					D		01
32	303718	EF Blanking plate		A					01
32	303718	77 Blanking plate.				C			01
32	303718	79 Blanking plate						E	01
33	303860	RH Flue collar			B				01
33	303860	RP Flue collar.					D		01
33	303860	EF Flue collar		A					01
33	303860	77 Flue collar				C			01
33	303860	79 Flue collar						E	01
34	306260	EF Back wall		A	B	C	D	E	01
35	307424	EF Fuel retainer		A	B	C	D	E	01
36	309232	Wood grate.		A	B	C	D	E	01
37	310733	RH R. side panel.			B				01
37	310733	RP R. side panel					D		01

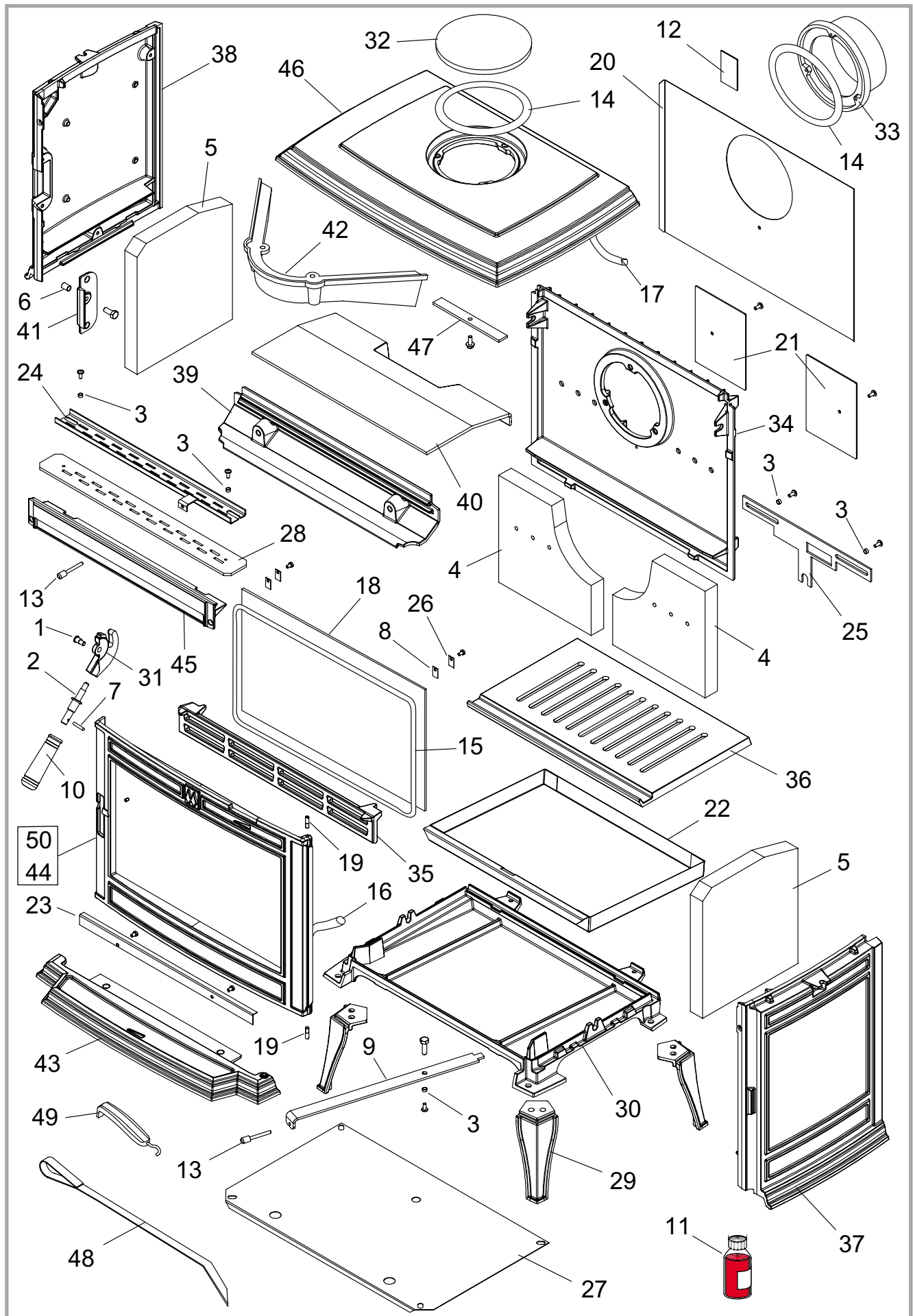


Figure 8 - Spare parts view

A = 134 06 02 Y ; B = 134 06 02 P ; C = 134 06 02 L ; D = 134 06 02 E ; E = 134 06 02 J

N°	Code	Description	Type	A	B	C	D	E	Qty
37	310733	EF R. side panel		A					01
37	310733	77 R. side panel				C			01
37	310733	79 R. side panel						E	01
38	310833	RH L. side panel			B				01
38	310833	RP L. side panel					D		01
38	310833	EF L. side panel		A					01
38	310833	77 L. side panel				C			01
38	310833	79 L. side panel						E	01
39	315615	Air duct		A	B	C	D	E	01
40	323209	Flue baffle		A	B	C	D	E	01
41	324503	Sealing plate		A	B	C	D	E	01
42	326601	Suppl. flue baffle		A	B	C	D	E	01
43	327909	RH Ash pan guide			B				01
43	327909	RP Ash pan guide					D		01
43	327909	EF Ash pan guide		A					01
43	327909	77 Ash pan guide				C			01
43	327909	79 Ash pan guide						E	01
44	331116	RH Main door			B				01
44	331116	RP Main door					D		01
44	331116	EF Main door		A					01
44	331116	77 Main door				C			01
44	331116	79 Main door						E	01
45	332004	Air duct		A	B	C	D	E	01
46	352175	RH Top plate			B				01
46	352175	RP Top plate					D		01
46	352175	EF Top plate		A					01
46	352175	77 Top plate				C			01
46	352175	79 Top plate						E	01
47	406816	Clamp		A	B	C	D	E	01
48	415504	60 Poker		A	B	C	D	E	01
49	808001	ED Hand tool		A	B	C	D	E	01
50	989009	Complete door		A					01
50	989010	Complete door			B				01
50	989011	Complete door				C			01
50	989012	Complete door					D		01
50	989013	Complete door						E	01