

4. Spare parts

When ordering spare parts, specify **the stove type** and **serial number**, including the colour index (on the guarantee or identification plate), the name of the part

and the part number.

Example : Wood stove, réf. 134 10 12 Y, top plate 352124 EF.

N°	Code	Description	Type	Qty
1	100939	Axle		04
2	101048	Axle		02
3	110404	Hinge pin	6x30	02
4	110405	Hinge pin	6x35	02
5	134107	Glove		01
6	134711	Pin	6x30	02
7	134749	Pin	4x20	02
8	142301	Adhesive rope		1,32 m
9	162721	Descriptive plate	9	01
10	181607	Ceramic rope	Ø 9,5	1,00 m
11	181614	Ceramic rope	d. 9,5	3,40 m
12	181615	Ceramic rope	d. 12	1,77 m
13	188780	Ceramic glass	439x272x4	01
14	205391	Back panel	14	01
15	209915	Protector		01
16	222609	Suppl. flue baffle		01
17	237413	60 Reducing plate		01
18	259015	Fixing plate		04
19	270409	Air control flap		01
20	270410	60 Air control flap		01
21	300122	EF Leg		04
22	300462	EF Base		01
23	300991	EF Handle		02
24	303515	EF Loading door		01
25	303718	EF Blanking plate		01
26	303826	EF Flue collar	Ø 153 int.	01
27	305015	Wall		01
28	305150	Back wall		01
29	306278	EF Back wall		01
30	307422	Fuel retainer		02
31	308712	Coal grate		01
32	309897	EF Front plate		01
33	310729	EF R. side panel		01
34	310826	EF L. side panel		01
35	314607	Inner door		01
36	315602	Air duct		01
37	323211	Flue baffle		01
38	325304	EF Reducing plate		03
39	327901	EF Tray		01
40	331108	EF Main door		01
41	352124	EF Top plate		01
42	406816	EF Clamp		01
43	415504	60 Poker		01
44	624043	Ash-pan		01
45	808001	ED Hand tool		01
46	262608	Heat shield		01

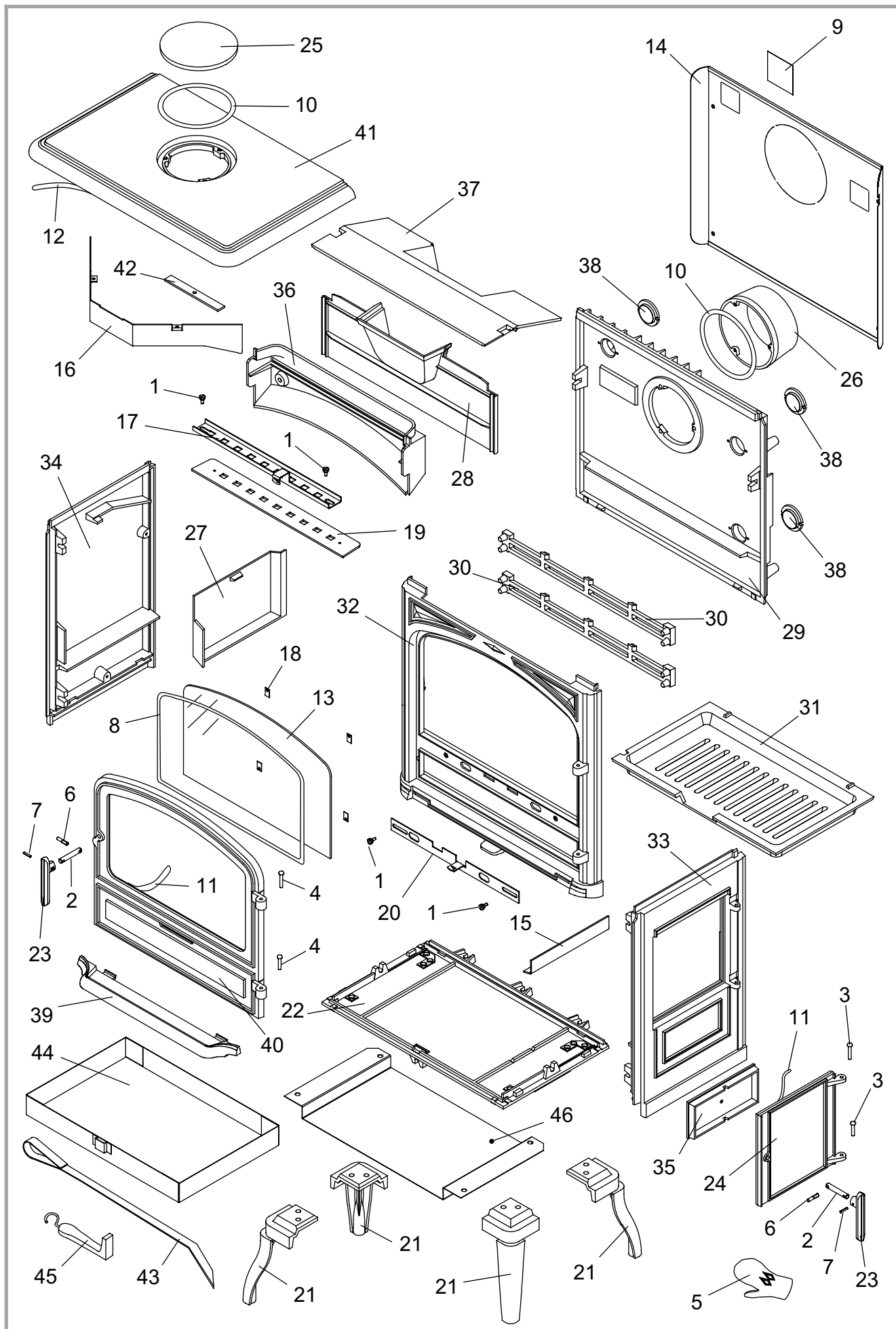


Figure 7 - Stove - exploded view