

4. Spare parts

When ordering spare parts, specify the **stove type** and **serial number**, including the **colour index** (on the guarantee or identification plate), the **name of the part** and the **part number**.

Example : Wood stove, ref. **134 10 10 Y**, top plate **352124 AB**.

A = 134 10 10 Y ; B = 134 10 10 J ; C = 134 10 10 L ; D = 134 10 10 D

E = 134 10 10 C ; F = 134 10 10 F ; G = 134 10 10 N ; H = 134 10 10 P ; I = 134 10 10 Q

N°	Code	Description	Type	A	B	C	D	E	F	G	H	I	Qty
1	100939	Axle		A	B	C	D	E	F	G	H	I	05
2	101048	Axle		A	B	C	D	E	F	G	H	I	02
3	110404	Hinge pin.	6x30	A	B	C	D	E	F	G	H	I	02
4	110405	Hinge pin.	6x35	A	B	C	D	E	F	G	H	I	02
5	134107	Glove.		A	B	C	D	E	F	G	H	I	01
6	134711	Pin	6x30	A	B	C	D	E	F	G	H	I	02
7	134750	Pin	4x26	A	B	C	D	E	F	G	H	I	02
8	181632	Gasket	Ø 6	A	B	C	D	E	F	G	H	I	1,32 m
9	162546	Descriptive plate		A	B	C	D	E	F	G	H	I	01
10	181607	Ceramic rope	Ø 9,5	A	B	C	D	E	F	G	H	I	1 m
11	181614	Ceramic rope	Ø 9,5	A	B	C	D	E	F	G	H	I	3,40 m
12	105006	Gasket		A	B	C	D	E	F	G	H	I	1,77 m
13	188780	Ceramic glass	439x272x4	A	B	C	D	E	F	G	H	I	01
14	205391	Back panel		A	B	C	D	E	F	G	H	I	01
15	209915	Protector		A	B	C	D	E	F	G	H	I	01
16	326603	Suppl. flue baffle		A	B	C	D	E	F	G	H	I	01
17	237413 60.	Reducing plate.		A	B	C	D	E	F	G	H	I	01
18	259015	Fixing plate.		A	B	C	D	E	F	G	H	I	04
19	270409	Air control flap		A	B	C	D	E	F	G	H	I	01
20	270410 60.	Air control flap		A	B	C	D	E	F	G	H	I	01
21	300122 MK	Leg		A			D	E					04
21	300122 AB	Leg		A			D						04
21	300122 77.	Leg				C							04
21	300122 79.	Leg			B								04
21	300122 ED	Leg						F					04
21	300122 EP	Leg							G				04
21	300122 RH	Leg								H			04
21	300122 ER	Leg									I		04
22	300462 AB	Base		A	B	C	D	E	F	G	H		01
23	300993 MK	Handle					D	E					02
23	300993 AB	Handle		A			D						02
23	300993 77.	Handle				C							02
23	300993 79.	Handle			B								02
23	300993 ED	Handle						F					02
23	300993 EP	Handle							G				02
23	300993 RH	Handle								H			02
23	300993 ER	Handle									I		02
24	303515 MK	Loading door.						E					01
24	303515 AB	Loading door.		A			D						01
24	303515 77.	Loading door				C							01
24	303515 79.	Loading door			B								01
24	303515 ED	Loading door						F					01
24	303515 EP	Loading door							G				01
24	303515 RH	Loading door								H			01
24	303515 ER	Loading door									I		01
25	303718 MK	Blanking plate						E					01
25	303718 AB	Blanking plate		A			D						01
25	303718 77.	Blanking plate.				C							01
25	303718 79.	Blanking plate			B								01
25	303718 ED	Blanking plate						F					01
25	303718 EP	Blanking plate.							G				01
25	303718 RH	Blanking plate								H			01
25	303718 ER	Blanking plate									I		01
26	303860 MK	Flue collar						E					01
26	303860 AB	Flue collar		A			D						01
26	303860 77.	Flue collar.				C							01
26	303860 79.	Flue collar			B								01
26	303860 ED	Flue collar						F					01
26	303860 EP	Flue collar.							G				01
26	303860 RH	Flue collar								H			01
26	303860 ER	Flue collar									I		01
27	305015 AB	Wall		A	B	C	D	E	F	G	H	I	01
28	305150 AB	Back wall.		A	B	C	D	E	F	G	H	I	01
29	306278 AB	Back wall.		A	B	C	D	E	F	G	H	I	01
30	307422 AB	Fuel retainer		A	B	C	D	E	F	G	H	I	02
31	309231 AB	Wood grate.		A	B	C	D	E	F	G	H	I	01

A = 134 10 10 Y ; B = 134 10 10 J ; C = 134 10 10 L ; D = 134 10 10 D
 E = 134 10 10 C ; F = 134 10 10 F ; G = 134 10 10 N ; H = 134 10 10 P ; I = 134 10 10 Q

N°	Code	Description	Type	A	B	C	D	E	F	G	H	I	Qty
32	309897	MK	Front plate					E					01
32	309897	AB	Front plate	A			D						01
32	309897	77	Front plate			C							01
32	309897	79	Front plate		B								01
32	309897	ED	Front plate						F				01
32	309897	EP	Front plate							G			01
32	309897	RH	Front plate								H		01
32	309897	ER	Front plate									I	01
33	310729	MK	R. side panel					E					01
33	310729	AB	R. side panel	A			D						01
33	310729	77	R. side panel			C							01
33	310729	79	R. side panel		B								01
33	310729	ED	R. side panel						F				01
33	310729	EP	R. side panel							G			01
33	310729	RH	R. side panel								H		01
33	310729	ER	R. side panel									I	01
34	310826	MK	L. side panel					E					01
34	310826	AB	L. side panel	A			D						01
34	310826	77	L. side panel			C							01
34	310826	79	L. side panel		B								01
34	310826	ED	L. side panel						F				01
34	310826	EP	L. side panel							G			01
34	310826	RH	L. side panel								H		01
34	310826	ER	L. side panel									I	01
35	314607		Inner door	A	B	C	D	E	F	G	H	I	01
36	315602		Air duct	A	B	C	D	E	F	G	H	I	01
37	323211		Flue baffle	A	B	C	D	E	F	G	H	I	01
38	325304	AB	Reducing plate	A	B	C	D	E	F	G	H	I	03
39	327901	MK	Tray					E					01
39	327901	AB	Tray	A			D						01
39	327901	77	Tray			C							01
39	327901	79	Tray		B								01
39	327901	ED	Tray						F				01
39	327901	EP	Tray							G			01
39	327901	RH	Tray								H		01
39	327901	ER	Tray									I	01
40	331108	MK	Main door					E					01
40	331108	AB	Main door	A			D						01
40	331108	66	Main door				D						01
40	331108	77	Main door			C							01
40	331108	79	Main door		B								01
40	331108	ED	Main door						F				01
40	331108	EP	Main door							G			01
40	331108	RH	Main door								H		01
40	331108	ER	Main door									I	01
41	352124	MK	Top plate					E					01
41	352124	AB	Top plate	A			D						01
41	352124	77	Top plate			C							01
41	352124	79	Top plate		B								01
41	352124	ED	Top plate						F				01
41	352124	EP	Top plate							G			01
41	352124	RH	Top plate								H		01
41	352124	ER	Top plate									I	01
42	406816		Clamp	A	B	C	D	E	F	G	H	I	01
43	415504	60	Poker	A	B	C	D	E	F	G	H	I	01
44	624043		Ash-pan	A	B	C	D	E	F	G	H	I	01
45	808001	ED	Hand tool	A	B	C	D	E	F	G	H	I	01
46	262608		Heat shield	A	B	C	D	E	F	G	H	I	01
47	988874		Complete door	A									01
47	988880		Complete door		B								01
47	988881		Complete door			C							01
47	988887		Complete door				D						01
47	988990		Complete door					E					01
47	988911		Complete door						F				01
47	988857		Complete door							G			01
47	988989		Complete door								H		01
47	988992		Complete door									I	01
48	142881		Gasket	A	B	C	D	E	F	G	H	I	04
49	161025		Touch-up paint	(L)		C							01
49	161027		Touch-up paint	(J)	B								01
49	161059		Touch-up paint	(C)				E					01
49	161039		Touch-up paint	(P)							H		01

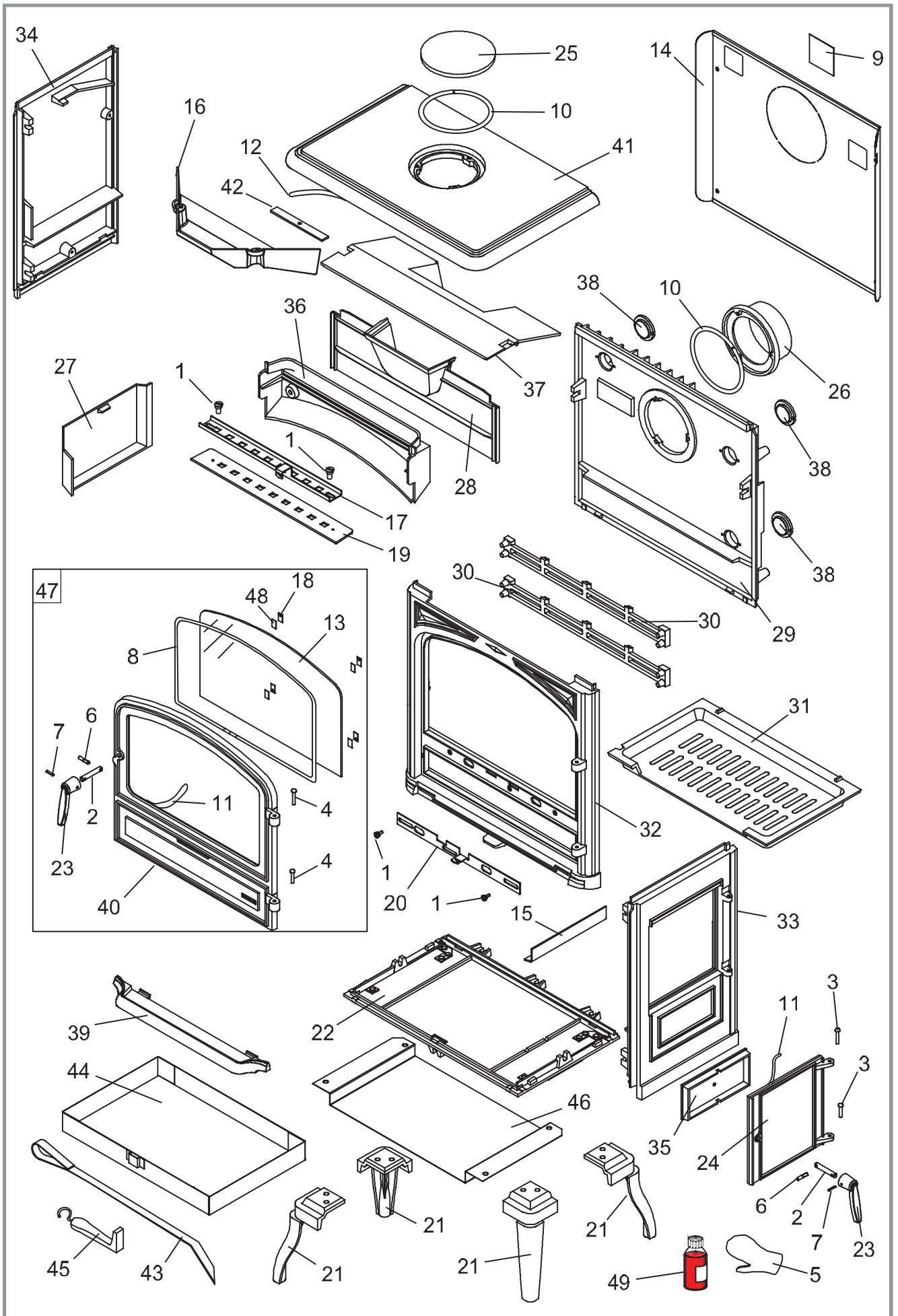


Figure 9 - Stove - exploded view