

## 4. Spare parts

When ordering spare parts, specify **the stove type** and **serial number**, including the **colour** index (on the guarantee or identification plate), the **name** of the part and **the part number**.

Example : Wood stove "Camargue", ref. 134 10 15, colour Y, Top plate 302141 77

A = 134 10 15 Y   B = 134 10 15 L   C = 134 10 15 J   D = 134 10 15 N   E = 134 10 15 Q

| N° | Code     | Description . . . . .       | Type . . . . . | A . . . . . | B . . . . . | C . . . . . | D . . . . . | E . . . . . | Qty   |
|----|----------|-----------------------------|----------------|-------------|-------------|-------------|-------------|-------------|-------|
| 1  | 100956   | Axle . . . . .              |                | A . . . . . | B . . . . . | C . . . . . | D . . . . . | E . . . . . | 02    |
| 2  | 110405   | Hinge pin . . . . .         | 6x35           | A . . . . . | B . . . . . | C . . . . . | D . . . . . | E . . . . . | 02    |
| 4  | 134749   | Pin . . . . .               | 4x20           | A . . . . . | B . . . . . | C . . . . . | D . . . . . | E . . . . . | 02    |
| 5  | 181632   | Adhesive rope . . . . .     |                | A . . . . . | B . . . . . | C . . . . . | D . . . . . | E . . . . . | 0,80m |
| 6  | 158541   | Handle . . . . .            |                | A . . . . . | B . . . . . | C . . . . . | D . . . . . | E . . . . . | 02    |
| 8  | 162961   | Descriptive plate . . . . . |                | A . . . . . | B . . . . . | C . . . . . | D . . . . . | E . . . . . | 01    |
| 9  | 166003   | Spring . . . . .            | 11x15          | A . . . . . | B . . . . . | C . . . . . | D . . . . . | E . . . . . | 01    |
| 12 | 181614   | Ceramic rope . . . . .      | d. 9,5 mm      | A . . . . . | B . . . . . | C . . . . . | D . . . . . | E . . . . . | 0,87m |
| 13 | 105006   | Ceramic rope . . . . .      | Ø 15           | A . . . . . | B . . . . . | C . . . . . | D . . . . . | E . . . . . | 3,14m |
| 14 | 181604   | Ceramic rope . . . . .      | 10x4           | A . . . . . | B . . . . . | C . . . . . | D . . . . . | E . . . . . | 1 m   |
| 15 | 188779   | Ceramic glass . . . . .     |                | A . . . . . | B . . . . . | C . . . . . | D . . . . . | E . . . . . | 01    |
| 16 | 189103   | Screw . . . . .             | 27x8x6         | A . . . . . | B . . . . . | C . . . . . | D . . . . . | E . . . . . | 01    |
| 27 | 205330   | Back panel . . . . .        |                | A . . . . . | B . . . . . | C . . . . . | D . . . . . | E . . . . . | 01    |
| 28 | 22120066 | Striking plate . . . . .    |                | A . . . . . | B . . . . . | C . . . . . | D . . . . . | E . . . . . | 02    |
| 29 | 224022   | Ash-pan . . . . .           |                | A . . . . . | B . . . . . | C . . . . . | D . . . . . | E . . . . . | 01    |
| 32 | 259015   | Fixing plate . . . . .      |                | A . . . . . | B . . . . . | C . . . . . | D . . . . . | E . . . . . | 04    |
| 33 | 260537   | Heat shield . . . . .       |                | A . . . . . | B . . . . . | C . . . . . | D . . . . . | E . . . . . | 01    |
| 35 | 30012159 | Right leg . . . . .         |                | A . . . . . |             |             |             |             | 02    |
| 35 | 30012177 | Right leg . . . . .         |                |             | B . . . . . |             |             |             | 02    |
| 35 | 30012179 | Right leg . . . . .         |                |             |             | C . . . . . |             |             | 02    |
| 35 | 300121EP | Right leg . . . . .         |                |             |             |             | D . . . . . |             | 02    |
| 35 | 300121ER | Right leg . . . . .         |                |             |             |             |             | E . . . . . | 02    |
| 36 | 30021759 | Left leg . . . . .          |                | A . . . . . |             |             |             |             | 02    |
| 36 | 30021777 | Left leg . . . . .          |                |             | B . . . . . |             |             |             | 02    |
| 36 | 30021779 | Left leg . . . . .          |                |             |             | C . . . . . |             |             | 02    |
| 36 | 300217EP | Left leg . . . . .          |                |             |             |             | D . . . . . |             | 02    |
| 36 | 300217ER | Left leg . . . . .          |                |             |             |             |             | E . . . . . | 02    |
| 37 | 30045560 | Base . . . . .              |                | A . . . . . |             |             |             |             | 01    |
| 37 | 30045577 | Base . . . . .              |                |             | B . . . . . |             |             |             | 01    |
| 37 | 30045579 | Base . . . . .              |                |             |             | C . . . . . |             |             | 01    |
| 37 | 300455EP | Base . . . . .              |                |             |             |             | D . . . . . |             | 01    |
| 37 | 300455ER | Base . . . . .              |                |             |             |             |             | E . . . . . | 01    |
| 38 | 30151566 | Door lock . . . . .         |                | A . . . . . | B . . . . . | C . . . . . | D . . . . . | E . . . . . | 02    |
| 39 | 30174259 | Air damper . . . . .        |                | A . . . . . |             |             |             |             | 01    |
| 39 | 30174277 | Air damper . . . . .        |                |             | B . . . . . |             |             |             | 01    |
| 39 | 30174279 | Air damper . . . . .        |                |             |             | C . . . . . |             |             | 01    |
| 39 | 301742EP | Air damper . . . . .        |                |             |             |             | D . . . . . |             | 01    |
| 39 | 301742ER | Air damper . . . . .        |                |             |             |             |             | E . . . . . | 01    |
| 40 | 30214159 | Top plate . . . . .         |                | A . . . . . |             |             |             |             | 01    |
| 40 | 30214177 | Top plate . . . . .         |                |             | B . . . . . |             |             |             | 01    |
| 40 | 30214179 | Top plate . . . . .         |                |             |             | C . . . . . |             |             | 01    |
| 40 | 302141EP | Top plate . . . . .         |                |             |             |             | D . . . . . |             | 01    |
| 40 | 302141ER | Top plate . . . . .         |                |             |             |             |             | E . . . . . | 01    |
| 41 | 30351059 | Loading door . . . . .      |                | A . . . . . |             |             |             |             | 01    |
| 41 | 30351077 | Loading door . . . . .      |                |             | B . . . . . |             |             |             | 01    |
| 41 | 30351079 | Loading door . . . . .      |                |             |             | C . . . . . |             |             | 01    |
| 41 | 303510EP | Loading door . . . . .      |                |             |             |             | D . . . . . |             | 01    |
| 41 | 303510ER | Loading door . . . . .      |                |             |             |             |             | E . . . . . | 01    |
| 42 | 30371859 | Blanking plate . . . . .    |                | A . . . . . |             |             |             |             | 01    |
| 42 | 30371877 | Blanking plate . . . . .    |                |             | B . . . . . |             |             |             | 01    |
| 42 | 30371879 | Blanking plate . . . . .    |                |             |             | C . . . . . |             |             | 01    |
| 42 | 303718EP | Blanking plate . . . . .    |                |             |             |             | D . . . . . |             | 01    |
| 42 | 303718ER | Blanking plate . . . . .    |                |             |             |             |             | E . . . . . | 01    |
| 43 | 30386059 | Flue collar . . . . .       | Ø 139          | A . . . . . |             |             |             |             | 01    |
| 43 | 30386077 | Flue collar . . . . .       | Ø 139          |             | B . . . . . |             |             |             | 01    |
| 43 | 30386079 | Flue collar . . . . .       | Ø 139          |             |             | C . . . . . |             |             | 01    |
| 43 | 303860EP | Flue collar . . . . .       | Ø 139          |             |             |             | D . . . . . |             | 01    |

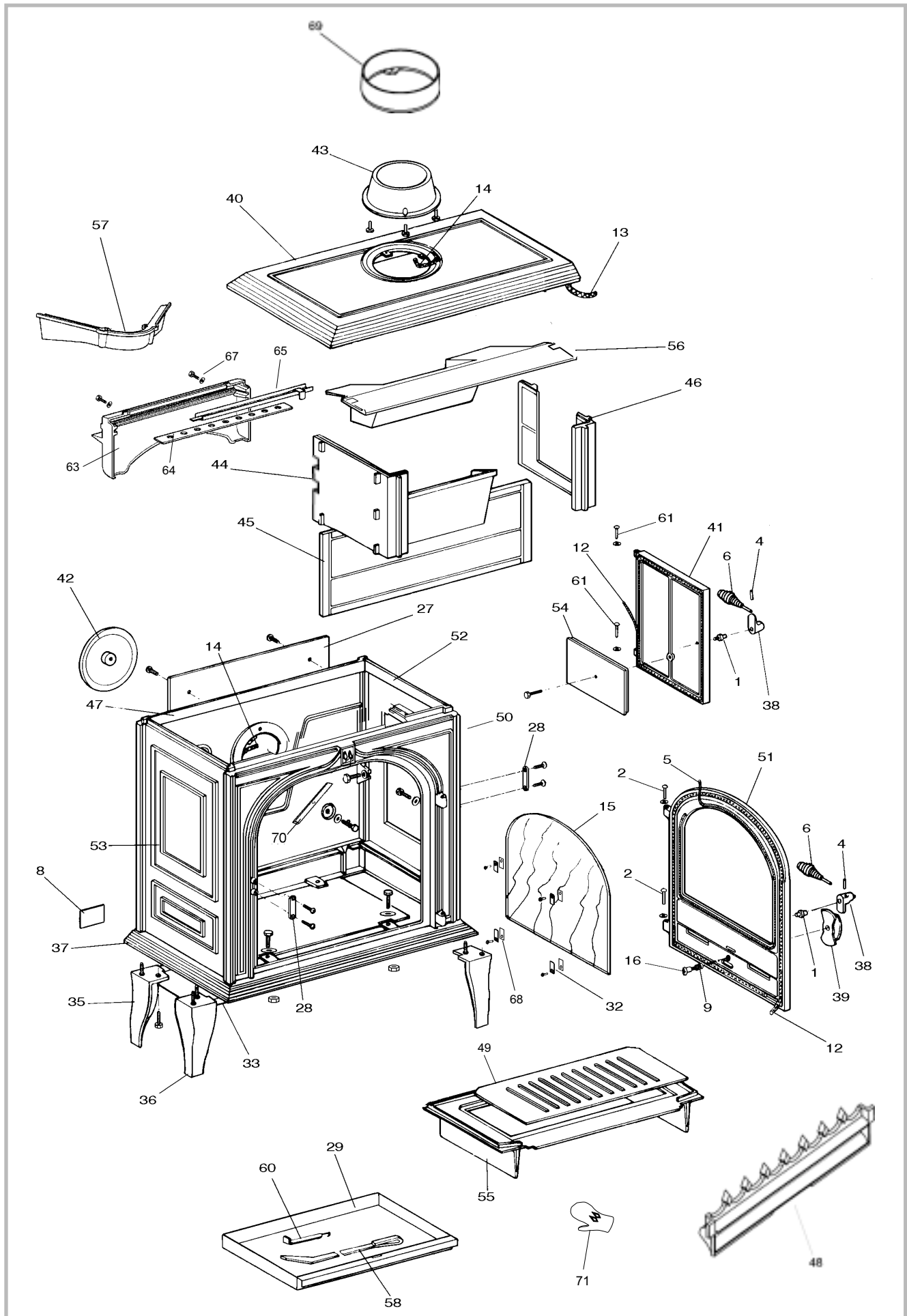


Figure 8 - Spare parts view

A = 134 10 15 Y B = 134 10 15 L C = 134 10 15 J D = 134 10 15 N E = 134 10 15 Q

| N° | Code     | Description . . . . .               | Type . . . . .  | A . . . . . | B . . . . . | C . . . . . | D . . . . . | E . . . . . | Qty |
|----|----------|-------------------------------------|-----------------|-------------|-------------|-------------|-------------|-------------|-----|
| 43 | 303860ER | Flue collar . . . . .               | Ø 139 . . . . . |             |             |             |             | E . . . . . | 01  |
| 44 | 305009   | Wall . . . . .                      |                 | A . . . . . | B . . . . . | C . . . . . | D . . . . . | E . . . . . | 01  |
| 45 | 305114   | Back wall . . . . .                 |                 | A . . . . . | B . . . . . | C . . . . . | D . . . . . | E . . . . . | 01  |
| 46 | 305211   | Wall . . . . .                      |                 | A . . . . . | B . . . . . | C . . . . . | D . . . . . | E . . . . . | 01  |
| 47 | 306215   | Back wall . . . . .                 |                 | A . . . . . | B . . . . . | C . . . . . | D . . . . . | E . . . . . | 01  |
| 48 | 307416   | Fuel retainer . . . . .             |                 | A . . . . . | B . . . . . | C . . . . . | D . . . . . | E . . . . . | 01  |
| 49 | 308710   | Grate . . . . .                     |                 | A . . . . . | B . . . . . | C . . . . . | D . . . . . | E . . . . . | 01  |
| 50 | 30985959 | Front plate . . . . .               |                 | A . . . . . |             |             |             |             | 01  |
| 50 | 30985977 | Front plate . . . . .               |                 |             | B . . . . . |             |             |             | 01  |
| 50 | 30985979 | Front plate . . . . .               |                 |             |             | C . . . . . |             |             | 01  |
| 50 | 309859EP | Front plate . . . . .               |                 |             |             |             | D . . . . . |             | 01  |
| 50 | 309859ER | Front plate . . . . .               |                 |             |             |             |             | E . . . . . | 01  |
| 51 | 30996459 | Main door . . . . .                 |                 | A . . . . . |             |             |             |             | 01  |
| 51 | 30996477 | Main door . . . . .                 |                 |             | B . . . . . |             |             |             | 01  |
| 51 | 30996479 | Main door . . . . .                 |                 |             |             | C . . . . . |             |             | 01  |
| 51 | 309964EP | Main door . . . . .                 |                 |             |             |             | D . . . . . |             | 01  |
| 51 | 309964ER | Main door . . . . .                 |                 |             |             |             |             | E . . . . . | 01  |
| 51 | 988798   | Complete door . . . . .             |                 | A . . . . . |             |             |             |             | 01  |
| 51 | 988800   | Complete door . . . . .             |                 |             | B . . . . . |             |             |             | 01  |
| 51 | 988891   | Complete door . . . . .             |                 |             |             | C . . . . . |             |             | 01  |
| 51 | 988858   | Complete door . . . . .             |                 |             |             |             | D . . . . . |             | 01  |
| 51 | 988993   | Complete door . . . . .             |                 |             |             |             |             | E . . . . . | 01  |
| 52 | 31072159 | Right side panel . . . . .          |                 | A . . . . . |             |             |             |             | 01  |
| 52 | 31072177 | Right side panel . . . . .          |                 |             | B . . . . . |             |             |             | 01  |
| 52 | 31072179 | Right side panel . . . . .          |                 |             |             | C . . . . . |             |             | 01  |
| 52 | 310721EP | Right side panel . . . . .          |                 |             |             |             | D . . . . . |             | 01  |
| 52 | 310721ER | Right side panel . . . . .          |                 |             |             |             |             | E . . . . . | 01  |
| 53 | 31081159 | Left side panel . . . . .           |                 | A . . . . . |             |             |             |             | 01  |
| 53 | 31081177 | Left side panel . . . . .           |                 |             | B . . . . . |             |             |             | 01  |
| 53 | 31081179 | Left side panel . . . . .           |                 |             |             | C . . . . . |             |             | 01  |
| 53 | 310811EP | Left side panel . . . . .           |                 |             |             |             | D . . . . . |             | 01  |
| 53 | 310811ER | Left side panel . . . . .           |                 |             |             |             |             | E . . . . . | 01  |
| 54 | 314607   | Inner door . . . . .                |                 | A . . . . . | B . . . . . | C . . . . . | D . . . . . | E . . . . . | 01  |
| 55 | 319707   | Grate support . . . . .             |                 | A . . . . . | B . . . . . | C . . . . . | D . . . . . | E . . . . . | 01  |
| 56 | 323211   | Flue baffle . . . . .               |                 | A . . . . . | B . . . . . | C . . . . . | D . . . . . | E . . . . . | 01  |
| 57 | 326601   | Supplement of flue baffle . . . . . |                 | A . . . . . | B . . . . . | C . . . . . | D . . . . . | E . . . . . | 01  |
| 58 | 41550460 | Poker . . . . .                     |                 | A . . . . . | B . . . . . | C . . . . . | D . . . . . | E . . . . . | 01  |
| 60 | 80800160 | Handle . . . . .                    |                 | A . . . . . | B . . . . . | C . . . . . | D . . . . . | E . . . . . | 01  |
| 61 | 110404   | Hinge pin . . . . .                 | 6x30 . . . . .  | A . . . . . | B . . . . . | C . . . . . | D . . . . . | E . . . . . | 02  |
| 63 | 315601   | Air duct . . . . .                  |                 | A . . . . . | B . . . . . | C . . . . . | D . . . . . | E . . . . . | 01  |
| 64 | 442011   | Sealing plate . . . . .             |                 | A . . . . . | B . . . . . | C . . . . . | D . . . . . | E . . . . . | 01  |
| 65 | 613301   | Air control flap . . . . .          |                 | A . . . . . | B . . . . . | C . . . . . | D . . . . . | E . . . . . | 01  |
| 66 | 189788   | Screw . . . . .                     | M6X30 . . . . . | A . . . . . | B . . . . . | C . . . . . | D . . . . . | E . . . . . | 02  |
| 67 | 167322   | Washer . . . . .                    | M8 . . . . .    | A . . . . . | B . . . . . | C . . . . . | D . . . . . | E . . . . . | 02  |
| 68 | 142881   | Gasket . . . . .                    |                 | A . . . . . | B . . . . . | C . . . . . | D . . . . . | E . . . . . | 04  |
| 69 | 30382659 | Flue collar . . . . .               | Ø 153 . . . . . | A . . . . . |             |             |             |             | 01  |
| 69 | 30382677 | Flue collar . . . . .               | Ø 153 . . . . . |             | B . . . . . |             |             |             | 01  |
| 69 | 30382679 | Flue collar . . . . .               | Ø 153 . . . . . |             |             | C . . . . . |             |             | 01  |
| 69 | 303826EP | Flue collar . . . . .               | Ø 153 . . . . . |             |             |             | D . . . . . |             | 01  |
| 69 | 303826ER | Flue collar . . . . .               | Ø 153 . . . . . |             |             |             |             | E . . . . . | 01  |
| 70 | 406816   | Clamp . . . . .                     |                 | A . . . . . | B . . . . . | C . . . . . | D . . . . . | E . . . . . | 01  |
| 71 | 134107   | Glove . . . . .                     |                 | A . . . . . | B . . . . . | C . . . . . | D . . . . . | E . . . . . | 01  |