

Down draught. — Install an anti-down draught cowl. Consult your Dealer.

Room is in decompression. — In houses equipped with Mechanical Ventilation, an outside air intake must be installed for the chimney.

Low heat output.

Incorrect Fuels. — Use the recommended fuel.

4. Spare parts

When ordering spare parts, specify the stove type and **serial number**, including the colour index (on the guarantee or identification plate), the name of the part and the **part number**.

Example :

- Camargue wood stove,
- Ref.: 134 10 09 L,
- top 302141 77.

A = 134 10 09 L

B = 134 10 09 E

C = 134 10 09 J

D = 134 10 09 Y

N°	Code	Description	Type	A	B	C	D	Qté
1	100956	Axle		A	B	C	D	01
2	102027	Firebrick		A	B	C	D	01
3	102028	Firebrick		A	B	C	D	01
4	105244	Firebrick		A	B	C	D	01
5	110405	Hinge pin	6X35	A	B	C	D	02
6	308710	Coal grate		A	B	C	D	01
7	134749	Pin	4X20	A	B	C	D	01
8	142301	Adhesive rope		A	B	C	D	1,15 m
9	158541	Handle		A	B	C	D	01
10	162296	Descriptive plate		A	B	C	D	01
11	166003	Spring	11x15	A	B	C	D	01
13	161025	Touch-up paint		A				01
13	161029	Touch-up paint			B			01
13	161027	Touch-up paint				C		01
14	181604	Ceramic rope	10x4	A	B	C	D	0,50 m
15	188779	Ceramic glass		A	B	C	D	01
16	189103	Screw	27x8x6	A	B	C	D	01
25	205330	Back panel		A	B	C	D	01
26	221200 60	Striking plate		A	B	C	D	01
27	224023	Ash-pan		A	B	C	D	01
30	259015	Fixing plate		A	B	C	D	04
31	260537	Heat shield		A	B	C	D	01
32	262316	Heat shield		A	B	C	D	01
33	300121 77	B.L or F.R.leg		A				02
33	300121 MF	B.L or F.R.leg			B			02
33	300121 79	B.L or F.R.leg				C		02
33	300121 EF	B.L or F.R.leg					D	02
34	300217 77	B.R. or F.L. leg		A				02
34	300217 MF	B.R. or F.L. leg			B			02
34	300217 79	B.R. or F.L. leg				C		02
34	300217 EF	B.R. or F.L. leg					D	02
35	300455 77	Base		A				01
35	300455 MF	Base			B			01
35	300455 79	Base				C		01
35	300455 EF	Base					D	01
36	301515 77	Door lock		A				01
36	301515 MF	Door lock			B			01
36	301515 79	Door lock				C		01
36	301515 EF	Door lock					D	01
37	301742 77	Air damper		A				01
37	301742 MF	Air damper			B			01
37	301742 79	Air damper				C		01
37	301742 EF	Air damper					D	01
38	302141 77	Top plate		A				01
38	302141 MF	Top plate			B			01
38	302141 79	Top plate				C		01
38	302141 EF	Top plate					D	01
39	303718 77	Blanking plate		A				01
39	303718 MF	Blanking plate			B			01
39	303718 79	Blanking plate				C		01
39	303718 EF	Blanking plate					D	01
40	303826 77	Flue collar	Ø 153 int.	A				01
40	303826 MF	Flue collar	Ø 153 int.		B			01
40	303826 79	Flue collar	Ø 153 int.			C		01
40	303826 EF	Flue collar	Ø 153 int.				D	01
41	306215	Back wall		A	B	C	D	01

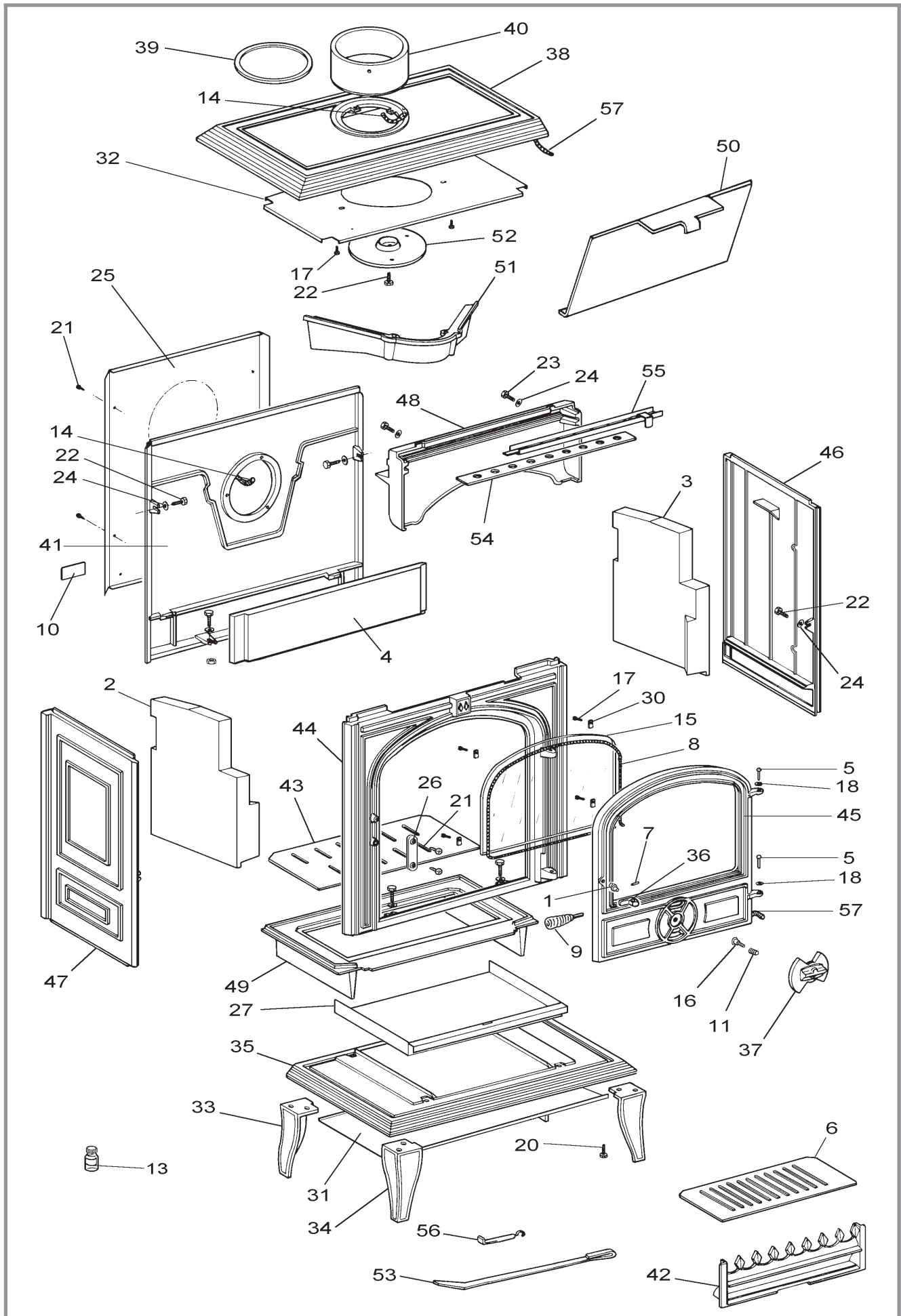


Figure 10

42	307416	Fuel retainer	A	B	C	D	01	
43	309215	Wood grate	A	B	C	D	01	
44	309859 77	Front plate	A				01	
44	309859 MF	Front plate		B			01	
44	309859 79	Front plate			C		01	
44	309859 EF	Front plate				D	01	
45	309964 77	Main door	A				01	
45	309964 MF	Main door		B			01	
45	309964 79	Main door			C		01	
45	309964 EF	Main door				D	01	
46	310711 77	R. side panel	A				01	
46	310711 MF	R. side panel		B			01	
46	310711 79	R. side panel			C		01	
46	310711 EF	R. side panel				D	01	
47	310811 77	L. side panel	A				01	
47	310811 MF	L. side panel		B			01	
47	310811 79	L. side panel			C		01	
47	310811 EF	L. side panel				D	01	
48	315601	Air duct	A	B	C	D	01	
49	319707	Grate support	A	B	C	D	01	
50	222554	Flue baffle	A	B	C	D	01	
51	326601	Suppl. flue baffle	A	B	C	D	01	
52	327801	Clamp	A	B	C	D	01	
53	415504 60	Poker	A	B	C	D	01	
54	442011	Sealing plate	A	B	C	D	01	
55	613301 EF	Air control flap	A	B	C	D	01	
56	808001 ED	Hand tool	A	B	C	D	01	
57	181615	Ceramic rope	Ø 12	A	B	C	D	3,14 m