

Fig. 7

OLD

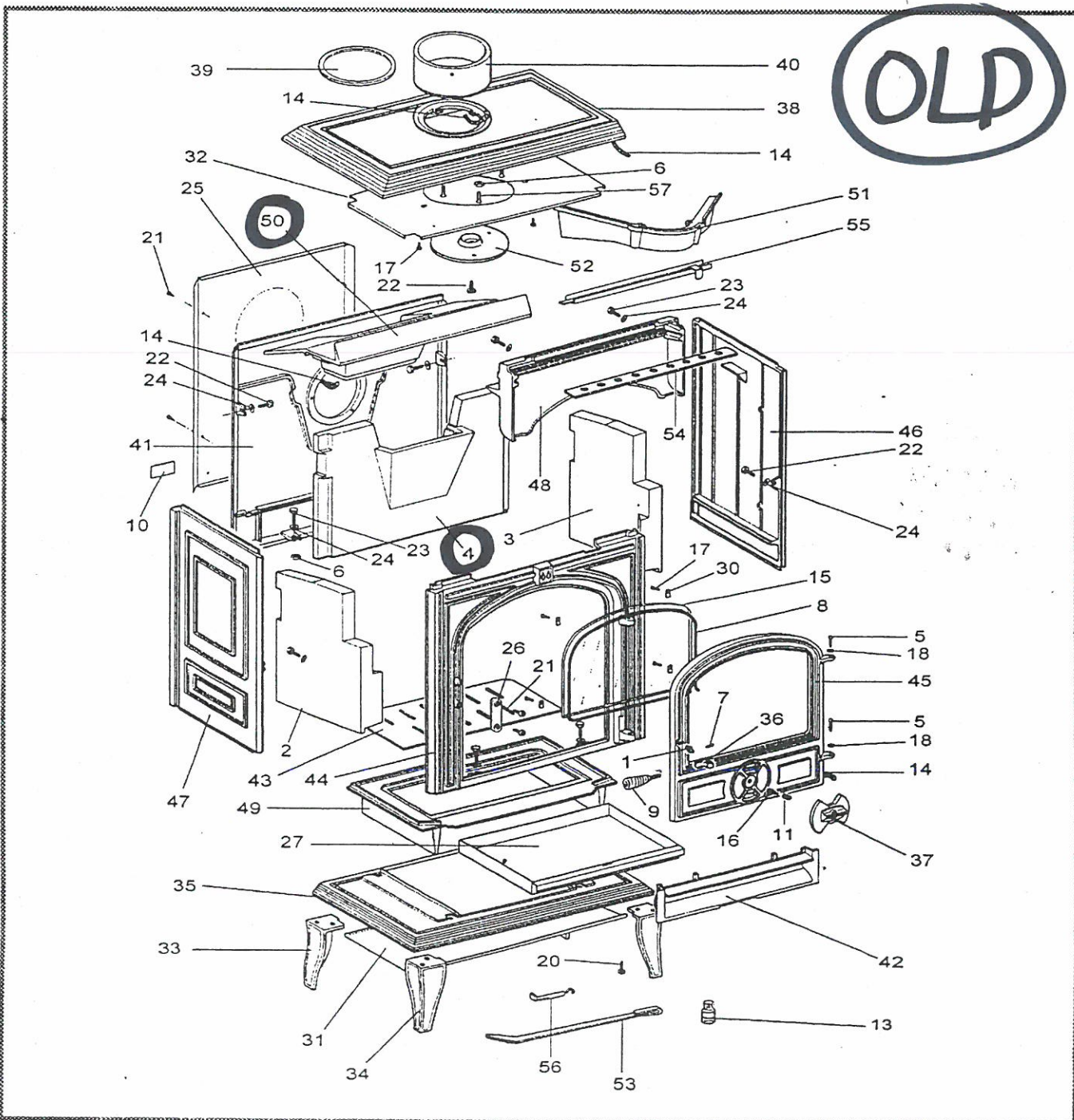


Fig. 8

4. List of components

When ordering spare parts, specify the stove type and serial number, including the colour index (on the guarantee or identification plate), the name of the part and the part number.

Example : Camargue wood stove, Ref.: 134.10.09, colour ref.: L, top 302141.

Note: Standard, commercially available, fittings (screws, nuts, etc.) are not supplied as spare parts.

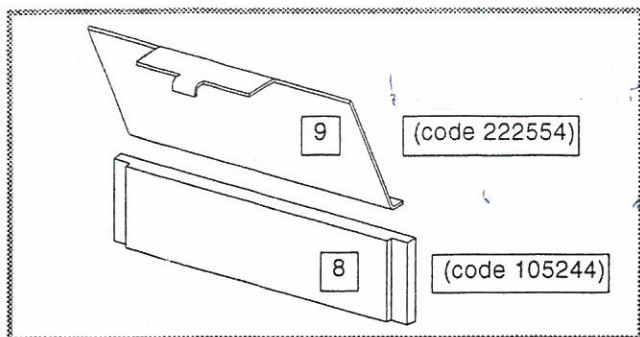
Item	Part N°	Part	Qty
1	100956	Pin	01
2	102027	Left brick	01
3	102028	Right brick	01
4	102029	Rear brick	01
5	110405	Splined nail, 6 x 35 brass plated	02
6	122404	Nut hu 6	07
7	134749	Mécanindus pin 4 x 20	01
8	142301	Adhesive thermocored seal	01
9	158558	Handle	01
10	162296	Identification plate	01
11	166003	Spring 11 x 15	01
13	161025	Brown touch-up paint (L)	01
14	181604	Ceramic braid 10 x 4	01
15	188779	Néocéram glass	01
16	189103	Screw 27 x 8 x 6	01
17	189446	Screw CB M5 x 8	04
18	167105	Washer 10 x 5,5 x 1,5	02
20	189771	Metal screw H8 x 20	08
21	189432	Metal screw tcb1 5 x 16	06
22	189786	Metal screw H6 x 20	05
23	189788	Metal screw H6 x 30	06
24	167322	Washer 8,5 x 22 x1,5	12
25	205330	Rear covering	01
26	221200	Clip	02
27	224022	Ash pan	01
	234110	Washer 20 x 5	02
30	259015	Mounting lug	04
31	260537	Screen	01
32	262316	Top screen	01
33	300105	Right leg	02
34	300217	Left leg	02
35	300455	Bottom	01
36	301534	Door catch	01
37	301742	Rose	01
38	302141	Top	01
39	303718	Damper	01
40	303826	Pipe	01
41	306215	Rear	01
42	307431	Front grill	01
43	309215	Wood grill	01
44	309859	Facade	01
45	309964	Grate holder	01
46	310711	Right side	01
47	310811	Left side	01
48	315601	Flue	01
49	319707	Grill support	01
50	323210	Baffle	01
51	326601	Supplementary baffle	01
52	327801	Clam	01
53	415504	Poker	01
	441448	Manual 759	01
54	442011	Blanking plate	01
55	613301	Air control	01
56	808001	Hook handle	01
57	189790	Metal screw hm 6 x 40	03
	167322	Washer 8,5 x 22 x 1,5	02
	189784	Metal screw h 8 x 30	02
		: pallet	

OLD

Trouble Shooting

Problem	Probable causes	Corrective action
Fire difficult to start Fire goes out	Wood green, too damp or poor quality	- Use the recommended fuel
	Logs are too big	- To light the fire, use small, very dry twigs. To maintain the fire, use split logs
	Air starvation	- Open lower spin wheel and top air control lever
	Insufficient draught	- Check that the flue is not obstructed, sweep it if necessary - Seek advice from a chimney specialist
Fire burns too quickly	Too much draught	- Ensure that the lower spin wheel is closed - Partially close the top air control lever
	Excessive draw	- Install a draught stabiliser. Consult your Dealer
	Poor quality wood	- Do not continuously burn small wood, sticks, bundles, carpentry offcuts (plywood, pallets), etc.
Smokes when lighting up	Flue duct is cold	Burn paper and kindling wood to increase heat
	Room is in decompression	- In houses equipped with mechanical ventilation, partly open a window until the fire is well established
Smokes while burning	Draught is insufficient	- Consult a chimney specialist. - Check that the flue is not obstructed, sweep if necessary
	Down draught	- Install an anti-down draught cowl. Consult your Dealer.
	Room is in decompression	- In houses equipped with CMV, an outside air intake must be installed for the chimney
Low heat output	Incorrect Fuels	- Use the recommended fuel

Kit 910000



English

Kit for the replacement of the baffle and the rear brick.
It can be adapted to any stove model Camargue.

We recommend to call for a specialist for the installation.

Installation instructions

- Remove the top plate of the appliance 1, and the supplementary baffle 3 (smoke exit on top),
- Remove the baffle 2 and discard,
- Remove the retainer fuel 4,
- Remove the left brick 5 and the right brick 6,
- Remove the rear brick 7 and discard,
- Place the new rear brick 8, (code 105244)
- Refit the 2 side bricks 5 and 6,
- Refit the retainer fuel 4,
- Place the new baffle 9, (code 222554)
- refit the top plate 1 and the supplementary baffle 3 (smoke exit on top).

Français

Pour le remplacement de la chicane et de la brique arrière. S'adapte sur tout poêle type Camargue.

Il est recommandé de faire appel à un professionnel qualifié pour son installation.

Procédure d'installation

Suivant l'appareil, il peut être nécessaire de supprimer ou de remplacer certains éléments.

- Déposer le dessus de l'appareil 1, et le supplément de chicane 3 (départ fumées au dessus),
- Déposer et supprimer la chicane 2,
- Déposer la grille de face 4,
- Déposer les briques de côté 5 et 6,
- Déposer et supprimer la brique arrière 7,
- Poser la nouvelle brique arrière 8, (code 105244)
- Reposer les 2 briques de côté 5 et 6,
- Reposer la grille de face 4,
- Poser la nouvelle chicane 9, (code 222554)
- Reposer le dessus de l'appareil 1 et le supplément de chicane 3 (départ fumées au dessus).

