

4. Spare parts

When ordering spare parts, specify the **stove type** and **serial number**, including the **colour index** (on the guarantee or identification plate), the **name** of the part and the **part number**.

Example :

- Belfort wood stove : “**Belfort**”, model.: **134 04 11 Y**, top : **352136 EF**.

A = 1340411 Y
B = 1340411 J

C = 1340411 C
D = 1340411 I

E = 1340411 D
F = 1340411 P

G = 1340411 E

N°	Code	Description	Type	A	B	C	D	E	F	G	Qty
1	100917	Cam pin 12x20 M7		A	B	C	D	E	F	G	01
2	105123	Knob . 191B.		A	B	C	D	E	F	G	01
3	105261	Firebrick 328X70X35		A	B	C	D	E	F	G	01
4	105262	Firebrick 207X207X35		A	B	C	D	E	F	G	02
5	110404	Hinge pin 6X30		A	B	C	D	E	F	G	02
7	134258	Bushing		A	B	C	D	E	F	G	01
8	181632	Adhesive rope		A	B	C	D	E	F	G	0,90 m
9	163196	Descriptive plate		A	B	C	D	E	F	G	01
10	166003	Spring. 11x15		A	B	C	D	E	F	G	01
11	181614	Ceramic rope Ø 9,5mm		A	B	C	D	E	F	G	1,92 m
13	181615	Ceramic rope Ø 12		A	B	C	D	E	F	G	1,35 m
14	188798	Glass . 267X205		A	B	C	D	E	F	G	01
15	189103	Screw . 27x8x6		A	B	C	D	E	F	G	01
16	205368	Back panel		A	B	C	D	E	F	G	01
17	222542	Flue baffle		A	B	C	D	E	F	G	01
18	259015	Fixing plate		A	B	C	D	E	F	G	04
19	262321	Heat shield			B	C	D		F	G	01
20	300118 79.	Leg			B						04
20	300118 EF	Leg		A				E			04
20	300118 MK	Leg				C					04
20	300118 MP	Leg					D				04
20	300118 RH	Leg							F		04
20	300118 RP	Leg								G	04
21	300477	Base		A	B	C	D	E	F	G	01
22	301526 66.	Door lock						E			01
22	301526 79.	Door lock			B						01
22	301526 EF	Door lock		A							01
22	301526 MK	Door lock				C					01
22	301526 MP	Door lock					D				01
22	301526 RH	Door lock							F		01
22	301526 RP	Door lock								G	01
23	301742 79.	Air damper			B						01
23	301742 EF	Air damper		A				E			01
23	301742 MK	Air damper				C					01
23	301742 MP	Air damper					D				01
23	301742 RH	Air damper							F		01
23	301742 RP	Air damper								G	01
24	301901	Oscillating grate		A	B	C	D	E	F	G	01
25	303718 79.	Blanking plate			B						01
25	303718 EF	Blanking plate		A				E			01
25	303718 MK	Blanking plate				C					01
25	303718 MP	Blanking plate					D				01
25	303718 RH	Blanking plate							F		01
25	303718 RP	Blanking plate								G	01
26	303860 79.	Flue collar			B						01
26	303860 EF	Flue collar		A				E			01
26	303860 MK	Flue collar				C					01
26	303860 MP	Flue collar					D				01
26	303860 RH	Flue collar							F		01
26	303860 RP	Flue collar								G	01
27	306268	Back wall		A	B	C	D	E	F	G	01
28	307432	Fuel retainer		A	B	C	D	E	F	G	01
29	309870 79.	Front plate			B						01
29	309870 EF	Front plate		A				E			01
29	309870 MK	Front plate				C					01
29	309870 MP	Front plate					D				01
29	309870 RH	Front plate							F		01

N°	Code	Description	Type	A	B	C	D	E	F	G	Qty
29	309870	RP . Front plate								G . . .	01
30	309989	66. . Main door						E			01
30	309989	79. . Main door			B						01
30	309989	EF . Main door		A							01
30	309989	MK . Main door				C					01
30	309989	MP . Main door					D				01
30	309989	RH . Main door							F		01
30	309989	RP . Main door								G	01
31	310724	79. . R. side panel			B						01
31	310724	EF . R. side panel		A				E			01
31	310724	MK . R. side panel				C					01
31	310724	MP . R. side panel					D				01
31	310724	RH . R. side panel							F		01
31	310724	RP . R. side panel								G	01
32	310822	79. . L. side panel			B						01
32	310822	EF . L. side panel		A				E			01
32	310822	MK . L. side panel				C					01
32	310822	MP . L. side panel					D				01
32	310822	RH . L. side panel							F		01
32	310822	RP . L. side panel								G	01
33	315603	. . . Air duct		A	B	C	D	E	F	G	01
34	319731	. . . Grate support		A	B	C	D	E	F	G	01
35	327801	. . . Clamp		A	B	C	D	E	F	G	01
36	327902	79. . Ash-tray			B						01
36	327902	EF . Ash-tray		A				E			01
36	327902	MK . Ash-tray				C					01
36	327902	MP . Ash-tray					D				01
36	327902	RH . Ash-tray							F		01
36	327902	RP . Ash-tray								G	01
37	352136	79. . Top plate			B						01
37	352136	EF . Top plate		A				E			01
37	352136	MK . Top plate				C					01
37	352136	MP . Top plate					D				01
37	352136	RH . Top plate							F		01
37	352136	RP . Top plate								G	01
38	237423	. . . Reducing plate		A	B	C	D	E	F	G	01
39	458404	. . . Rod		A	B	C	D	E	F	G	01
40	624040	. . . Ash-pan		A	B	C	D	E	F	G	01
41	613302	60. . Air control flap		A	B	C	D	E	F	G	01
42	808001	ED . Hand tool		A	B	C	D	E	F	G	01
43	325304	. . . Reducing plate		A	B	C	D	E	F	G	02
44	161027	. . . Touch-up paint			B						01
44	161048	. . . Touch-up paint					D				01
44	161032	. . . Touch-up paint				C					01
44	161039	. . . Touch-up paint							F		01
45	988839	. . . Main door complete		A							01
45	988841	. . . Main door complete			B						01
45	988882	. . . Main door complete					D				01
45	988843	. . . Main door complete				C					01
45	988889	. . . Main door complete						E			01
45	988897	. . . Main door complete							F		01
45	988840	. . . Main door complete								G	01
46	181607	. . . Ceramic rope		A	B	C	D	E	F	G	0,50 m
47	300122	. . . High leg (optional)		A				E			04
48	142881	. . . Gasket		A	B	C	D	E	F	G	04

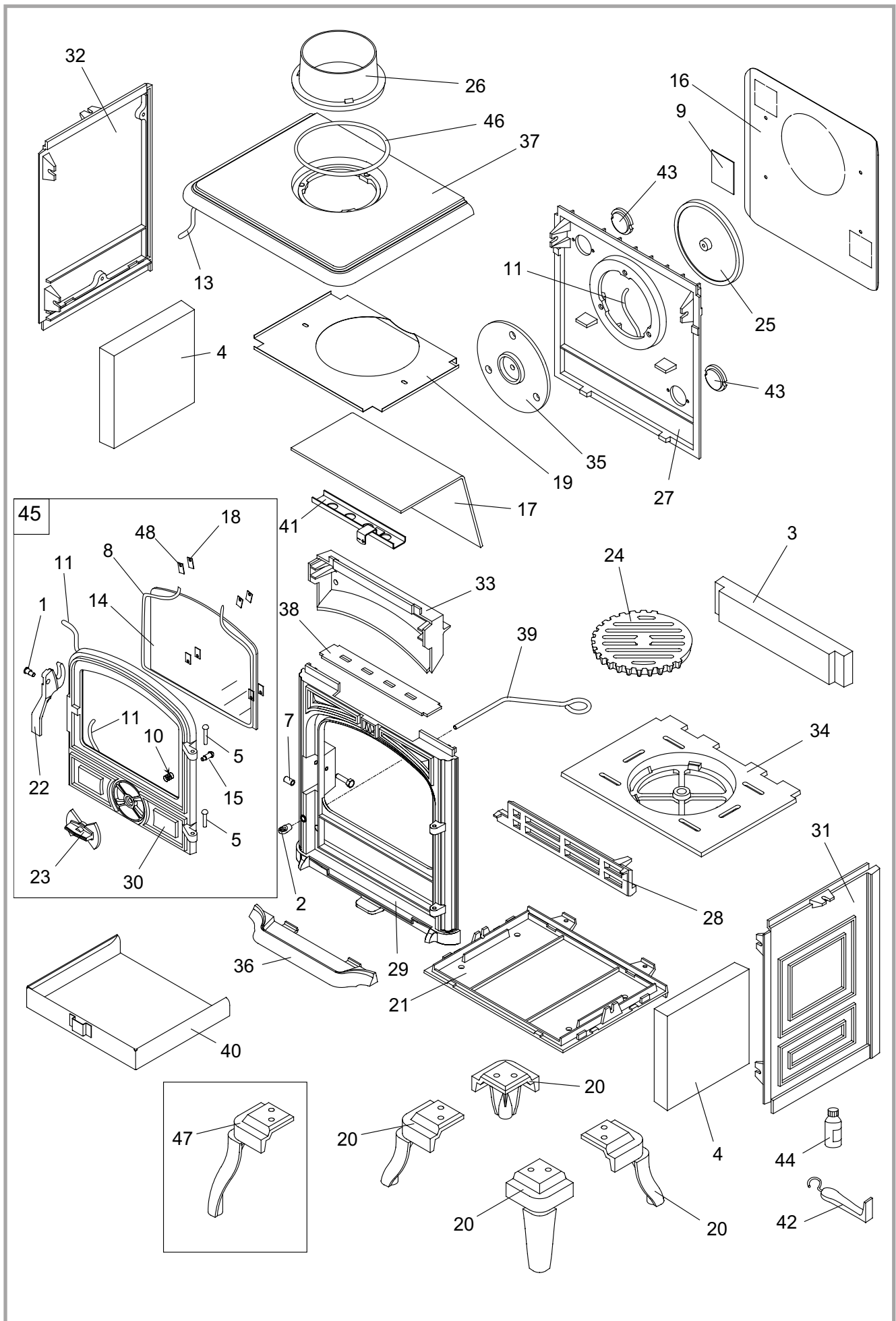


Figure 11 - Stove - exploded view