

4 Spare parts

When ordering spare parts, specify **the stove type** and **serial number**, including the **colour index** (on the guarantee or identification plate), **the name of the part** and **the part number**.

Example : Wood stove “ARDENNES”, model **134 13 15**, the colour index **Y**, top plate **352165 EF**

Y = 134 13 15 Y **B** = 134 13 15 B **E** = 134 13 15 E **N** = 134 13 15 N

L = 134 13 15 L **P** = 134 13 15 P **C** = 134 13 15 C

N°	Code	Description	Type	Y	L	B	P	E	C	N	Qty
1	207315	Back panel		Y	L	B	P	E	C	N	01
2	222575	Flue baffle		Y	L	B	P	E	C	N	01
3	236135	Sealing plate		Y	L	B	P	E	C	N	01
4	259015	Fixing plate		Y	L	B	P	E	C	N	08
5	259037	Fixing plate		Y	L	B	P	E	C	N	02
6	270414	Air control flap		Y	L	B	P	E	C	N	01
7	300132 77	Leg			L						04
7	300132 EF	Leg		Y							04
7	300132 MK	Leg							C		04
7	300134 RH	Leg					P				04
7	300132 RJ	Leg				B					04
7	300132 RP	Leg						E			04
7	300132 EP	Leg								N	04
8	300491 EF	Base		Y	L	B	P	E	C	N	01
9	301172 77	Ash pan door			L						01
9	301172 EF	Ash pan door		Y							01
9	301172 MK	Ash pan door							C		01
9	301172 RH	Ash pan door					P				01
9	301172 RJ	Ash pan door				B					01
9	301172 RP	Ash pan door						E			01
9	301172 EP	Ash pan door								N	01
10	303860 EF	Flue collar		Y	L	B	P	E	C	N	01
11	305016	Firebrick		Y	L	B	P	E	C	N	01
12	305214	Firebrick		Y	L	B	P	E	C	N	01
13	306285	Back wall		Y	L	B	P	E	C	N	01
14	309233	Grate		Y	L	B	P	E	C	N	01
15	310734 77	R. side panel			L						01
15	310734 EF	R. side panel		Y							01
15	310734 MK	R. side panel							C		01
15	310734 RH	R. side panel					P				01
15	310734 RJ	R. side panel				B					01
15	310734 RP	R. side panel						E			01
15	310734 EP	R. side panel								N	01
16	310830 77	L. side panel			L						01
16	310830 EF	L. side panel		Y							01
16	310830 MK	L. side panel							C		01
16	310830 RH	L. side panel					P				01
16	310830 RJ	L. side panel				B					01
16	310830 RP	L. side panel						E			01
16	310830 EP	L. side panel								N	01
17	315614	Air duct		Y	L	B	P	E	C	N	01
18	319738	Grate support		Y	L	B	P	E	C	N	01
19	322717	Supplementary support		Y	L	B	P	E	C	N	01
20	326602	Flue baffle		Y	L	B	P	E	C	N	01
21	327905 77	Ash pan guide			L						01
21	327905 EF	Ash pan guide		Y							01
21	327905 MK	Ash pan guide							C		01
21	327905 RH	Ash pan guide					P				01
21	327905 RJ	Ash pan guide				B					01
21	327905 RP	Ash pan guide						E			01
21	327905 EP	Ash pan guide								N	01
22	330022	Hearth plate		Y	L	B	P	E	C	N	01
23	331001	Adapter		Y	L	B	P	E	C	N	01
24	331700	Support		Y	L	B	P	E	C	N	01
25	331800 77	Main door			L						01
25	331800 EF	Main door		Y							01

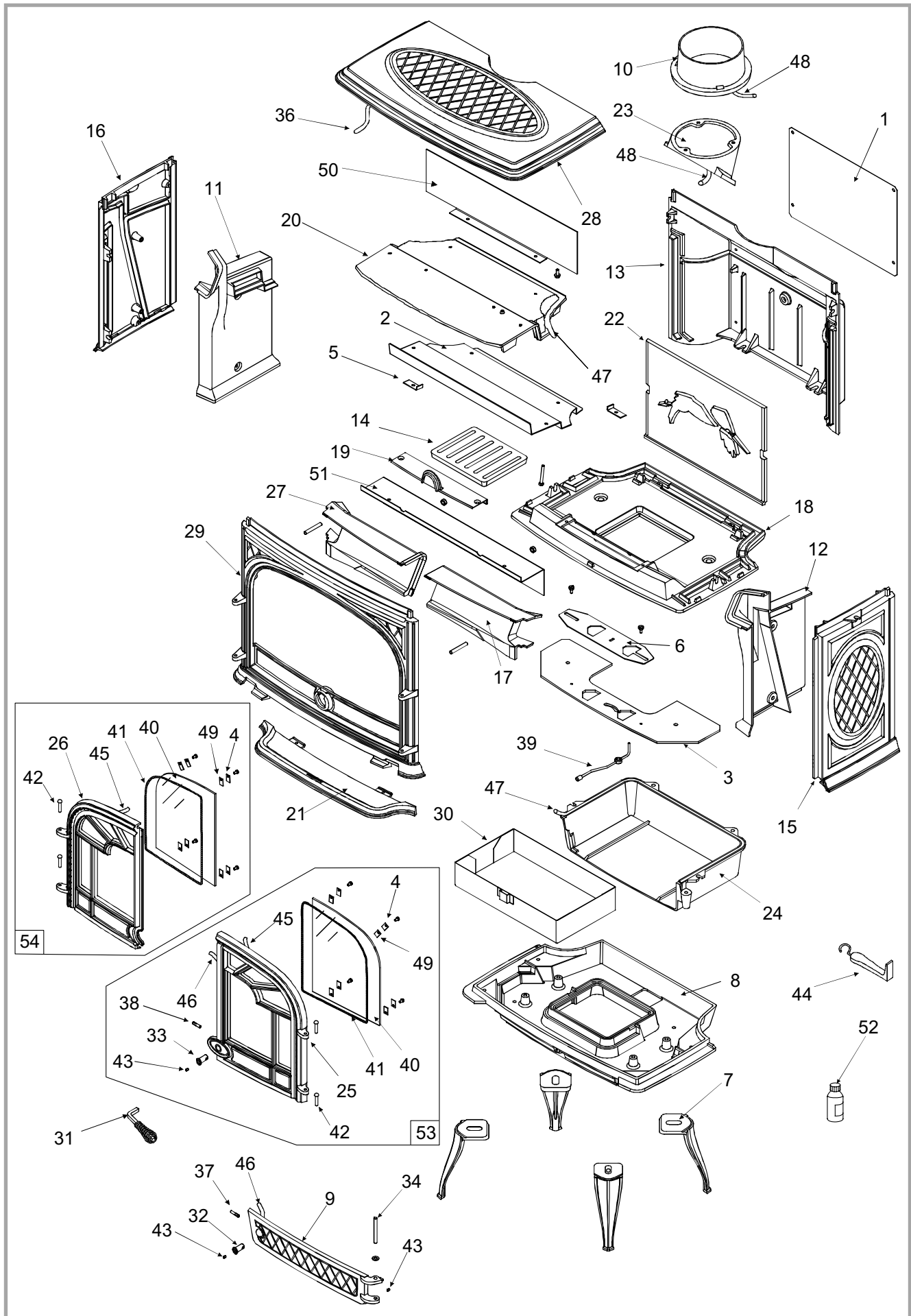


Figure 6 - Spare parts view

Y = 134 13 15 Y B = 134 13 15 B E = 134 13 15 E N = 134 13 15 N
 L = 134 13 15 L P = 134 13 15 P C = 134 13 15 C

N°	Code	Description	Type	Y	L	B	P	E	C	N	Qty
25	331800	MK	Main door						C		01
25	331800	RH	Main door				P				01
25	331800	RJ	Main door			B					01
25	331800	RP	Main door					E			01
25	331800	EP	Main door							N	01
26	331900	77	Main door		L						01
26	331900	EF	Main door	Y							01
26	331900	MK	Main door						C		01
26	331900	RH	Main door				P				01
26	331900	RJ	Main door			B					01
26	331900	RP	Main door					E			01
26	331900	EP	Main door							N	01
27	332003		Air duct	Y	L	B	P	E	C	N	01
28	352165	77	Top plate		L						01
28	352165	EF	Top plate	Y							01
28	352165	MK	Top plate						C		01
28	352165	RH	Top plate				P				01
28	352165	RJ	Top plate			B					01
28	352165	RP	Top plate					E			01
28	352165	EP	Top plate							N	01
29	359806	77	Front plate		L						01
29	359806	EF	Front plate	Y							01
29	359806	MK	Front plate						C		01
29	359806	RH	Front plate				P				01
29	359806	RJ	Front plate			B					01
29	359806	RP	Front plate					E			01
29	359806	EP	Front plate							N	01
30	624045		Ash pan	Y	L	B	P	E	C	N	01
31	158626		Handle	Y	L	B	P	E	C	N	01
32	101054		Axle	Y	L	B	P	E	C	N	01
33	101055		Axle	Y	L	B	P	E	C	N	01
34	101057		Axle	Y	L	B	P	E	C	N	01
36	105006		Gasket	Y	L	B	P	E	C	N	2 m
37	134705		Pin	Y	L	B	P	E	C	N	01
38	134711		Pin	Y	L	B	P	E	C	N	01
39	179624		Regulator shaft	Y	L	B	P	E	C	N	01
40	188829		Refractory glass	Y	L	B	P	E	C	N	02
41	181632		Gasket	Y	L	B	P	E	C	N	2 m
42	110404		Hinge pin	Y	L	B	P	E	C	N	04
43	189825		Screw	Y	L	B	P	E	C	N	02
44	808001	ED	Hand tool	Y	L	B	P	E	C	N	01
45	181634		Gasket	Y	L	B	P	E	C	N	1,64 m
46	181633		Gasket	Y	L	B	P	E	C	N	1,33 m
47	181625		Ceramic rope	Y	L	B	P	E	C	N	3,16 m
48	142316		Gasket	Y	L	B	P	E	C	N	1 m
49	142881		Gasket	Y	L	B	P	E	C	N	08
50	269501		Deflector	Y	L	B	P	E	C	N	01
51	269449		Deflector	Y	L	B	P	E	C	N	01
52	161039		Touch-up paint				P				01
53	988920		Right Complete door							N	01
53	988922		Right Complete door	Y							01
53	988924		Right Complete door		L						01
53	988926		Right Complete door			B					01
53	988928		Right Complete door				P				01
53	988930		Right Complete door					E			01
53	988932		Right Complete door						C		01
54	988744		Left Complete door							N	01
54	988923		Left Complete door	Y							01
54	988925		Left Complete door		L						01
54	988927		Left Complete door			B					01
54	988929		Left Complete door				P				01
54	988931		Left Complete door					E			01
54	988933		Left Complete door						C		01