

4 Spare parts

When ordering spare parts, specify **the stove type** and **serial number**, including the **colour index** (on the guarantee or identification plate), **the name** of the part and **the part number**.

Example : Wood stove “ARDENNES”, model **134 13 18**, the colour index **Y**, top plate **352165 EF**.

Y = 134 13 18 Y B = 134 13 18 B E = 134 13 18 E N = 134 13 18 N
 L = 134 13 18 L P = 134 13 18 P C = 134 13 18 C Q = 134 13 18 Q

N°	Code	Description	Type	Y	L	B	P	E	C	N	Q	Qty
1	100939	Axle		Y	L	B	P	E	C	N	Q	02
2	101063	Axle		Y	L	B	P	E	C	N	Q	01
3	101062	Axle		Y	L	B	P	E	C	N	Q	01
4	101057	Axle		Y	L	B	P	E	C	N	Q	01
5	105006	Gasket		Y	L	B	P	E	C	N	Q	2 m
6	110404	Hinge pin	6x30	Y	L	B	P	E	C	N	Q	04
7	134705	Pin	6x45	Y	L	B	P	E	C	N	Q	01
8	134711	Pin	6x30	Y	L	B	P	E	C	N	Q	01
9	142316	Gasket	7x3	Y	L	B	P	E	C	N	Q	1 m
10	142881	Gasket		Y	L	B	P	E	C	N	Q	08
11	158626	Handle		Y	L	B	P	E	C	N	Q	01
12	161039	Touch-up paint	(P)				P					01
13	179624	Regulator shaft		Y	L	B	P	E	C	N	Q	01
14	181625	Ceramic rope	Ø 7	Y	L	B	P	E	C	N	Q	3,16 m
15	181632	Gasket	Ø 6	Y	L	B	P	E	C	N	Q	2 m
15	181633	Gasket	Ø 10	Y	L	B	P	E	C	N	Q	0,92 m
17	181634	Gasket	Ø 15	Y	L	B	P	E	C	N	Q	1,37 m
18	188829	Refractory glass	278 X 220 X 4	Y	L	B	P	E	C	N	Q	02
19	207315	Back panel		Y	L	B	P	E	C	N	Q	01
20	222575	Flue baffle		Y	L	B	P	E	C	N	Q	01
21	236135	Sealing plate		Y	L	B	P	E	C	N	Q	01
22	259015	Fixing plate		Y	L	B	P	E	C	N	Q	08
23	259037	Fixing plate		Y	L	B	P	E	C	N	Q	02
24	269449	Deflector		Y	L	B	P	E	C	N	Q	01
25	269501	Deflector		Y	L	B	P	E	C	N	Q	01
26	270414	Air control flap		Y	L	B	P	E	C	N	Q	01
27	300132	EP Leg								N		04
27	300132	MK Leg							C			04
27	300132	RJ Leg				B						04
27	300132	RP Leg						E				04
27	300132	EF Leg		Y								04
27	300132	77 Leg			L							04
27	300134	RH Leg					P					04
27	300134	ER Leg									Q	04
28	300491	EP Base		Y	L	B	P	E	C	N	Q	01
29	301172	EP Ash pan door								N		01
29	301172	MK Ash pan door							C			01
29	301172	RH Ash pan door					P					01
29	301172	RJ Ash pan door				B						01
29	301172	RP Ash pan door						E				01
29	301172	EF Ash pan door		Y								01
29	301172	77 Ash pan door			L							01
29	301172	ER Ash pan door									Q	01
30	303860	EP Flue collar								N		01
30	303860	MK Flue collar							C			01
30	303860	RH Flue collar					P					01
30	303860	RJ Flue collar				B						01
30	303860	RP Flue collar						E				01
30	303860	EF Flue collar		Y								01
30	303860	77 Flue collar			L							01
30	303860	ER Flue collar									Q	01
31	305016	Wall		Y	L	B	P	E	C	N	Q	01
32	305214	Firebrick		Y	L	B	P	E	C	N	Q	01
33	306285	Back wall		Y	L	B	P	E	C	N	Q	01
34	309233	Grate		Y	L	B	P	E	C	N	Q	01

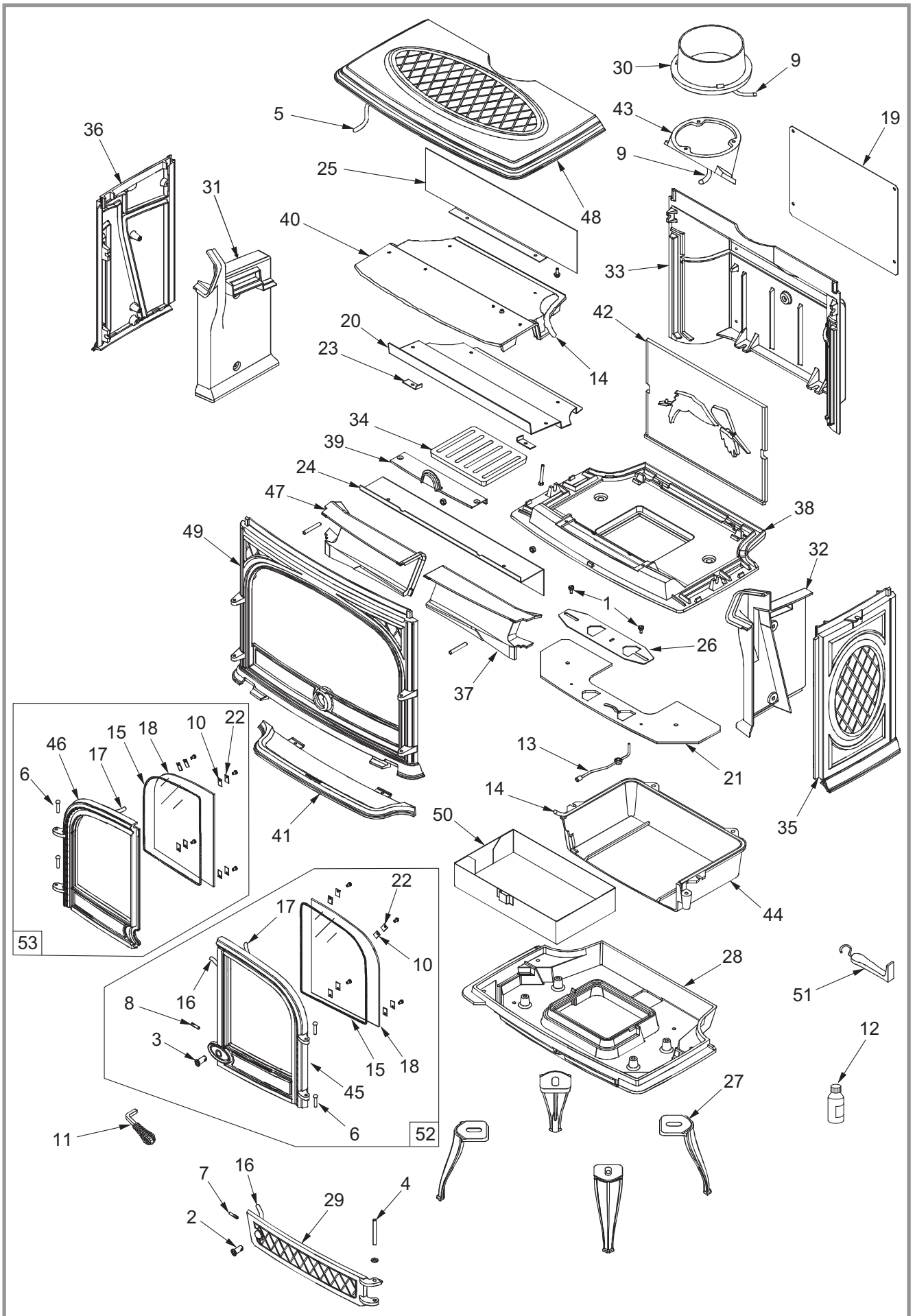


Figure 6 - Spare parts view

Y = 134 13 18 Y B = 134 13 18 B E = 134 13 18 E N = 134 13 18 N
 L = 134 13 18 L P = 134 13 18 P C = 134 13 18 C Q = 134 13 18 Q

N°	Code	Description	Y	L	B	P	E	C	N	Q	Qty
35	310734	EP R. side panel							N		01
35	310734	MK R. side panel						C			01
35	310734	RH R. side panel				P					01
35	310734	RJ R. side panel			B						01
35	310734	RP R. side panel					E				01
35	310734	EF R. side panel	Y								01
35	310734	77 R. side panel		L							01
35	310734	ER R. side panel								Q	01
36	310830	EP L. side panel							N		01
36	310830	MK L. side panel						C			01
36	310830	RH L. side panel				P					01
36	310830	RJ L. side panel			B						01
36	310830	RP L. side panel					E				01
36	310830	EF L. side panel	Y								01
36	310830	77 L. side panel		L							01
36	310830	ER L. side panel								Q	01
37	315614	Air duct	Y	L	B	P	E	C	N	Q	01
38	319738	Grate support	Y	L	B	P	E	C	N	Q	01
39	322717	Supplementary support	Y	L	B	P	E	C	N	Q	01
40	326602	Flue baffle	Y	L	B	P	E	C	N	Q	01
41	327905	EP Ash pan guide							N		01
41	327905	MK Ash pan guide						C			01
41	327905	RH Ash pan guide				P					01
41	327905	RJ Ash pan guide			B						01
41	327905	RP Ash pan guide					E				01
41	327905	EF Ash pan guide	Y								01
41	327905	77 Ash pan guide		L							01
41	327905	ER Ash pan guide								Q	01
42	330022	Hearth plate	Y	L	B	P	E	C	N	Q	01
43	331001	Adapter	Y	L	B	P	E	C	N	Q	01
44	331700	Support	Y	L	B	P	E	C	N	Q	01
45	331802	EP Main door							N		01
45	331802	MK Main door						C			01
45	331802	RH Main door				P					01
45	331802	RJ Main door			B						01
45	331802	RP Main door					E				01
45	331802	EF Main door	Y								01
45	331802	77 Main door		L							01
45	331802	ER Main door								Q	01
46	331902	EP Main door							N		01
46	331902	MK Main door						C			01
46	331902	RH Main door				P					01
46	331902	RJ Main door			B						01
46	331902	RP Main door					E				01
46	331902	EF Main door	Y								01
46	331902	77 Main door		L							01
46	331902	ER Main door								Q	01
47	332003	Air duct	Y	L	B	P	E	C	N	Q	01
48	352165	EP Top plate							N		01
48	352165	MK Top plate						C			01
48	352165	RH Top plate				P					01
48	352165	RJ Top plate			B						01
48	352165	RP Top plate					E				01
48	352165	EF Top plate	Y								01
48	352165	77 Top plate		L							01
48	352165	ER Top plate								Q	01
49	359806	EP Front plate								Q	01
49	359806	MK Front plate						C			01
49	359806	RH Front plate				P					01
49	359806	RJ Front plate			B						01
49	359806	RP Front plate					E				01
49	359806	EF Front plate	Y								01
49	359806	77 Front plate		L							01
49	359806	ER Front plate								Q	01
50	624045	Ash pan	Y	L	B	P	E	C	N	Q	01

