

4. Spare parts

When ordering spare parts, specify the **stove type** and **serial number**, including the **colour index** (on the guarantee or identification plate), the **name** of the part and the **part number**.

Example : Wood stove “Normandie Vision”, ref. **134 13 20**, color **Y**, right side panel **209027 EF**.

A = 134 13 20 Y B = 134 13 20 L

N°	Code.	Description	Type	A	B	Qty
1	200708	Inner front panel		A	B	01
2	326201	Supplementary grate		A	B	01
3	205319 60	Back panel		A	B	01
4	207704 EF	L. side panel		A		01
4	207758 57	L. side panel			B	01
5	207835 QQ	R. side panel			B	01
5	209027 EF	R. side panel		A		01
6	207911 60	Supplementary plate		A	B	01
7	228602	Square		A	B	01
8	230503 60	Square		A	B	01
9	241801 60	Magnet support		A	B	01
10	314303 60	Ash pan door		A		01
10	314303 77	Ash pan door			B	01
11	274403 60	Shim.		A	B	01
13	259015	Fixing plate		A	B	04
14	300105 60	B.L or F.R.leg		A		02
14	300105 77	B.L or F.R.leg			B	02
15	300217 60	B.R. or F.L. leg		A		02
15	300217 77	B.R. or F.L. leg			B	02
16	300408 60	Right base plate		A		01
16	300408 77	Right base plate			B	01
17	300505 60	Left base plate		A		01
17	300505 77	Left base plate			B	01
18	301504 60	Door lock		A	B	03
19	301510 59	Door lock		A		01
19	301510 64	Door lock			B	01
20	301732 60	Air damper		A	B	02
21	352166 60	Top plate		A		01
21	352166 77	Top plate			B	01
22	302741 60	Top plate shield		A		01
22	302741 77	Top plate shield			B	01
23	303507 60	Loading door		A	B	01
24	303866 60	Flue collar		A	B	01
25	305007	Wall		A	B	01
26	305206	Wall		A	B	01
27	305708	Supplementary grate		A	B	01
28	307435	Fuel retainer		A	B	01
29	309211	Wood grate		A	B	01
30	359832 60	Front plate.		A	B	01
31	331131 60	Main door		A		01
31	331131 77	Main door			B	01
31	989015	Complete door		A		01
31	989016	Complete door			B	01
32	310703 60	R. side panel		A	B	01
33	310803 60	L. side panel		A	B	01

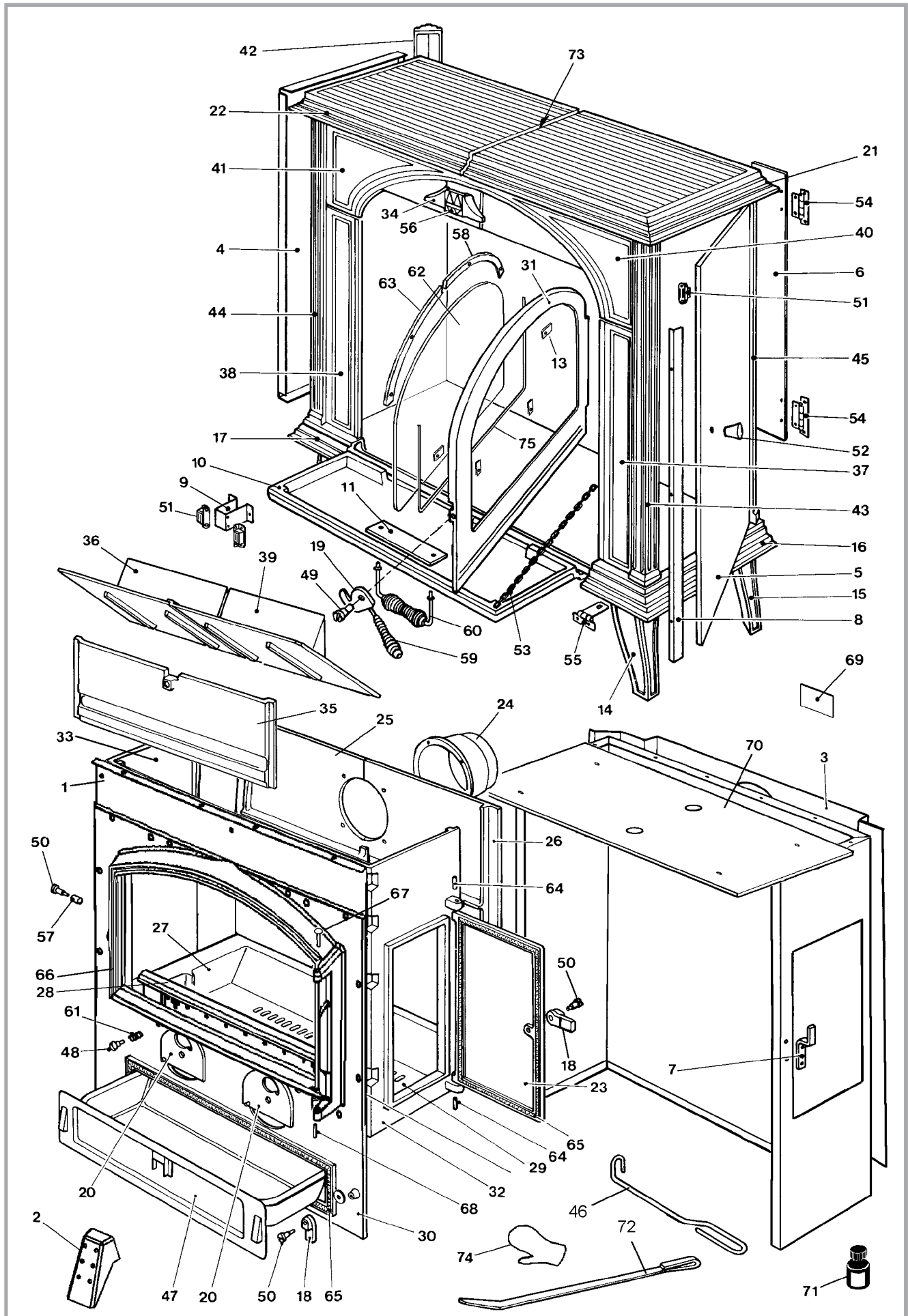


Figure 14 - Spare parts view

N°	Code.	Description	Type	A	B	Qty
34	322303	60 Coat of arms		A		01
34	322303	77 Coat of arms			B	01
35	323102	60 Wall		A	B	01
36	323206	.. Flue baffle		A	B	01
37	323506	60 Coat of arms		A		01
37	323506	77 Coat of arms			B	01
38	323603	60 Coat of arms		A		01
38	323603	77 Coat of arms			B	01
39	326600	.. Suppl. flue baffle		A	B	01
40	326900	60 R.H.S. front panel		A		01
40	326900	77 R.H.S. front panel			B	01
41	327000	60 L.H.S. front panel		A		01
41	327000	77 L.H.S. front panel			B	01
42	327100	60 Upright		A		01
42	327100	77 Upright			B	01
43	327101	60 Upright		A		01
43	327101	77 Upright			B	01
44	327103	60 Upright		A		01
44	327103	77 Upright			B	01
45	327201	60 Upright		A		01
45	327201	77 Upright			B	01
46	415505	.. Poker		A	B	01
47	624030	60 Ash-pan		A	B	01
48	100903	.. Axle	16x8x6	A	B	02
49	100917	.. Cam pin	12x20 M7	A	B	01
50	100942	.. Axle		A	B	04
51	101013	.. Magnetic catch		A	B	04
52	158618	.. Handle		A	B	01
53	109711	.. Chain		A	B	01
54	109806	.. Chain		A	B	02
55	109832	.. Hinge		A	B	02
56	122809	.. Name plate		A	B	01
57	134253	.. Bushing		A	B	01
58	318201	.. Right deflector		A	B	01
59	158541	.. Handle		A	B	01
60	158539	.. Handle		A	B	01
61	166003	.. Spring	11x15	A	B	02
62	188860	.. Refractory glass	498X265X4	A	B	01
63	320201	.. Left deflector		A	B	01
64	134701	.. Pin	5x24	A	B	02
65	181602	.. Ceramic rope	Ø 8	A	B	2,16 m
66	181614	.. Ceramic rope	Ø 9,5	A	B	1,52 m
67	110405	.. Hinge pin	6x35	A	B	01
68	400106	.. Axle		A	B	01
69	163716	.. Descriptive plate		A	B	01
70	261003	.. Heat shield			B	01
71	161025	.. Touch-up paint	(L)		B	01
72	415504	60 Poker		A	B	01
73	181604	.. Ceramic rope	10x4	A	B	0,24 m
74	134107	.. Glove		A	B	01
75	181632	.. Adhesive rope		A	B	1,35 m