

| | | | |
|---|---|-------------------------------------|--|
| <i>Fire extinguishes during use.</i> | ▣ Fuel tank is empty. | | - Fill tank. |
| | ▣ Insufficient draft. | <input checked="" type="checkbox"/> | - Call your installer. |
| <i>Flame is excessively large, smokey and sooty.</i> | ▣ Fuel adjustment made too quickly. | | - Return control knob to "1"; wait for normal combustion. (catalyser should glow red) Wait 5 to 15 minutes between each adjustment. |
| <i>Stove burns noisily, extinguishes and relights itself.</i> | ▣ Burner contains excess fuel. | <input checked="" type="checkbox"/> | - Adjust to lower setting. If problem persists call your installer. |
| | ▣ Insufficient fuel. | | - Check that the de-scaler, the regulator filter and burner pot are cleaned. |
| <i>Fire smokes.Soot build up noticed. Flame imbalance</i> | ▣ Insufficient air supply. | | - Increase fresh air supply (open door, window; add make up air supply). |
| | ▣ Downdraft or blockage in chimney. | <input checked="" type="checkbox"/> | - Check Chimney for Soot build up. clean if necessary. - Ensure chimney height is sufficient and cap is not affected by any nearby obstructions. - Room is in negative pressure. Increase fresh air supply. Check draft with draft meter and adjust if not to requirements. See page 3. |
| | ▣ Oil flow is too low on 1 setting. | <input checked="" type="checkbox"/> | - Adjust low flow rate while control is set on "1", call your installer. |
| | ▣ Stove is not level. Flame imbalance. | | - Check level. Adjust if necessary. |
| | ▣ Catalyser not centered. Uneven fuel distribution resulting in secondary air shortage. | | - Center catalyser assembly |
| | ▣ Insufficient fuel. | | - Check that the de-scaler, the regulator filter and burner pot are cleaned. |
| <i>Coke build up noticed.</i> | ▣ The draft regulator is blocked in open position | | - Unlock the draft regulator. - Check the regulator adjustment (p. 6) and refit, if necessary. |
| | ▣ Excessive air supply. | | - Adjust draft. |

4. Spare parts

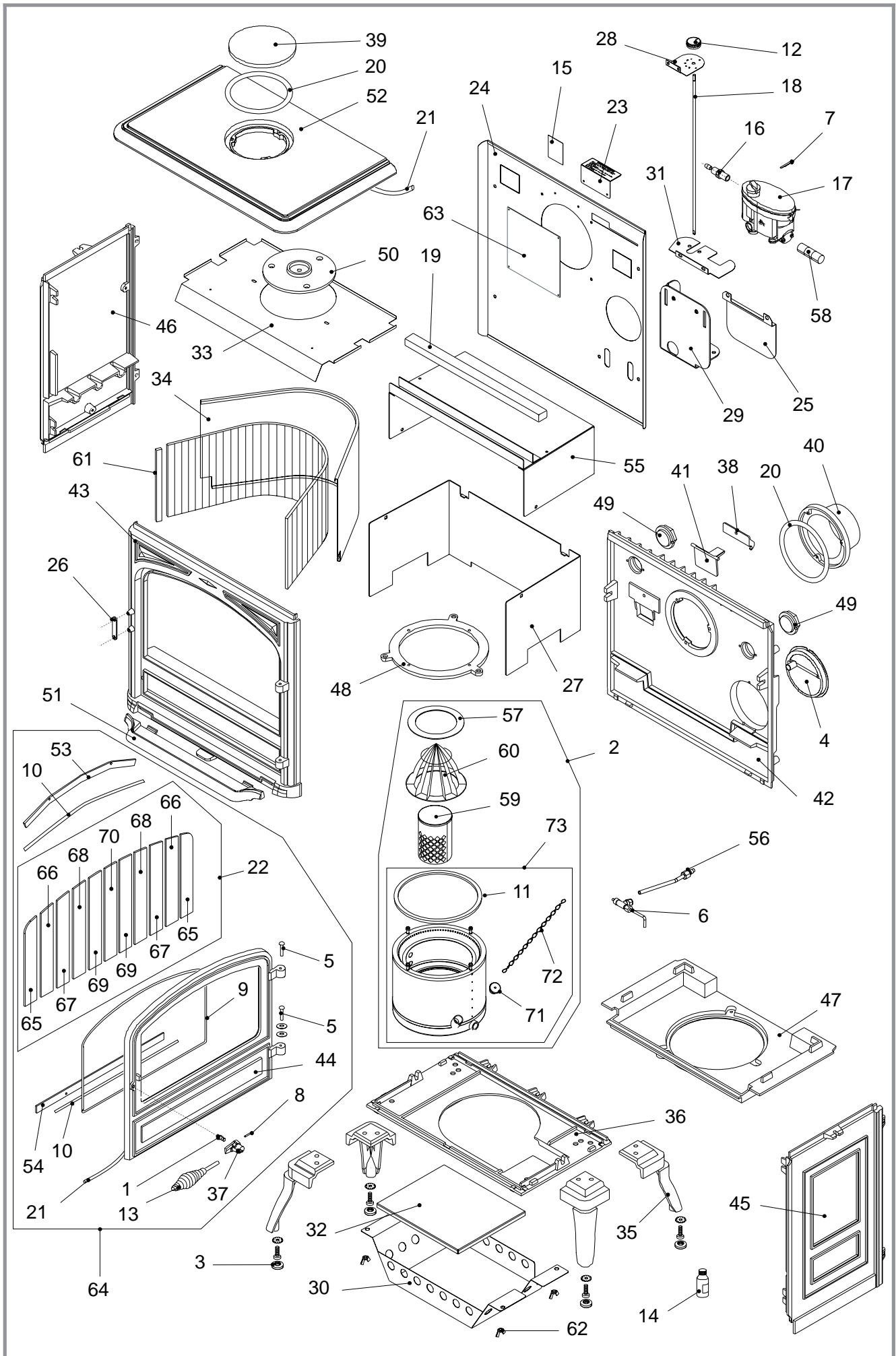
For any order of spare parts, please indicate : model number, code of the colour, description of the part, code number and colour index of the part. **Example** : Burgundy 174 10 38 L, top plate 352124-77.

A = 174 10 38 Y

B = 174 10 38 L

C = 174 10 38 K

| N° | Code | Description | Type | A | B | C | Qty |
|----|--------|-------------------|------|---|---|---|--------|
| 1 | 100956 | Axle | | A | B | C | .01 |
| 2 | 905324 | Complete burner | C5 | A | B | C | .01 |
| 3 | 109552 | Cap | | A | B | C | .04 |
| 4 | 110105 | Barometric damper | | A | B | C | .01 |
| 5 | 110405 | Hinge pin | 6x35 | A | B | C | .02 |
| 6 | 119213 | Descaler | | A | B | C | .01 |
| 7 | 134601 | Pin | 2X20 | A | B | C | .02 |
| 8 | 134749 | Pin | 4x20 | A | B | C | .01 |
| 9 | 142301 | Adhesive rope | | A | B | C | 1,32 m |
| 10 | 142316 | Gasket | 7x3 | A | B | C | 0,86 m |
| 11 | 142412 | Gasket | | A | B | C | .01 |
| 12 | 149868 | Knob | | A | B | C | .01 |
| 13 | 158541 | Handle | | A | B | C | .01 |
| 14 | 161025 | Touch-up paint | (L) | | B | | .01 |
| 14 | 161026 | Touch-up paint | (K) | | | C | .01 |
| 15 | 162449 | Descriptive plate | | A | B | C | .01 |
| 16 | 164205 | Oil-tight nut | | A | B | C | .02 |
| 17 | 165139 | Float regulator | | A | B | C | .01 |
| 18 | 179605 | Regulator shaft | | A | B | C | .01 |



| | | | | | | |
|----|--------|--|-------------|-------------|-------------|--------|
| 19 | 181600 | Ceramic rope 32x14 | A | B | C | 0,47 m |
| 20 | 181604 | Ceramic rope 10x4 | A | B | C | 1,00 m |
| 21 | 181615 | Ceramic rope Ø 12 | A | B | C | 3,16 m |
| 22 | 188791 | Refractory glass 11 PART | A | B | C | 01 |
| 23 | 202801 | Support | A | B | C | 01 |
| 24 | 205386 | Back panel | A | B | C | 01 |
| 25 | 209913 | Protector | A | B | C | 01 |
| 26 | 221200 | 66 Striking plate | A | B | C | 01 |
| 27 | 222549 | Flue baffle | A | B | C | 01 |
| 28 | 236708 | 94 Bracket | A | B | C | 01 |
| 29 | 239714 | 60 Carburettor support | A | B | C | 01 |
| 30 | 260580 | 60 Heat shield | A | B | C | 01 |
| 31 | 261811 | 60 Heat shield | A | B | C | 01 |
| 32 | 262216 | Shield | A | B | C | 01 |
| 33 | 262307 | Heat shield | A | B | C | 01 |
| 34 | 276219 | Reflector | A | B | C | 01 |
| 35 | 300122 | Leg | A | | | 04 |
| 35 | 300122 | 76 Leg | | | C | 04 |
| 35 | 300122 | 77 Leg | | B | | 04 |
| 36 | 300472 | Base | A | B | C | 01 |
| 37 | 301515 | 66 Door lock | A | B | C | 01 |
| 38 | 303301 | Bearing | A | B | C | 01 |
| 39 | 303718 | Blanking plate | A | | | 01 |
| 39 | 303718 | 76 Blanking plate | | | C | 01 |
| 39 | 303718 | 77 Blanking plate | | B | | 01 |
| 40 | 303828 | 59 Flue collar Ø 120/127 | A | | | 01 |
| 40 | 303828 | 76 Flue collar Ø 120/127 | | | C | 01 |
| 40 | 303828 | 77 Flue collar Ø 120/127 | | B | | 01 |
| 41 | 909400 | Sliding door | A | B | C | 01 |
| 42 | 306273 | Back wall | A | B | C | 01 |
| 43 | 309857 | Front plate | A | | | 01 |
| 43 | 309857 | 76 Front plate | | | C | 01 |
| 43 | 309857 | 77 Front plate | | B | | 01 |
| 44 | 309975 | Main door | A | | | 01 |
| 44 | 309975 | 76 Main door | | | C | 01 |
| 44 | 309975 | 77 Main door | | B | | 01 |
| 45 | 310723 | R. side panel | A | | | 01 |
| 45 | 310723 | 76 R. side panel | | | C | 01 |
| 45 | 310723 | 77 R. side panel | | B | | 01 |
| 46 | 310821 | L. side panel | A | | | 01 |
| 46 | 310821 | 76 L. side panel | | | C | 01 |
| 46 | 310821 | 77 L. side panel | | B | | 01 |
| 47 | 312625 | Burner support | A | B | C | 01 |
| 48 | 321903 | Rim | A | B | C | 01 |
| 49 | 325304 | Reducing plate | A | B | C | 02 |
| 50 | 327801 | Clamp | A | B | C | 01 |
| 51 | 327901 | Ash-tray | A | | | 01 |
| 51 | 327901 | 76 Ash-tray | | | C | 01 |
| 51 | 327901 | 77 Ash-tray | | B | | 01 |
| 52 | 352124 | Top plate | A | | | 01 |
| 52 | 352124 | 76 Top plate | | | C | 01 |
| 52 | 352124 | 77 Top plate | | B | | 01 |
| 53 | 276607 | 60 Glass retainer | A | B | C | 01 |
| 54 | 407204 | 60 Glass retainer | A | B | C | 01 |
| 55 | 622600 | Suppl. flue baffle | A | B | C | 01 |
| 56 | 982608 | Feed line regulator-burner | A | B | C | 01 |
| 57 | 198205 | Catalyser ring | A | B | C | 01 |
| 58 | 199204 | Regulator filter | A | B | C | 01 |
| 59 | 194402 | Catalyser body | A | B | C | 01 |
| 60 | 194401 | Catalyser cover | A | B | C | 01 |
| 61 | 72561 | Mirror glass 34x(260x20) | A | B | C | 01 |
| 61 | 199309 | Mirror glass 1x(260x20) | A | B | C | 34 |
| 62 | 122204 | Winged nut | A | B | C | 04 |
| 63 | 236129 | Blanking plate | A | B | C | 01 |
| 64 | 988847 | Complete door | A | | | 01 |
| 64 | 988848 | Complete door | | B | | 01 |
| 64 | 988849 | Complete door | | | C | 01 |
| 65 | 199310 | Refractory glass | A | B | C | 02 |
| 66 | 199311 | Refractory glass | A | B | C | 02 |
| 67 | 199312 | Refractory glass | A | B | C | 02 |
| 68 | 199313 | Refractory glass | A | B | C | 02 |
| 69 | 199314 | Refractory glass | A | B | C | 02 |
| 70 | 199315 | Refractory glass | A | B | C | 01 |
| 71 | 104708 | Plug | A | B | C | 01 |
| 72 | 109718 | Chain | A | B | C | 01 |
| 73 | 905321 | Basic burner | A | B | C | 01 |