

3.7. Maintenance of the stove

Every week : operate the de scaling lever (# 3 of ill. 7) :
 - Push the rod and turn it completely two or three times.
 - Pull the rod back for normal running of the burner.

Every 3 or 4 months : clean the burner completely.
 - Remove all the internal parts (ill. 2) and clean the burner pot.

At least once a year : clean the filters of the oil supply.

To clean the filter of the regulator :

- set the regulation knob in position 0.
- turn off the tank valve or the valve of the oil supply.

- raise the safety lever of the regulator.
- place a small container under the aperture of the filter in order to collect the oil contained in the regulator.
- remove the plug of the filter located under the regulator (ill. 7) with a screwdriver.
- take out the filter and clean it with oil using a soft brush, never use a wire-brush.
- replace the filter and replace the plug.

Clean all the enamelled panels of the casing with a dry or slightly damp soft cloth. Dry out the burner first.

Use a soft cloth to clean the front glass when the unit is running at a low burning rate.

4. List of components

For any order of spare parts, please indicate : model number, code of the colour, description of the part, code number and colour index of the part.

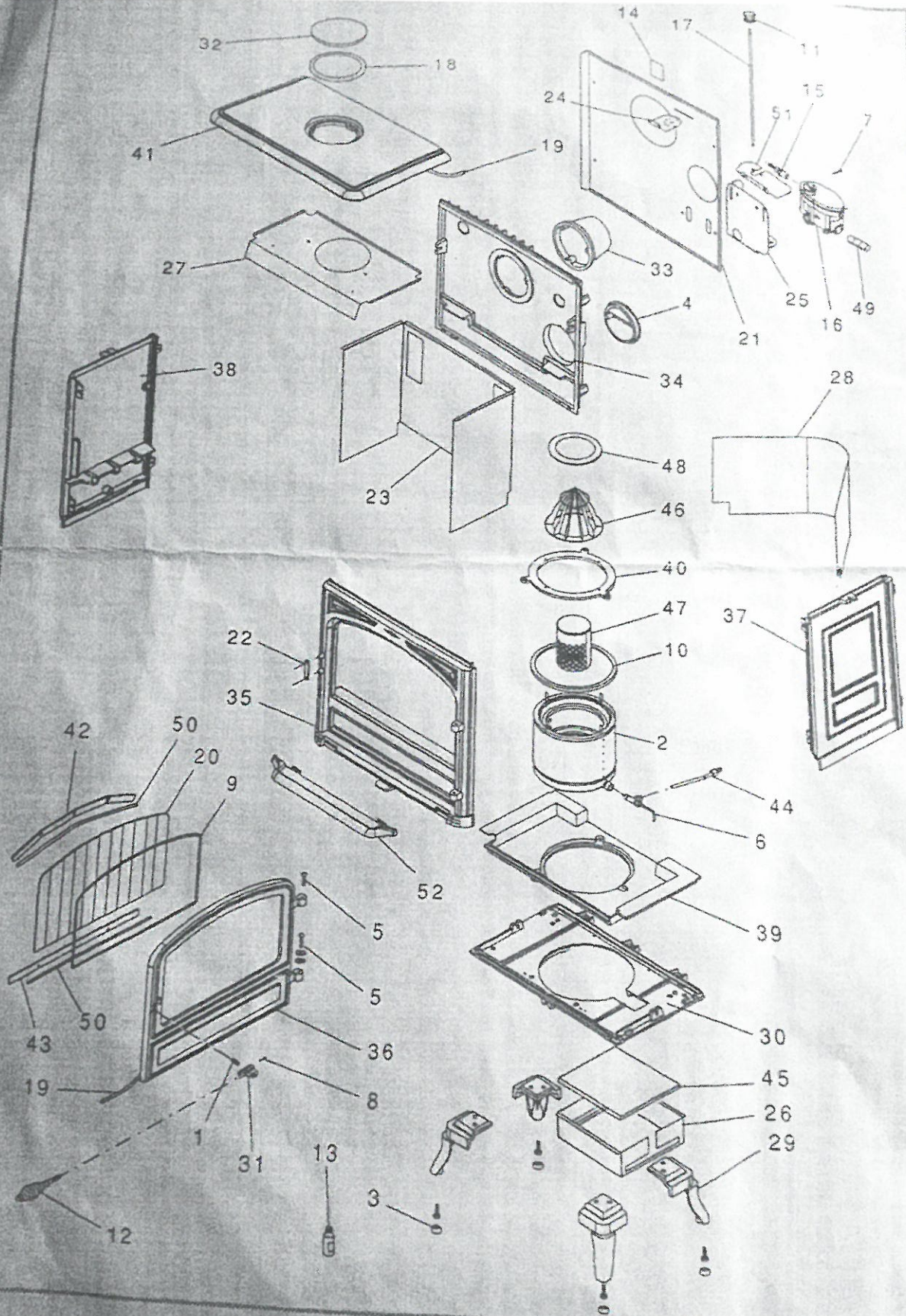
Example : Burgundy 174.07.25 L, top plate 352124.

A = 174.10.25 B = 174.10.26 Qty = Quantity

Nr	Code	Description	A	B	Qty
1	100966	Arch	A	B	01
2	105383	Burner	A	B	01
3	109550	Cap	A	B	04
4	110105	Dust regulator	A	B	01
5	110405	Hinge pin 6X35	A	B	02
6	119211	Cleaning tool	A	B	01
7	134601	Pin 2X20	A	B	01
8	134749	Pin 4X20	A	B	01
9	142301	Adhesive rope	A	B	1,32 m
10	142412	Gasket	A	B	1,00 m
11	149810	Knob	A	B	01
12	158541	Handle	A	B	01
13	161025	Touch-up paint (L)	A	B	01
14	162356	Descriptive plate	A	B	01
14	162357	Descriptive plate	A	B	01
15	164205	Oil-tight nut	A	B	02
16	165124	Float regulator Fuel	A	B	01
16	165132	Float regulator Kerosene	A	B	01
17	179605	Regulator pin	A	B	01
18	181604	Ceramic rope 10X4	A	B	1,00 m
19	181612	Ceramic rope Ø 12	A	B	3,16 m
20	188791	Refractory glasses (x11)	A	B	01
21	205367	Back panel	A	B	01
22	221200	Sinking plate	A	B	01
23	222536	Flue baffle	A	B	01
24	236708	Bracket	A	B	01
25	239714	Carburettor support	A	B	01
26	260566	Heat shield	A	B	01
27	262307	Heat shield	A	B	01
28	276216	Reflector	A	B	01
29	300118	Leg	A	B	04
30	300472	Base	A	B	01
31	301515	Door lock	A	B	01
32	303718	Blanking plate	A	B	01
33	303828	Flue collar Ø 120/125	A	B	01
34	306266	Back wall	A	B	01
35	309857	Front plate	A	B	01
36	309975	Main door	A	B	01
36	988605	Complete door	A	B	01
36	988793	Complete door	A	B	01
37	310723	R. side panel	A	B	01
38	310821	L. side panel	A	B	01

39	312625	Focusing plate	A	B	01
40	321903	Rim	A	B	01
41	352124	Top plate	A	B	01
42	407203	Glass retainer	A	B	01
43	407204	Glass retainer	A	B	01
44	982608	Pipe regulator-burner	A	B	01
45	262214	Shield	A	B	01
46	194401	Catalyser cover	A	B	01
47	194402	Catalyser body	A	B	01
48	198205	Catalyser ring	A	B	01
49	199204	Regulator filter	A	B	01
50	142316	Gasket 7X3	A	B	1,00 m
51	261811	Heat shield	A	B	01
52	327901	Ash tray	A	B	01

* Garantie
 Net appareil
 fabrication
 défectueux
 d'origine
 Certains
 du ée stée
 - ballon
 - ballon
 - corps
 - d'acier
 * V
 LA V
 de
 19
 le
 - les
 - les
 - les
 - les
 - les



Désignation p. 7

Fig. 8

Description p. 10