

4. Spare parts

When ordering spare parts, specify the stove **type** and **serial number**, including the **colour index** (on the guarantee or identification plate), **the name** of the part and **the part number**.

Example : Oil burning stove “Bourgogne” **174 10 56 Y**,
Top plate **352124 EF**

The identification plate is located on the back panel.

A = 174 10 56 L

B = 174 10 56 Y

N°	Code	Description	Type	A	B	Qty	N°	Code	Description	Type	A	B	Qty
1	100956	Axle		A	B	01	47	327901 77	Tray		A		01
2	905331	Complete burner		A	B	01	47	327901 EF	Tray			B	01
3	109552	Cap		A	B	04	48	352124 77	Top plate		A		01
4	110105	Barometric damper		A	B	01	48	352124 EF	Top plate			B	01
5	110405	Hinge pin	6x35	A	B	02	49	982608	Feed line regulator-burner		A	B	01
6	119213	Descaler		A	B	01	50	198205	Catalyser ring		A	B	01
7	446310	Protection plate		A	B	01	51	194401	Catalyser cover		A	B	01
8	134601	Pin	2x20	A	B	02	52	194402	Catalyser body		A	B	01
9	134749	Pin	4x20	A	B	01	53	905332	Burner		A	B	01
10	142301	Adhesive rope		A	B	1,32 m	54	242915 09	Oil drip tray		A		01
11	142327	Gasket	d.16	A	B	01	54	242915 10	Oil drip tray			B	01
12	149868	Knob		A	B	01	55	988869	Complete door			B	01
13	158541	Handle		A	B	01	55	988871	Complete door		A		01
14	164205	Tightness nut		A	B	02	56	199309	Mirror glass (optional) 1x(260x20)		A	B	39
15	165139	Float regulator		A	B	01	57	199204	Regulator filter		A	B	01
16	179605	Regulator shaft		A	B	01	58	104708	Plug		A	B	01
17	181604	Ceramic rope	10x4	A	B	1 m	59	109718	Chain		A	B	01
18	181615	Ceramic rope	d. 12	A	B	3,24 m	60	124412	Strut		A	B	04
19	188828	Glass		A	B	01	61	161025	Touch-up paint		a		01
20	205386	Back panel		A	B	01							
21	221200 66	Striking plate		A	B	01							
22	222565	Flue baffle		A	B	01							
23	236129	Sealing plate		A	B	01							
24	236708 94	Bracket		A	B	01							
25	239714 60	Regulator support		A	B	01							
26	259015	Fixing plate		A	B	04							
27	260591 60	Heat shield		A	B	01							
28	261811 60	Heat shield		A	B	01							
29	262222	Shield		A	B	01							
30	276231	Reflector		A	B	01							
31	300122 77	Leg		A		04							
31	300122 EF	Leg			B	04							
32	300472 77	Base		A		01							
32	300472 EF	Base			B	01							
33	301515 66	Door lock		A	B	01							
34	303301 76	Bearing		A		01							
34	303301 EF	Bearing			B	01							
35	303718 77	Blanking plate		A		01							
35	303718 EF	Blanking plate			B	01							
36	303828 59	Flue collar	Ø 120/127		B	01							
36	303828 77	Flue collar	Ø 120/127	A		01							
37	909401	Sliding door		A		01							
38	306273 79	Back wall		A		01							
38	306273 EF	Back wall			B	01							
39	309857 77	Front plate		A		01							
39	309857 EF	Front plate			B	01							
40	309975 77	Main door		A		01							
40	309975 EF	Main door			B	01							
41	310723 77	R. side panel		A		01							
41	310723 EF	R. side panel			B	01							
42	310821 77	L. side panel		A		01							
42	310821 EF	L. side panel			B	01							
43	312625	Burner support		A	B	01							
44	321903	Rim		A	B	01							
45	325304 79	Reducing plate		A		02							
45	325304 EF	Reducing plate			B	02							
46	327801	Clamp		A	B	01							

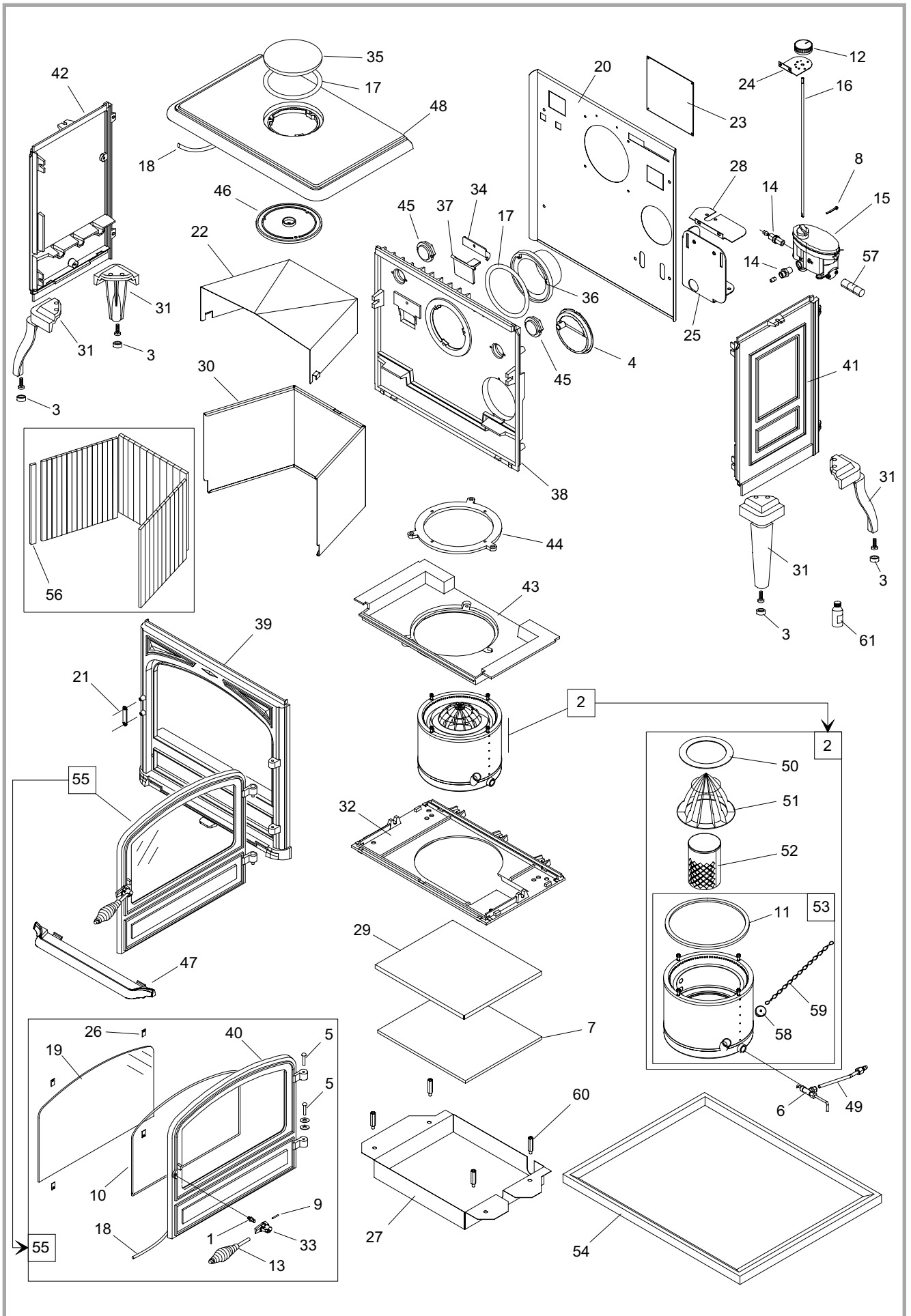


Figure 15 - Spare parts view