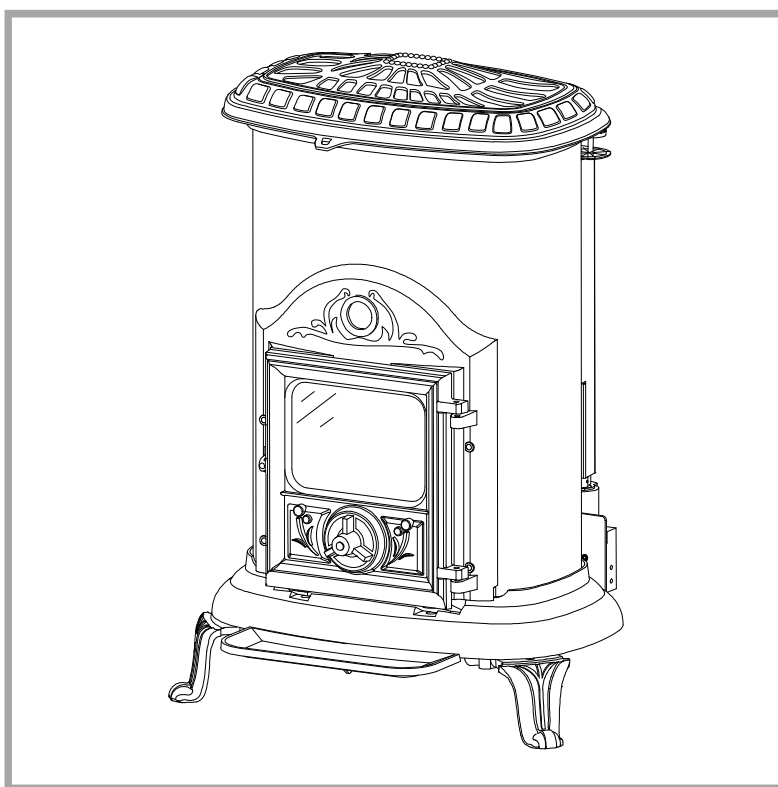


**Model : 154 07 05**

Gas stove (type B11AS)

norm NF EN 613



Description of the appliance

Installation instructions

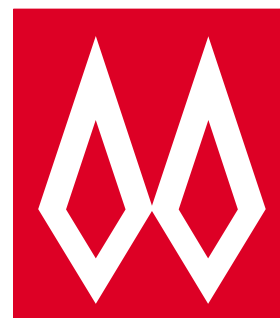
Operating instructions

Spare parts

Warranty certificate



Technical manual  
to be saved  
by the user  
for future reference



**FRANCO BELGE**

*STAUB FONDERIE*

SARL with the capital of 10 000 000 €

Head Office Address  
Administration and manufacturing  
Rue Orphée Variscotte  
59660 MERVILLE (FRANCE)

Telephone : 00 333 28 43 43 00  
Fax : 00 333 28 43 43 99

R.C.S. DUNKERQUE  
SIREN 444 821 953

Subject to modifications.

### 3.4. Maintenance

Appliance servicing must be done once a year during summer time by a qualified engineer to avoid any problem or fault during winter-time. This person will also check safety devices.

Clean the painted components and the glass with a sponge or a chamois leather to avoid dirt becoming encrusted. Do this when the appliance is cold using a suitable proprietary cleaner. Never use abrasive products.

### 3.5. Safety advice

- The stove may still be hot even when the fire has burnt out.
- This appliance produces heat and may cause severe burns if touched.

**KEEP CHILDREN AWAY.**

## 4. Spare parts

When ordering spare parts, specify **the stove type** and **serial number**, including **the colour** index (on the guarantee or identification plate), **the name** of the part and **the part number**.

Example : Gas stove " Continental ", ref. 154 07 05, color Y, top plate 352112 EF

A = 154 07 05 Y    B = 154 07 05 L    C = 154 07 05 J

N°	Code	Description . . . . .	Type . . . . .	A . . . . .	B . . . . .	C . . . . .	D . . . . .	Qty
1	100130	Adapter . . . . .		A . . . . .	B . . . . .	C . . . . .	D . . . . .	01
2	100201	Lighter. . . . .		A . . . . .	B . . . . .	C . . . . .	D . . . . .	01
3	101826	Ring . . . . .	Ø 8.	A . . . . .	B . . . . .	C . . . . .	D . . . . .	01
4	105468	Burner . . . . .		A . . . . .	B . . . . .	C . . . . .	D . . . . .	01
5	106035	Regulating gas block . . . . .		A . . . . .	B . . . . .	C . . . . .	D . . . . .	01
6	109722	Ceramic coal . . . . .	45x45x30	A . . . . .	B . . . . .	C . . . . .	D . . . . .	08
7	109730	Ceramic coal . . . . .		A . . . . .	B . . . . .	C . . . . .	D . . . . .	04
8	273601	Support . . . . .		A . . . . .	B . . . . .	C . . . . .	D . . . . .	01
9	109878	Flue baffle. . . . .		A . . . . .	B . . . . .	C . . . . .	D . . . . .	01
10	109879	Flue baffle. . . . .		A . . . . .	B . . . . .	C . . . . .	D . . . . .	01
11	110404	Hinge pin . . . . .	6x30	A . . . . .	B . . . . .	C . . . . .	D . . . . .	04
12	124454	Strut . . . . .		A . . . . .	B . . . . .	C . . . . .	D . . . . .	02
13	139614	Injector NG . . . . .	82/1050	A . . . . .	B . . . . .	C . . . . .	D . . . . .	01
14	142316	Gasket . . . . .	7x3.	A . . . . .	B . . . . .	C . . . . .	D . . . . .	1,20 m
15	142881	Gasket . . . . .		A . . . . .	B . . . . .	C . . . . .	D . . . . .	02
16	149868	Knob. . . . .		A . . . . .	B . . . . .	C . . . . .	D . . . . .	01
17	162869	Descriptive plate . . . . .		A . . . . .	B . . . . .	C . . . . .	D . . . . .	01
18	179625	Regulator shaft . . . . .		A . . . . .	B . . . . .	C . . . . .	D . . . . .	01
19	181617	Ceramic rope. . . . .	15x2	A . . . . .	B . . . . .	C . . . . .	D . . . . .	3,20 m
20	181625	Ceramic rope . . . . .	Ø 7.	A . . . . .	B . . . . .	C . . . . .	D . . . . .	0,72 m
21	181632	Gasket . . . . .	Ø 6.	A . . . . .	B . . . . .	C . . . . .	D . . . . .	0,76 m
22	182778	Feed line . . . . .		A . . . . .	B . . . . .	C . . . . .	D . . . . .	01
23	182787	Pilot line. . . . .		A . . . . .	B . . . . .	C . . . . .	D . . . . .	01
24	188314	Pilot . . . . .		A . . . . .	B . . . . .	C . . . . .	D . . . . .	01
25	188786	Refractory glass . . . . .	220X159X4	A . . . . .	B . . . . .	C . . . . .	D . . . . .	01
26	202815	Support . . . . .		A . . . . .	B . . . . .	C . . . . .	D . . . . .	01
27	207313	60 Back panel . . . . .		A . . . . .	B . . . . .	C . . . . .	D . . . . .	01
28	217132	21 Shell. . . . .		A . . . . .	B . . . . .	C . . . . .	D . . . . .	01
29	222567	Flue baffle. . . . .		A . . . . .	B . . . . .	C . . . . .	D . . . . .	01
30	222616	Suppl. flue baffle . . . . .		A . . . . .	B . . . . .	C . . . . .	D . . . . .	01
31	228615	Square . . . . .		A . . . . .	B . . . . .	C . . . . .	D . . . . .	01
32	236518	60 Burner support . . . . .		A . . . . .	B . . . . .	C . . . . .	D . . . . .	01
33	237009	10 Support . . . . .		A . . . . .	B . . . . .	C . . . . .	D . . . . .	01
34	238002	Support . . . . .		A . . . . .	B . . . . .	C . . . . .	D . . . . .	01
35	259027	Fixing plate . . . . .		A . . . . .	B . . . . .	C . . . . .	D . . . . .	03
36	262610	Heat shield . . . . .		A . . . . .	B . . . . .	C . . . . .	D . . . . .	01
37	276008	Plate. . . . .		A . . . . .	B . . . . .	C . . . . .	D . . . . .	01
38	300120	EF Leg . . . . .		A . . . . .				03
38	300120	77 Leg . . . . .			B . . . . .			03
38	300120	79 Leg. . . . .				C . . . . .		03
38	300120	MK Leg . . . . .					D . . . . .	03
39	300492	EF Base. . . . .		A . . . . .				01

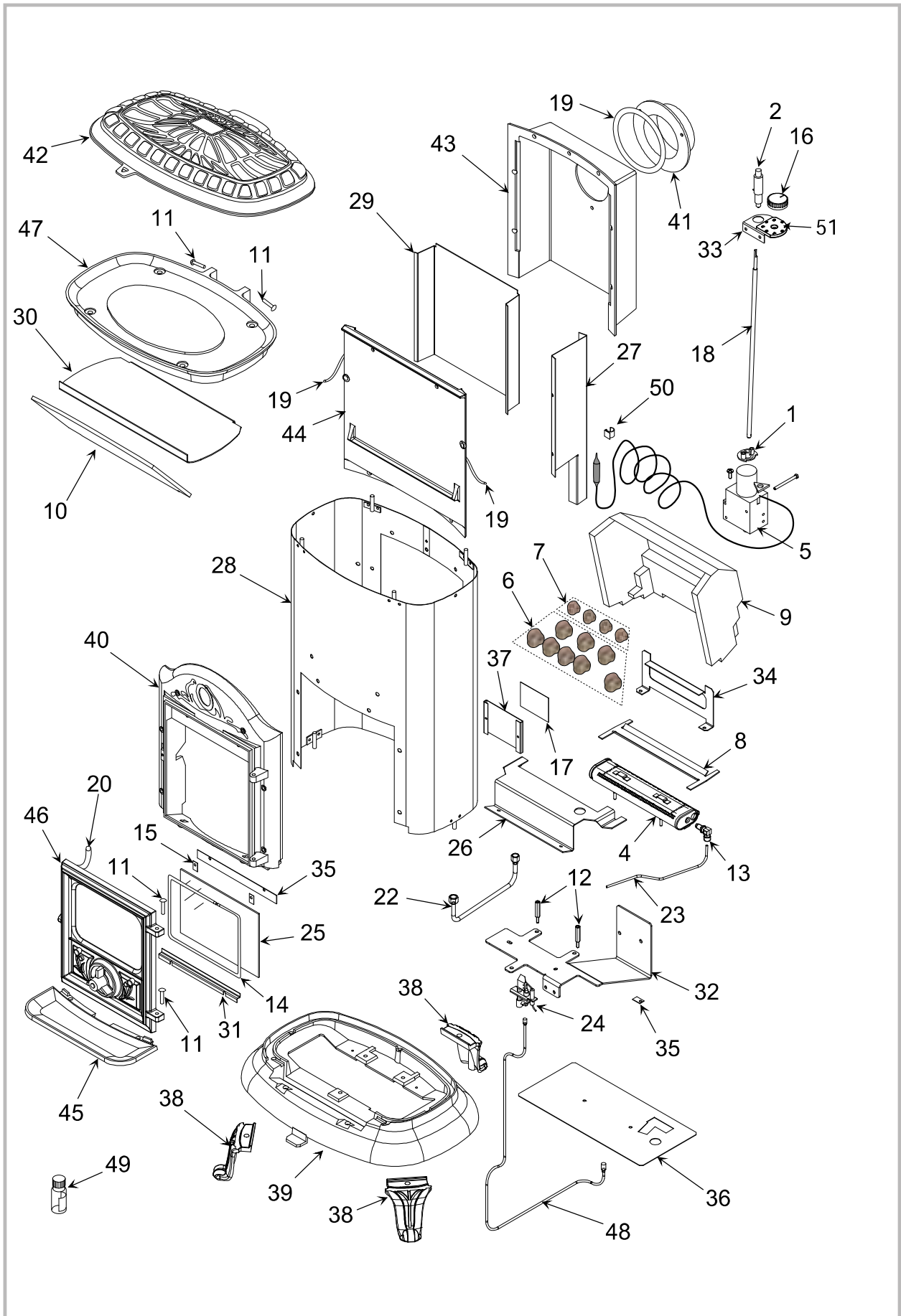


Figure 9 - Spare parts view

A = 154 07 05 Y    B = 154 07 05 L    C = 154 07 05 J    D = 154 07 05 C

N°	Code	Description	Type	A	B	C	D	Qty
40	301038	EF Frame		A				01
40	301038	77 Frame			B			01
40	301038	79 Frame				C		01
40	301038	MK Frame					D	01
41	303851	60 Flue collar		A	B	C	D	01
42	313509	EF Cover		A				01
42	313509	77 Cover			B			01
42	313509	79 Cover				C		01
42	313509	MK Cover					D	01
43	321805	Draught diverter		A	B	C	D	01
44	323215	Flue baffle		A	B	C	D	01
45	327900	EF Ash pan guide		A				01
45	327900	77 Ash pan guide			B			01
45	327900	79 Ash pan guide				C		01
45	327900	MK Ash pan guid					D	01
46	331117	EF Main door		A			D	01
46	331117	77 Main door			B			01
46	331117	79 Main door				C		01
46	331117	MK Main door					D	01
47	352112	EF Top plate		A				01
47	352112	77 Top plate			B			01
47	352112	79 Top plate				C		01
47	352112	MK Top plate					D	01
48	109187	Cable		A	B	C	D	1,00 m
49	161025	Touch-up paint			B			01
49	161027	Touch-up paint				C		01
49	161032	Touch-up paint					D	01
50	110334	Bulb attachment		A	B	C	D	01
51	325202	Knob		A	B	C	D	01