

4. Spare parts

When ordering spare parts, specify the stove type and serial number, including the colour index, the name of the part and the part number, including the colour index.

Example :

"Belfort" stove, Ref.: **154 05 06 Y**, top **352136 EF**.

* Colour index

A : 154 05 06Y = *EF B : 154 05 07Y = *EF
 C : 154 05 06J = *79 D : 154 05 06K = *79
 E : 154 05 06C = *MJ F : 154 05 07J = *MJ
 G : 154 05 07K = *MK H : 154 05 07C = *MK

N°	Code	Description	Type	A	B	C	D	E	F	G	H	Qty
1	100917	Cam pin	12x20 M7	A	B	C	D	E	F	G	H	01
2	105709	Biconical coupling	Ø 4	A	B	C	D	E	F	G	H	01
3	110404	Hinge pin	6x30	A	B	C	D	E	F	G	H	02
4	113105	Male spanner		A	B	C	D	E	F	G	H	01
5	122204	Winged nut	diam. 8	A	B	C	D	E	F	G	H	01
6	122426	Nut		A	B	C	D	E	F	G	H	01
7	122427	Nut		A	B	C	D	E	F	G	H	01
8	122701	Nut		A	B	C	D	E	F	G	H	01
9	124373	Electrode		A	B	C	D	E	F	G	H	01
10	124412	Strut		A	B	C	D	E	F	G	H	01
11	134258	Bushing		A	B	C	D	E	F	G	H	01
12	139596	Injector LPG	18/120	A	B	C	D	E	F	G	H	01
12	139597	Injector NG	18/280	A	B	C	D	E	F	G	H	01
13	139615	Injector LPG		A	B	C	D	E	F	G	H	01
13	139610	Injector NG		A	B	C	D	E	F	G	H	01
14	142301	Adhesive rope		A	B	C	D	E	F	G	H	0,87 m
15	142429	Gasket		A	B	C	D	E	F	G	H	01
16	142437	Gasket		A	B	C	D	E	F	G	H	01
18	159014	Test nipple		A	B	C	D	E	F	G	H	01
19	162569	Descriptive plate		A	B	C	D	E	F	G	H	01
19	162570	Descriptive plate		A	B	C	D	E	F	G	H	01
20	164329	Biconical coupling	diam. 4	A	B	C	D	E	F	G	H	01
21	166745	Gas valve + piezo		A	B	C	D	E	F	G	H	01
22	179225	Thermocouple		A	B	C	D	E	F	G	H	01
23	181614	Ceramic rope	d. 9,5	A	B	C	D	E	F	G	H	1,92 m
24	181615	Ceramic rope	d. 12	A	B	C	D	E	F	G	H	1,85 m
25	142316	Gasket	7x3	A	B	C	D	E	F	G	H	1,19 m
26	187114	Double coupling	diam. 8	A	B	C	D	E	F	G	H	01
27	188318	Pilot		A	B	C	D	E	F	G	H	01
28	188798	Glass	267x205	A	B	C	D	E	F	G	H	01
29	189825	Screw	M5x6	A	B	C	D	E	F	G	H	01
30	189849	Screw	M6x16	A	B	C	D	E	F	G	H	01
31	236007	Control plate		A	B	C	D	E	F	G	H	01
32	259015	Fixing plate		A	B	C	D	E	F	G	H	04
33	269426	Deflector		A	B	C	D	E	F	G	H	01
34	276006	Plate		A	B	C	D	E	F	G	H	01
35	300118	MJ Leg		A	B	C	D	E	F	G	H	04
35	300118	MK Leg		A	B	C	D	E	F	G	H	04
35	300118	EF Leg		A	B	C	D	E	F	G	H	04
35	300118	79 Leg		A	B	C	D	E	F	G	H	04
36	300484	Base		A	B	C	D	E	F	G	H	01
37	301541	MJ Door lock		A	B	C	D	E	F	G	H	01
37	301541	MK Door lock		A	B	C	D	E	F	G	H	01
37	301541	EF Door lock		A	B	C	D	E	F	G	H	01
37	301541	79 Door lock		A	B	C	D	E	F	G	H	01
38	303718	MJ Blanking plate		A	B	C	D	E	F	G	H	01
38	303718	MK Blanking plate		A	B	C	D	E	F	G	H	01
38	303718	EF Blanking plate		A	B	C	D	E	F	G	H	01
38	303718	79 Blanking plate		A	B	C	D	E	F	G	H	01
39	303871	EF Flue collar		A	B	C	D	E	F	G	H	01
40	306268	EF Back wall		A	B	C	D	E	F	G	H	01
41	307437	EF Fuel retainer		A	B	C	D	E	F	G	H	01
42	309886	MJ Front plate		A	B	C	D	E	F	G	H	01
42	309886	MK Front plate		A	B	C	D	E	F	G	H	01
42	309886	EF Front plate		A	B	C	D	E	F	G	H	01
42	309886	79 Front plate		A	B	C	D	E	F	G	H	01
43	309997	MJ Main door		A	B	C	D	E	F	G	H	01
43	309997	MK Main door		A	B	C	D	E	F	G	H	01
43	309997	EF Main door		A	B	C	D	E	F	G	H	01
43	309997	79 Main door		A	B	C	D	E	F	G	H	01
44	310725	MJ R. side panel		A	B	C	D	E	F	G	H	01
44	310725	MK R. side panel		A	B	C	D	E	F	G	H	01
44	310725	EF R. side panel		A	B	C	D	E	F	G	H	01
44	310725	79 R. side panel		A	B	C	D	E	F	G	H	01
45	310823	MJ L. side panel		A	B	C	D	E	F	G	H	01
45	310823	MK L. side panel		A	B	C	D	E	F	G	H	01

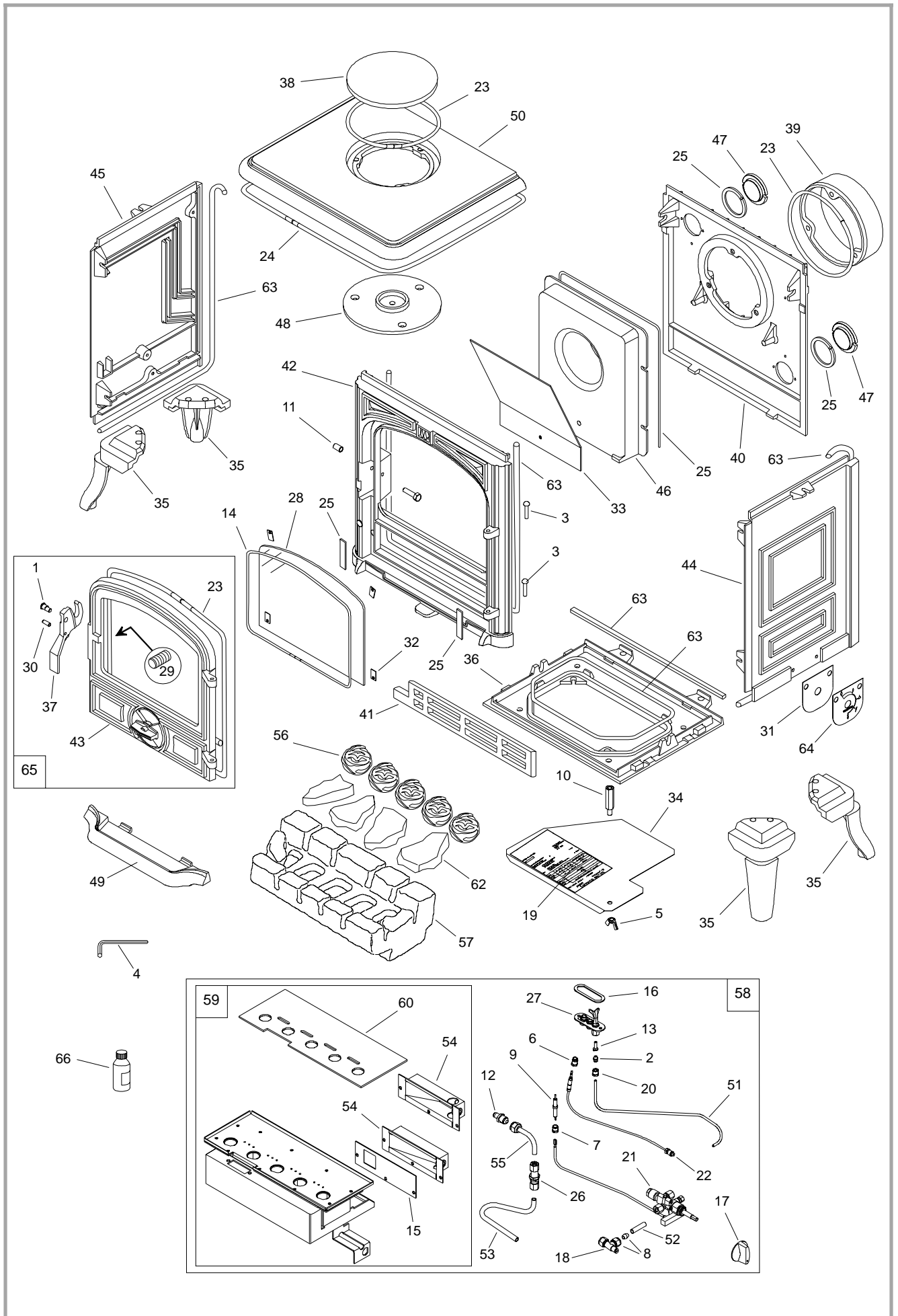


Figure 11

45	310823	EF	L. side panel	A	B								01
45	310823	79	L. side panel			C		F	G				01
46	315608		Air duct	A	B	C	D	E	F	G	H		01
47	325304	EF	Reducing plate	A	B	C	D	E	F	G	H		02
48	327801		Clamp	A	B	C	D	E	F	G	H		01
49	327902	MJ	Tray				D			G			01
49	327902	MK	Tray					E			H		01
49	327902	EF	Tray	A	B								01
49	327902	79	Tray			C		F	G				01
50	352136	MJ	Top plate				D			G			01
50	352136	MK	Top plate					E			H		01
50	352136	EF	Top plate	A	B								01
50	352136	79	Top plate			C		F	G				01
51	465015		Pilot line	A	B	C	D	E	F	G	H		01
52	467527		Test line	A	B	C	D	E	F	G	H		01
53	467529		Pipe	A	B	C	D	E	F	G	H		01
54	974600	60	Injector support NG	A		C	D	E					01
54	974601	60	Injector support LPG		B				F	G	H		01
55	982634		Pipe	A	B	C	D	E	F	G	H		01
56	109723		Ceramic coals (LF 5)	A	B	C	D	E	F	G	H		05
57	174651		Coal support	A	B	C	D	E	F	G	H		01
58	905917		Complete burner NG	A		C	D	E					01
58	905919		Complete burner LPG		B				F	G	H		01
59	905916		Burner NG	A		C	D	E					01
59	905918		Burner LPG		B				F	G	H		01
60	142436		Gasket	A	B	C	D	E	F	G	H		01
61	178067		Vent terminal	A	B	C	D	E	F	G	H		01
62	109724		Ceramic coals (LF 13)	A	B	C	D	E	F	G	H		04
63	181606		Ceramic rope 10 x 4	A	B	C	D	E	F	G	H	3,67 m	
64	158230		Control plate	A	B	C	D	E	F	G	H		01
65	988861		Complete door	A	B								01
65	988862		Complete door			C		F	G				01
65	988863		Complete door				D			G			01
65	988864		Complete door					E			H		01
66	161027		Touch-up paint			C		F	G				01
66	161026		Touch-up paint				D			G			01
66	161032		Touch-up paint					E			H		01

