

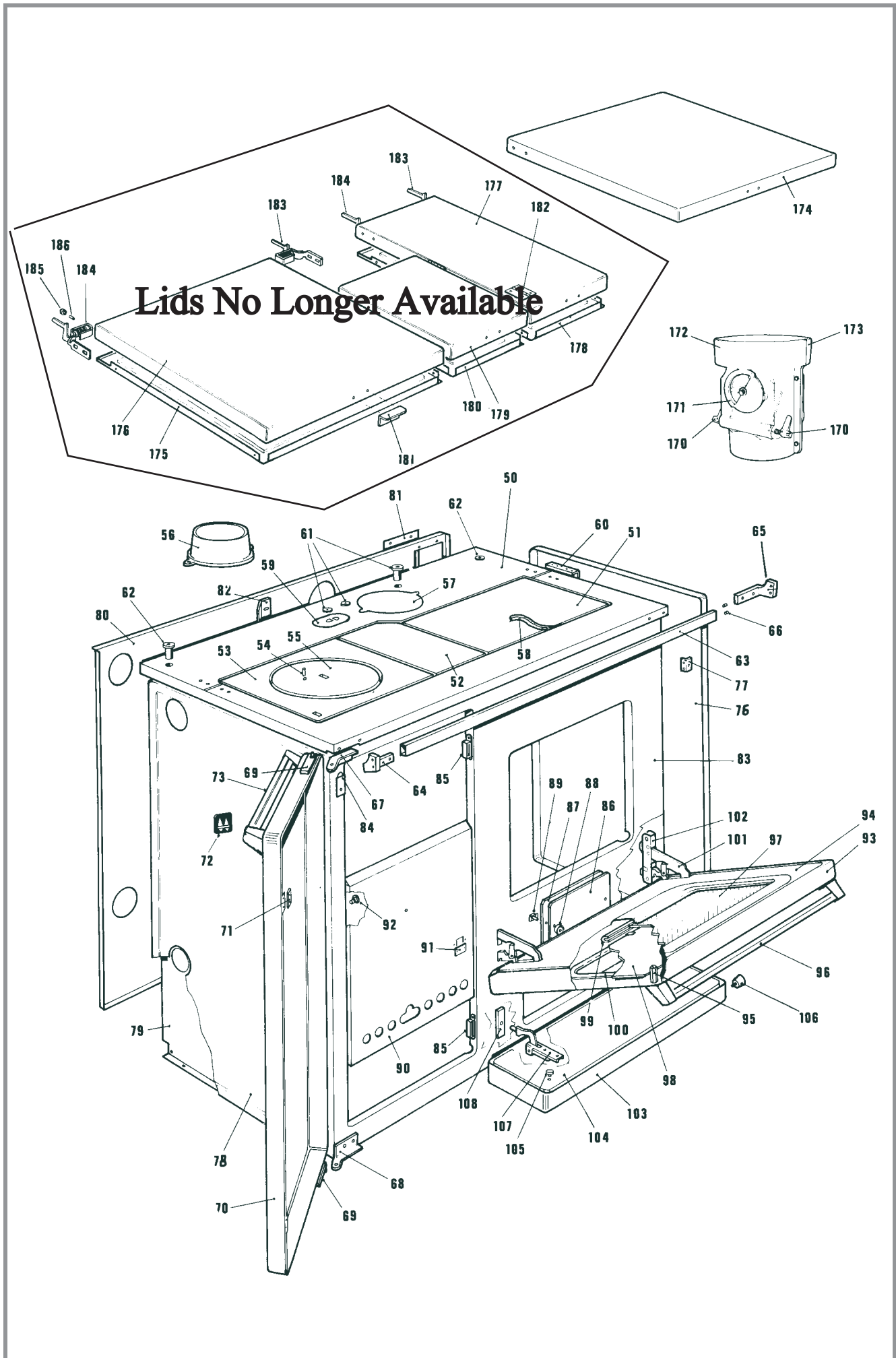
## 4. Spare parts

When ordering spare parts, specify the appliance type and serial number, including the colour index (on the guarantee or identification plate), the name of the part and the part number.

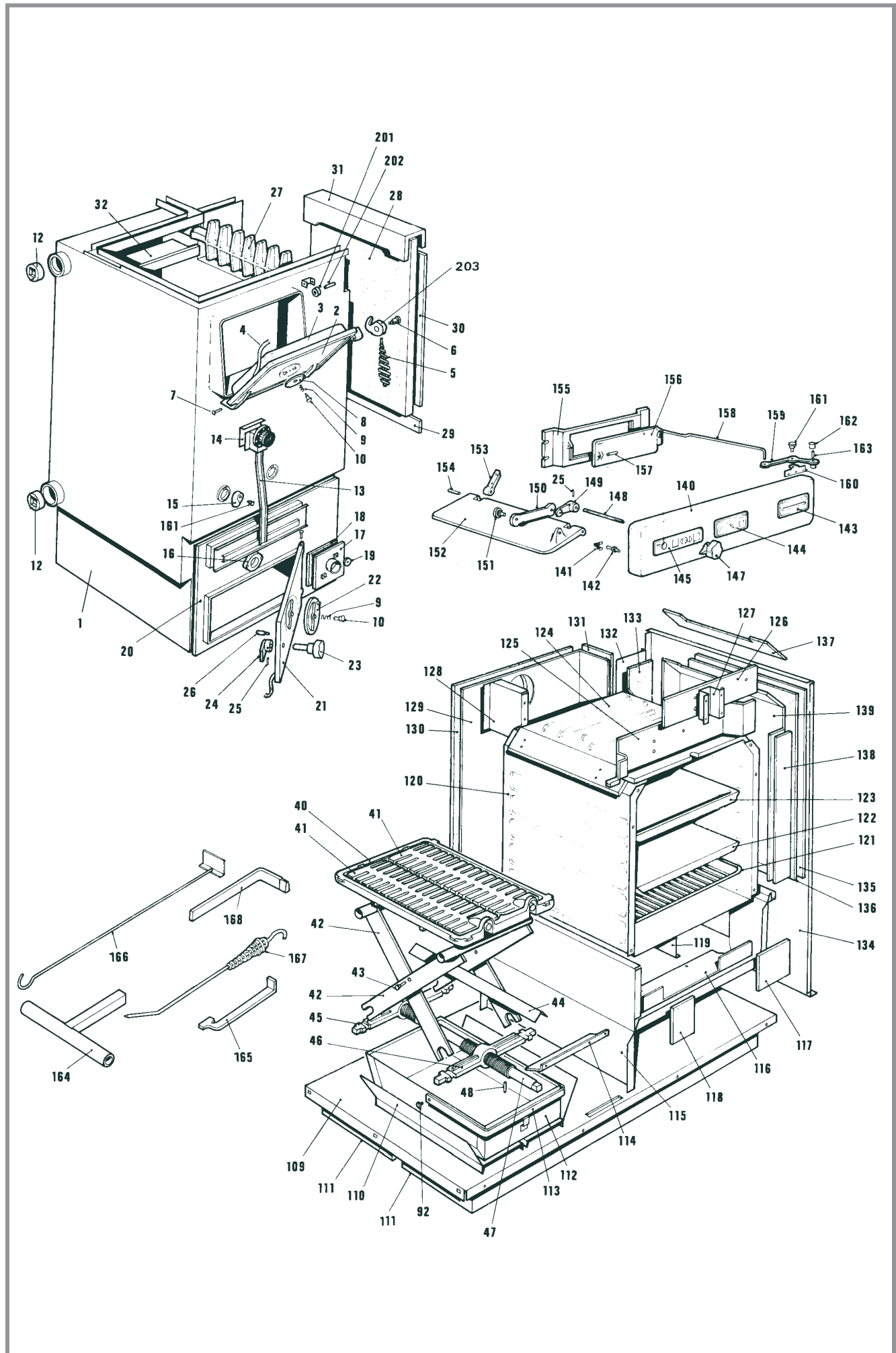
Example : Cooker, ref : **82.914 A**, Front panel **652566 QV**.

A = **82.914 A**    B = **82 914 B**  
C = **82 916 A**    D = **82 916 B**

N°	Code	Description	Type	A	B	C	D	
0	135090	Lubricant compound		A	B	C	D	1
1	911900	Water jacket		A	B			1
1	911901	Water jacket				C	D	1
2	309927	60 Main door		A	B	C	D	1
2	981600	Main door		A	B	C	D	1
3	314605	60 Inner panel		A	B	C	D	1
4	181602	Ceramic rope	Ø 8	A	B	C	D	3,90 m
5	158542	Handle		A	B	C	D	1
6	100954	Axle		A	B	C	D	1
7	110402	Hinge pin	6x30	A	B	C	D	4
8	301713	60 Air damper		A	B	C	D	1
9	166003	Spring	11x15	A	B	C	D	2
10	189103	Screw	27x8x6	A	B	C	D	2
13	179010	Thermostat		A	B	C	D	1
14	261802	Heat shield		A	B	C	D	1
15	320605	60 Sliding door		A	B	C	D	2
16	325301	60 Reducing plate		A	B	C	D	1
17	305913	60 Access cover		A	B	C	D	1
18	142335	Gasket	105x105x3	A	B	C	D	1
19	105104	Nut		A	B	C	D	2
20	300806	60 Frame		A	B	C	D	1
21	301139	60 Ash pan door		A	B	C	D	1
21	988801	Complete door		A	B	C	D	1
22	301711	60 Air damper		A	B	C	D	1
23	446300	Knob		A	B	C	D	1
24	301509	Door lock		A	B	C	D	1
25	134750	Pin	4x26	A	B	C	D	2
26	100905	Axle		A	B	C	D	1
27	326700	Flue guard		A	B			1
27	326701	Flue guard				C	D	1
28	105221	Firebrick		A	B			1
30	157522	Insulated plate		A	B			1
31	321002	Firebrick fixation		A	B			1
32	302726	Top plate shield		A	B			1
40	319705	Grate support		A	B	C	D	1
41	306714	Oscillating grate		A	B	C	D	2
42	867700	60 Cross piece		A	B	C	D	2
43	100951	Axle		A	B	C	D	2
44	208300	Screen		A	B	C	D	1
45	922700	Cast iron nut		A	B	C	D	1
46	922701	Cast iron nut		A	B	C	D	1
47	189114	Threaded lifting bar		A	B	C	D	1
48	134757	Pin		A	B	C	D	2
50	302193	Top plate		A	B	C	D	1
50	702113	80 Top plate		A	B	C	D	1
51	302414	Top plate		A	B	C	D	1
52	302524	Removable top plate		A	B	C	D	1
53	302226	Removable top plate		A	B	C	D	1
54	189118	Screw	Ø 10	A	B	C	D	1
55	303617	Top plate		A	B	C	D	1
56	303819	60 Flue collar		A	B	C	D	1
57	303714	Blanking plate		A	B	C	D	1
59	302604	Access cover		A	B	C	D	1
60	211900	Clamp		A	B	C	D	2
61	132750	Tight hinge support		A	B	C	D	3
62	132751	Hinge support		A	B	C	D	2
63	164558	Decorativr bar		A	B	C	D	1
64	325002	60 Trim support		A	B	C	D	1
65	324902	60 Trim support		A	B	C	D	1
66	100940	Axle		A	B	C	D	4
67	273206	60 Hinge		A	B	C	D	1
68	273406	60 Hinge		A	B	C	D	1
69	273508	60 Hinge		A	B	C	D	2
70	652566	45 Front panel			B		D	1
70	652566	QV Front panel		A		C		1
71	134304	Striking plate		A	B	C	D	2
72	122807	Name plate		A	B	C	D	1
73	158761	Handle		A	B	C	D	1
76	207833	25 R. side panel		A		C		1
76	207833	30 R. side panel			B		D	1
77	228000	Square		A	B	C	D	4
78	207755	25 L. side panel		A		C		1
78	207755	30 L. side panel			B		D	1
79	208802	Inner panel		A	B	C	D	1
80	204145	Back panel		A	B	C	D	1
81	237402	Reducing plate		A	B	C	D	2



82	204201	Supplementary plate	A	B	C	D	1
83	200331	20 Front plate	A	B	C	D	1
84	228904	60 Square	A	B	C	D	1
85	101013	Magnetic catch	A	B	C	D	2
86	266602	20 Access cover	A	B	C	D	1
87	427001	Gasket	A	B	C	D	1
88	105118	Nut	A	B	C	D	2
89	190004	Captive screw	A	B	C	D	2
90	200707	20 Inner front panel	A	B	C	D	1
91	236106	20 Sealing plate	A	B	C	D	1
92	100902	Axle	A	B	C	D	6
93	647519	28 Oven panel	A		C		1
93	647519	30 Oven panel		B		D	1
94	647614	20 Inner panel	A	B	C	D	1
95	124454	Strut	A	B	C	D	2
96	158760	Handle	A	B	C	D	1
97	137155	Refractory glass	A	B	C	D	1
98	137154	Glass	A	B	C	D	1
99	142303	Joint	A	B	C	D	1,45 m
100	142306	Adhesiverope	A	B	C	D	0,64 m
101	109847	Hinge	A	B	C	D	2
102	109844	Hinge	A	B	C	D	2
103	249100	28 Warming drawer panel	A		C		1
103	249100	30 Warming drawer panel		B		D	1
104	249200	10 Inner panel	A	B	C	D	1
105	105501	Block stop	A	B	C	D	2
106	158603	Handle	A	B	C	D	1
107	909814	Hinge	A	B	C	D	2
108	451009	Stiffening plate	A	B	C	D	2
109	200114	Base	A	B	C	D	1
110	202301	Ash pan guide	A	B	C	D	2
111	200422	10 Plinth	A	B	C	D	2
112	624029	Ash-pan	A	B	C	D	1
113	400207	60 Ash pan handle	A	B	C	D	1
114	232804	Ash guide	A	B	C	D	1
115	639000	Warming drawer top	A	B	C	D	1
116	233008	Soot guide	A	B	C	D	1
117	446205	Protection plate	A	B	C	D	1
118	446206	Protection plate	A	B	C	D	1
119	222505	Flue baffle	A	B	C	D	1
120	691021	20 Oven	A	B	C	D	1
121	134915	Wire rack	A	B	C	D	1
122	218805	Baking tray	A	B	C	D	1
123	218904	20 Baking dish	A	B	C	D	1
124	308881	Oven top	A	B	C	D	1
125	313807	Supplementary panel	A	B	C	D	1
126	446207	Protection plate	A	B	C	D	1
127	209700	Screen	A	B	C	D	1
128	205503	Strut	A	B	C	D	1
129	208403	Heat shield	A	B	C	D	1
130	446200	Protection plate	A	B		C D	1
131	446201	Protection plate	A	B	C	D	1
132	607500	Oven back panel	A	B	C	D	1
133	446203	Protection plate	A	B	C	D	1
134	608700	Inner panel	A	B	C	D	1
135	208104	Heat shield	A	B	C	D	1
136	446202	Protection plate	A	B	C	D	1
137	446208	Protection plate	A	B	C	D	1
138	446204	Protection plate	A	B	C	D	1
139	209305	Suppl. heat shield	A	B	C	D	1
140	653381	30 Top panel		B		D	1
140	653381	35 Top panel	A		C		1
141	100602	Snap clip	A	B	C	D	4
142	134505	Push clip	A	B	C	D	4
143	123461	Trim	A	B	C	D	1
144	178607	Thermometer	A	B	C	D	1
145	177034	Dash board	A	B	C	D	1
147	105114	Knob	A	B	C	D	1
148	460007	Regulator shaft	A	B	C	D	1
149	301288	Driving bar	A	B	C	D	1
150	324602	Driving bar	A	B	C	D	1
151	100943	Bolt	A	B	C	D	2
152	325701	Flue door	A	B	C	D	1
153	313301	Hinge	A	B	C	D	2
154	400012	Axle	A	B	C	D	2
155	304509	Frame	A	B	C	D	1
156	304615	Direct draught door	A	B	C	D	1
157	134702	Pin	A	B	C	D	2
158	462415	Direct draught rod	A	B	C	D	1
159	236905	60 Driving bar	A	B	C	D	1
160	231301	Square	A	B	C	D	1
161	100939	Axle	A	B	C	D	3
162	105115	Knob	A	B	C	D	2
163	179911	Thread rod	A	B	C	D	2
164	813100	60 Lifting handle	A	B	C	D	1
165	312803	60 Hand tool	A	B	C	D	1
166	858003	60 Scraper	A	B	C	D	1
167	180002	Poker	A	B	C	D	1



168	154801	Operating tool	A	B	C	D	1	
170	301506	60 Door lock	A	B	C	D	2	
171	301731	91 Air damper	A	B	C	D	1	
172	905103	Half box with wheel	A	B	C	D	1	
173	326001	91 Half box	A	B	C	D	1	
174	652604	25 Cover	A		C		1	
174	652604	30 Cover		B		D	1	
175	254520	20 Supplementary cover	A	B	C	D	2/1	
176	652738	25 Cover	A		C		1	
176	652738	30 Cover		B		D	1	
177	652605	25 Cover	A		C		1	
177	652605	30 Cover		B		D	1	
178	254701	20 Inner cover	A	B	C	D	1	
179	252801	25 Cover	A		C		1	
179	252801	30 Cover		B		D	1	
180	254801	20 Inner cover	A	B	C	D	1	
181	158540	Handle	A	B	C	D	3/2	
182	109826	Hinge	A	B	C	D	2	
183	109825	Hinge	A	B	C	D	2	
184	109824	Hinge	A	B	C	D	2	
185	122303	Capnut	A	B	C	D	4	
186	189108	Screw	5X8	A	B	C	D	4
201	134252	Bushing	A	B	C	D	1	
202	134701	Pin	5x24	A	B	C	D	1
203	301518	60 Door lock	A	B	C	D	1	