

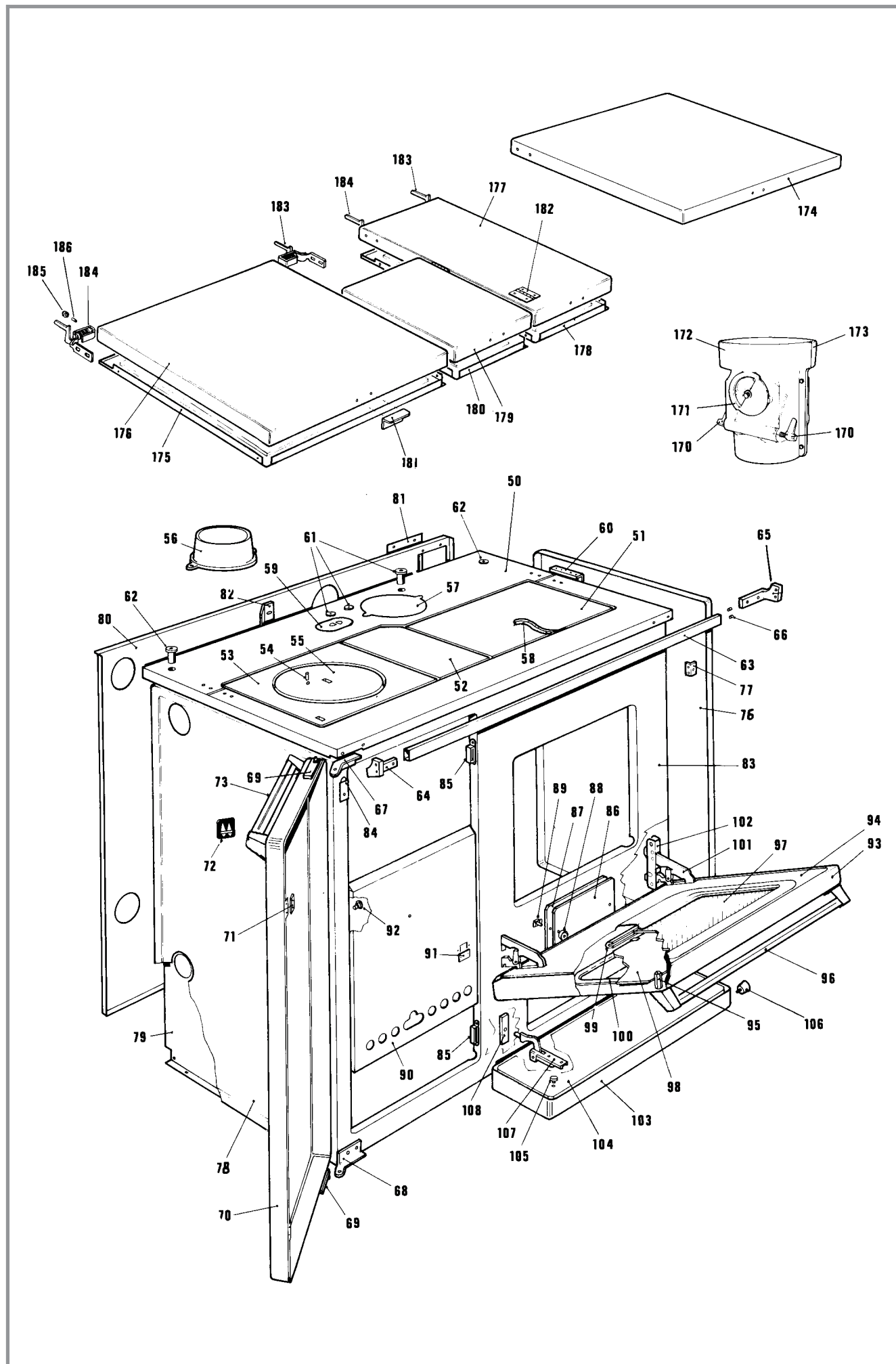
4. Spare parts

When ordering spare parts, specify the appliance type and serial number, including the colour index (on the guarantee or identification plate), the name of the part and the part number.

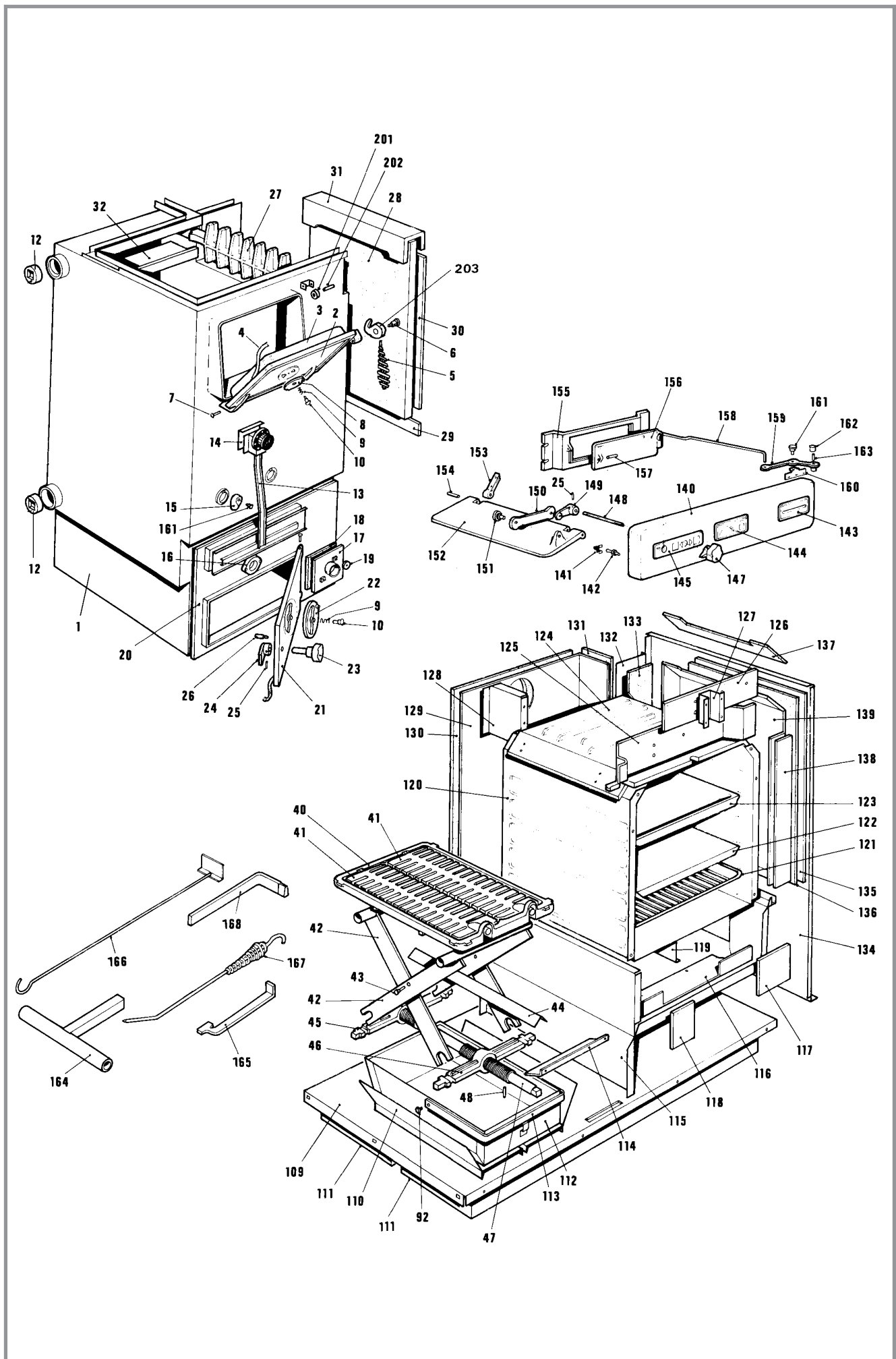
Example : Cooker, ref : **82.914 A**, Front panel **652566 QV**.

A = **82.914 A** B = **82 914 B**
C = **82 916 A** D = **82 916 B**

| N° | Code | Description | Type | A | B | C | D | Qty |
|----|--------|--|-----------|---|---|---|---|--------|
| 0 | 135090 | Lubricant compound | | A | B | C | D | 1 |
| 1 | 911900 | Water jacket | | A | B | | | 1 |
| 1 | 911901 | Water jacket | | | | C | D | 1 |
| 2 | 309927 | 60 Main door | | A | B | C | D | 1 |
| 2 | 981600 | Main door | | A | B | C | D | 1 |
| 3 | 314605 | 60 Inner panel | | A | B | C | D | 1 |
| 4 | 181602 | Ceramic rope | Ø 8 | A | B | C | D | 3,90 m |
| 5 | 158542 | Handle | | A | B | C | D | 1 |
| 6 | 100954 | Axle | | A | B | C | D | 1 |
| 7 | 110402 | Hinge pin | 6x30 | A | B | C | D | 4 |
| 8 | 301713 | 60 Air damper | | A | B | C | D | 1 |
| 9 | 166003 | Spring | 11x15 | A | B | C | D | 2 |
| 10 | 189103 | Screw | 27x8x6 | A | B | C | D | 2 |
| 13 | 179010 | Thermostat | | A | B | C | D | 1 |
| 14 | 261802 | Heat shield | | A | B | C | D | 1 |
| 15 | 320605 | 60 Sliding door | | A | B | C | D | 2 |
| 16 | 325301 | 60 Reducing plate | | A | B | C | D | 1 |
| 17 | 305913 | 60 Access cover | | A | B | C | D | 1 |
| 18 | 142335 | Gasket | 105x105x3 | A | B | C | D | 1 |
| 19 | 105104 | Nut | | A | B | C | D | 2 |
| 20 | 300806 | 60 Frame | | A | B | C | D | 1 |
| 21 | 301139 | 60 Ash pan door | | A | B | C | D | 1 |
| 21 | 988801 | Complete door | | A | B | C | D | 1 |
| 22 | 301711 | 60 Air damper | | A | B | C | D | 1 |
| 23 | 446300 | Knob | | A | B | C | D | 1 |
| 24 | 301509 | Door lock | | A | B | C | D | 1 |
| 25 | 134750 | Pin | 4x26 | A | B | C | D | 2 |
| 26 | 100905 | Axle | | A | B | C | D | 1 |
| 27 | 326700 | Flue guard | | A | B | | | 1 |
| 27 | 326701 | Flue guard | | | | C | D | 1 |
| 28 | 105221 | Firebrick | | A | B | | | 1 |
| 30 | 157522 | Insulated plate | | A | B | | | 1 |
| 31 | 321002 | Firebrick fixation | | A | B | | | 1 |
| 32 | 302726 | Top plate shield | | A | B | | | 1 |
| 40 | 319705 | Grate support | | A | B | C | D | 1 |
| 41 | 306714 | Oscillating grate | | A | B | C | D | 2 |
| 42 | 867700 | 60 Cross piece | | A | B | C | D | 2 |
| 43 | 100951 | Axle | | A | B | C | D | 2 |
| 44 | 208300 | Screen | | A | B | C | D | 1 |
| 45 | 922700 | Cast iron nut | | A | B | C | D | 1 |
| 46 | 922701 | Cast iron nut | | A | B | C | D | 1 |
| 47 | 189114 | Threaded lifting bar | | A | B | C | D | 1 |
| 48 | 134757 | Pin | | A | B | C | D | 2 |
| 50 | 302193 | Top plate | | A | B | C | D | 1 |
| 50 | 702113 | 80 Top plate | | A | B | C | D | 1 |
| 51 | 302414 | Top plate | | A | B | C | D | 1 |
| 52 | 302524 | Removable top plate | | A | B | C | D | 1 |
| 53 | 302226 | Removable top plate | | A | B | C | D | 1 |
| 54 | 189118 | Screw | Ø 10 | A | B | C | D | 1 |
| 55 | 303617 | Top plate | | A | B | C | D | 1 |
| 56 | 303819 | 60 Flue collar | | A | B | C | D | 1 |
| 57 | 303714 | Blanking plate | | A | B | C | D | 1 |
| 59 | 302604 | Access cover | | A | B | C | D | 1 |
| 60 | 211900 | Clamp | | A | B | C | D | 2 |
| 61 | 132750 | Tight hinge support | | A | B | C | D | 3 |
| 62 | 132751 | Hinge support | | A | B | C | D | 2 |
| 63 | 164558 | Decorativr bar | | A | B | C | D | 1 |
| 64 | 325002 | 60 Trim support | | A | B | C | D | 1 |
| 65 | 324902 | 60 Trim support | | A | B | C | D | 1 |
| 66 | 100940 | Axle | | A | B | C | D | 4 |
| 67 | 273206 | 60 Hinge | | A | B | C | D | 1 |
| 68 | 273406 | 60 Hinge | | A | B | C | D | 1 |
| 69 | 273508 | 60 Hinge | | A | B | C | D | 2 |
| 70 | 652566 | 45 Front panel | | | B | | D | 1 |
| 70 | 652566 | QV Front panel | | A | | C | | 1 |
| 71 | 134304 | Striking plate | | A | B | C | D | 2 |
| 72 | 122807 | Name plate | | A | B | C | D | 1 |
| 73 | 158761 | Handle | | A | B | C | D | 1 |
| 76 | 207833 | 25 R. side panel | | A | | C | | 1 |
| 76 | 207833 | 30 R. side panel | | | B | | D | 1 |
| 77 | 228000 | Square | | A | B | C | D | 4 |
| 78 | 207755 | 25 L. side panel | | A | | C | | 1 |
| 78 | 207755 | 30 L. side panel | | | B | | D | 1 |
| 79 | 208802 | Inner panel | | A | B | C | D | 1 |
| 80 | 204145 | Back panel | | A | B | C | D | 1 |
| 81 | 237402 | Reducing plate | | A | B | C | D | 2 |
| 58 | 181606 | 10MM ROPE SEAL (USED FOR HOT PLATE ROPE) | | | | | | |



| | | | | | | | |
|-----|--------|-------------------------|---|---|---|---|--------|
| 82 | 204201 | Supplementary plate | A | B | C | D | 1 |
| 83 | 200331 | 20 Front plate | A | B | C | D | 1 |
| 84 | 228904 | 60 Square | A | B | C | D | 1 |
| 85 | 101013 | Magnetic catch | A | B | C | D | 2 |
| 86 | 266602 | 20 Access cover | A | B | C | D | 1 |
| 87 | 427001 | Gasket | A | B | C | D | 1 |
| 88 | 105118 | Nut | A | B | C | D | 2 |
| 89 | 190004 | Captive screw | A | B | C | D | 2 |
| 90 | 200707 | 20 Inner front panel | A | B | C | D | 1 |
| 91 | 236106 | 20 Sealing plate | A | B | C | D | 1 |
| 92 | 100902 | Axle | A | B | C | D | 6 |
| 93 | 647519 | 28 Oven panel | A | | C | | 1 |
| 93 | 647519 | 30 Oven panel | | B | | D | 1 |
| 94 | 647614 | 20 Inner panel | A | B | C | D | 1 |
| 95 | 124454 | Strut | A | B | C | D | 2 |
| 96 | 158760 | Handle | A | B | C | D | 1 |
| 97 | 137155 | Refractory glass | A | B | C | D | 1 |
| 98 | 137154 | Glass | A | B | C | D | 1 |
| 99 | 142303 | Joint | A | B | C | D | 1,45 m |
| 100 | 142306 | Adhesive rope | A | B | C | D | 0,64 m |
| 101 | 109847 | Hinge | A | B | C | D | 2 |
| 102 | 109844 | Hinge | A | B | C | D | 2 |
| 103 | 249100 | 28 Warming drawer panel | A | | C | | 1 |
| 103 | 249100 | 30 Warming drawer panel | | B | | D | 1 |
| 104 | 249200 | 10 Inner panel | A | B | C | D | 1 |
| 105 | 105501 | Block stop | A | B | C | D | 2 |
| 106 | 158603 | Handle | A | B | C | D | 1 |
| 107 | 909814 | Hinge | A | B | C | D | 2 |
| 108 | 451009 | Stiffening plate | A | B | C | D | 2 |
| 109 | 200114 | Base | A | B | C | D | 1 |
| 110 | 202301 | Ash pan guide | A | B | C | D | 2 |
| 111 | 200422 | 10 Plinth | A | B | C | D | 2 |
| 112 | 624029 | Ash-pan | A | B | C | D | 1 |
| 113 | 400207 | 60 Ash pan handle | A | B | C | D | 1 |
| 114 | 232804 | Ash guide | A | B | C | D | 1 |
| 115 | 639000 | Warming drawer top | A | B | C | D | 1 |
| 116 | 233008 | Soot guide | A | B | C | D | 1 |
| 117 | 446205 | Protection plate | A | B | C | D | 1 |
| 118 | 446206 | Protection plate | A | B | C | D | 1 |
| 119 | 222505 | Flue baffle | A | B | C | D | 1 |
| 120 | 691021 | 20 Oven | A | B | C | D | 1 |
| 121 | 134915 | Wire rack | A | B | C | D | 1 |
| 122 | 218805 | Baking tray | A | B | C | D | 1 |
| 123 | 218904 | 20 Baking dish | A | B | C | D | 1 |
| 124 | 308881 | Oven top | A | B | C | D | 1 |
| 125 | 313807 | Supplementary panel | A | B | C | D | 1 |
| 126 | 446207 | Protection plate | A | B | C | D | 1 |
| 127 | 209700 | Screen | A | B | C | D | 1 |
| 128 | 205503 | Strut | A | B | C | D | 1 |
| 129 | 208403 | Heat shield | A | B | C | D | 1 |
| 130 | 446200 | Protection plate | A | B | C | D | 1 |
| 131 | 446201 | Protection plate | A | B | C | D | 1 |
| 132 | 607500 | Oven back panel | A | B | C | D | 1 |
| 133 | 446203 | Protection plate | A | B | C | D | 1 |
| 134 | 608700 | Inner panel | A | B | C | D | 1 |
| 135 | 208104 | Heat shield | A | B | C | D | 1 |
| 136 | 446202 | Protection plate | A | B | C | D | 1 |
| 137 | 446208 | Protection plate | A | B | C | D | 1 |
| 138 | 446204 | Protection plate | A | B | C | D | 1 |
| 139 | 209305 | Suppl. heat shield | A | B | C | D | 1 |
| 140 | 653381 | 30 Top panel | A | B | C | D | 1 |
| 140 | 653381 | 35 Top panel | A | B | C | D | 1 |
| 141 | 100602 | Snap clip | A | B | C | D | 4 |
| 142 | 134505 | Push clip | A | B | C | D | 4 |
| 143 | 123461 | Trim | A | B | C | D | 1 |
| 144 | 178607 | Thermometer | A | B | C | D | 1 |
| 145 | 177034 | Dash board | A | B | C | D | 1 |
| 147 | 105114 | Knob | A | B | C | D | 1 |
| 148 | 460007 | Regulator shaft | A | B | C | D | 1 |
| 149 | 301288 | Driving bar | A | B | C | D | 1 |
| 150 | 324602 | Driving bar | A | B | C | D | 1 |
| 151 | 100943 | Bolt | A | B | C | D | 2 |
| 152 | 325701 | Flue door | A | B | C | D | 1 |
| 153 | 313301 | Hinge | A | B | C | D | 2 |
| 154 | 400012 | Axle | A | B | C | D | 2 |
| 155 | 304509 | Frame | A | B | C | D | 1 |
| 156 | 304615 | Direct draught door | A | B | C | D | 1 |
| 157 | 134702 | Pin | A | B | C | D | 2 |
| 158 | 462415 | Direct draught rod | A | B | C | D | 1 |
| 159 | 236905 | 60 Driving bar | A | B | C | D | 1 |
| 160 | 231301 | Square | A | B | C | D | 1 |
| 161 | 100939 | Axle | A | B | C | D | 3 |
| 162 | 105115 | Knob | A | B | C | D | 2 |
| 163 | 179911 | Thread rod | A | B | C | D | 2 |
| 164 | 813100 | 60 Lifting handle | A | B | C | D | 1 |
| 165 | 312803 | 60 Hand tool | A | B | C | D | 1 |
| 166 | 858003 | 60 Scraper | A | B | C | D | 1 |
| 167 | 180002 | Poker | A | B | C | D | 1 |



| | | | | | | | | | | | | | |
|-----|--------|-----|---------------------|-----|------|-----|---|-----|---|-----|---|-----|-----|
| 168 | 154801 | ... | Operating tool | ... | A | ... | B | ... | C | ... | D | ... | 1 |
| 170 | 301506 | 60 | Door lock | ... | A | ... | B | ... | C | ... | D | ... | 2 |
| 171 | 301731 | 91 | Air damper | ... | A | ... | B | ... | C | ... | D | ... | 1 |
| 172 | 905103 | ... | Half box with wheel | ... | A | ... | B | ... | C | ... | D | ... | 1 |
| 173 | 326001 | 91 | Half box | ... | A | ... | B | ... | C | ... | D | ... | 1 |
| 174 | 652604 | 25 | Cover | ... | A | ... | | ... | C | ... | | ... | 1 |
| 174 | 652604 | 30 | Cover | ... | | ... | B | ... | | ... | D | ... | 1 |
| 175 | 254520 | 20 | Supplementary cover | ... | A | ... | B | ... | C | ... | D | ... | 2/1 |
| 176 | 652738 | 25 | Cover | ... | A | ... | | ... | C | ... | | ... | 1 |
| 176 | 652738 | 30 | Cover | ... | | ... | B | ... | | ... | D | ... | 1 |
| 177 | 652605 | 25 | Cover | ... | A | ... | | ... | C | ... | | ... | 1 |
| 177 | 652605 | 30 | Cover | ... | | ... | B | ... | | ... | D | ... | 1 |
| 178 | 254701 | 20 | Inner cover | ... | A | ... | B | ... | C | ... | D | ... | 1 |
| 179 | 252801 | 25 | Cover | ... | A | ... | | ... | C | ... | | ... | 1 |
| 179 | 252801 | 30 | Cover | ... | | ... | B | ... | | ... | D | ... | 1 |
| 180 | 254801 | 20 | Inner cover | ... | A | ... | B | ... | C | ... | D | ... | 1 |
| 181 | 158540 | ... | Handle | ... | A | ... | B | ... | C | ... | D | ... | 3/2 |
| 182 | 109826 | ... | Hinge | ... | A | ... | B | ... | C | ... | D | ... | 2 |
| 183 | 109825 | ... | Hinge | ... | A | ... | B | ... | C | ... | D | ... | 2 |
| 184 | 109824 | ... | Hinge | ... | A | ... | B | ... | C | ... | D | ... | 2 |
| 185 | 122303 | ... | Capnut | ... | A | ... | B | ... | C | ... | D | ... | 4 |
| 186 | 189108 | ... | Screw | ... | 5X8 | ... | A | ... | B | ... | C | ... | 4 |
| 201 | 134252 | ... | Bushing | ... | A | ... | B | ... | C | ... | D | ... | 1 |
| 202 | 134701 | ... | Pin | ... | 5x24 | ... | A | ... | B | ... | C | ... | 1 |
| 203 | 301518 | 60 | Door lock | ... | A | ... | B | ... | C | ... | D | ... | 1 |