

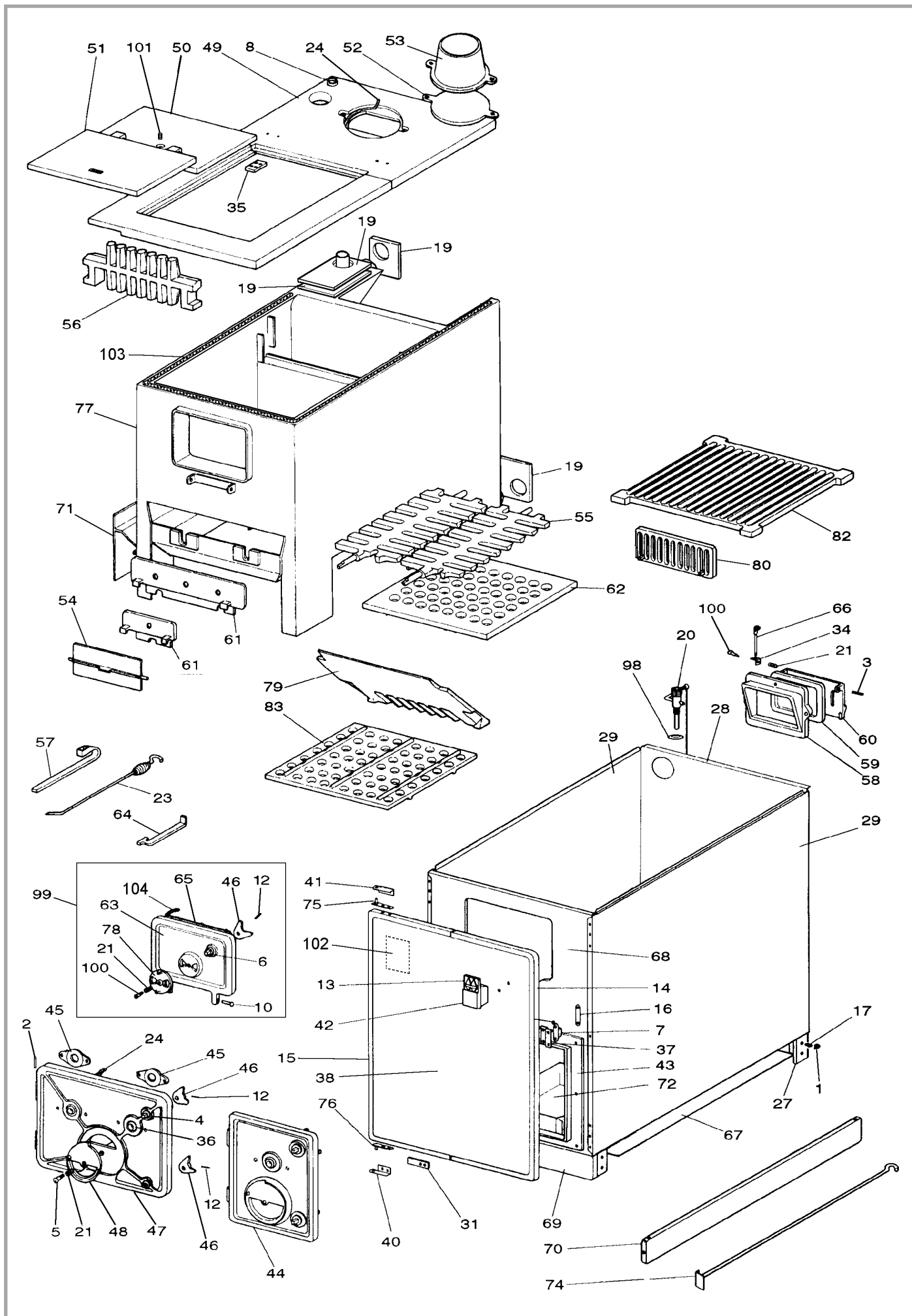
4. Spare parts

When ordering spare parts, specify the appliance type and serial number, including the colour index (on the guarantee or identification plate), the name of the part and the part number.

Example : **Grillon**, Ref.: **921 15 03 Z**, side panel **207706 30**

A = 921 15 03 Z **B** = 921 22 03 Z **C** = 921 29 05 Z

N°	Code	Description	Type	A	B	C	Qty
1	100602	Snap clip		A	B	C	24
2	134701	Pin	5x24	A	B	C	02
3	100931	Axle		A	B	C	02
4	100949	Axle		A	B	C	02
5	100955	Axle		A	B	C	01
6	100965	Axle		A	B	C	01
7	101013	Magnetic catch		A	B	C	01
8	101820	Ring		A	B	C	01
10	110402	Hinge pin	6x30	A	B		02
10	110403	Hinge pin	6x35			C	02
12	134704	Pin	5x38	A	B	C	03
13	122809	Name plate		A	B	C	01
14	123474	Trim		A			01
14	123476	Trim				C	01
14	123478	Trim			B		01
15	123475	Trim		A			01
15	123477	Trim				C	01
15	123479	Trim			B		01
16	134301	Striking plate		A	B	C	01
17	134501	Push clip		A	B	C	12
19	159925	Protection plate		A	B	C	04
20	164902	Regulator		A	B	C	01
21	166003	Spring	11x15	A	B	C	03
23	180002	Poker		A	B	C	01
24	181607	Ceramic rope	Ø 9,5	A			1,00 m
24	181607	Ceramic rope	Ø 9,5		B		1,10 m
24	181607	Ceramic rope	Ø 9,5			C	1,30 m
27	201000	60 Leg		A	B	C	04
28	204107	Back panel			B		01
28	204112	Back panel				C	01
28	204114	Back panel		A			01
29	207706	30 Side panel		A			02
29	207707	30 Side panel			B		02
29	207708	30 Side panel				C	02
31	209901	Protector		A	B	C	01
34	230000	Square		A	B	C	01
36	236105	Sealing plate		A	B	C	02
37	241804	Magnet support		A	B	C	01
38	252579	AL Front panel				C	01
38	252580	AL Front panel			B		01
38	252581	AL Front panel		A			01
40	273306	64 Hinge		A	B	C	01
41	273408	64 Hinge		A	B	C	01
42	300983	64 Handle		A	B	C	01
43	301010	60 Frame		A			01
43	301011	60 Frame			B		01
43	301012	60 Frame				C	01
44	301113	60 Ash pan door				C	01
44	301135	60 Ash pan door		A			01
44	301136	60 Ash pan door			B		01
45	301304	60 Clamp		A	B	C	02
46	301521	Door lock		A	B	C	03
48	301711	60 Air damper		A	B	C	01
49	702115	80 Top plate		A			01
49	702116	80 Top plate			B		01
49	702117	80 Top plate				C	01
49	302134	80 Complete top plate		A			01
49	302135	80 Complete top plate			B		01
49	302140	80 Complete top plate				C	01
50	302311	80 Top plate		A			01
50	302312	80 Top plate			B		01
50	302322	80 Top plate				C	01
51	302407	80 Top plate		A			01
51	302408	80 Top plate			B		01
51	302413	80 Top plate				C	01
52	303713	80 Blanking plate		A			01



52	303714	80	Blanking plate		B	C	01	
53	303818	60	Flue collar	A			01	
53	303819	60	Flue collar		B	C	01	
54	305911		Access cover	A			01	
54	305912		Access cover		B	C	01	
55	306704		Oscillating grate	A			01	
55	306705		Oscillating grate		B		02	
55	306706		Oscillating grate			C	02	
56	307102		Flue guard	A			01	
56	307103		Flue guard		B		01	
56	307104		Flue guard			C	01	
57	307105	60	Riddling handle	A	B	C	01	
58	307202	60	Frame	A	B	C	01	
59	307301	60	Door	A	B	C	01	
60	308201	60	Supplementary door	A	B	C	01	
61	309101		Face plate	A			01	
61	309102		Face plate		B		01	
61	309103		Face plate			C	01	
62	309202		Wood grate	A			01	
62	309204		Wood grate			C	01	
62	309206		Wood grate		B		01	
63	309945	60	Main door	A	B	C	01	
64	312803	60	Hand tool	A	B	C	01	
65	314606	60	Inner panel	A	B	C	01	
66	459200		Control rod	A	B	C	01	
67	600100	20	Base		B		01	
67	600103	20	Base			C	01	
67	600105	20	Base	A			01	
68	600349	20	Front plate	A			01	
68	600350	20	Front plate		B		01	
68	600351	20	Front plate			C	01	
69	600400	09	Plinth	A			01	
69	600422	09	Plinth		B		01	
69	600425	09	Plinth			C	01	
70	600501	09	Plinth	A			02	
70	600502	09	Plinth		B		02	
70	600503	09	Plinth			C	02	
71	633407		Boiler support			C	01	
71	633403		Boiler support	A			01	
71	633404		Boiler support		B		01	
72	624008		Ash-pan	A			01	
72	624009		Ash-pan		B		01	
72	624010		Ash-pan			C	01	
74	858003	60	Scraper	A	B	C	01	
75	900912	64	Hinge	A	B	C	01	
76	900913	64	Hinge	A	B	C	01	
77	910945		Water jacket	AV			01	
77	910946		Water jacket	AV	B		01	
77	910947		Water jacket	AV		C	01	
78	301713	60	Air damper	A	B	C	01	
79	307404		Inclined grate	A			01	
79	307405		Inclined grate		B		01	
79	307406		Inclined grate			C	01	
80	307423		Fuel retainer	A	B	C	01	
98	167510		Air damper	A	B	C	01	
99	988791		Complete door	A	B	C	01	
100	189103		Screw	27x8x6	A	B	C	01
101	189118		Screw	d. 10	A	B	C	01
103	181611		Ceramic rope	Ø 20	A	B	C	1,50 m
104	181619		Ceramic rope	Ø 12	A	B	C	0,75 m