

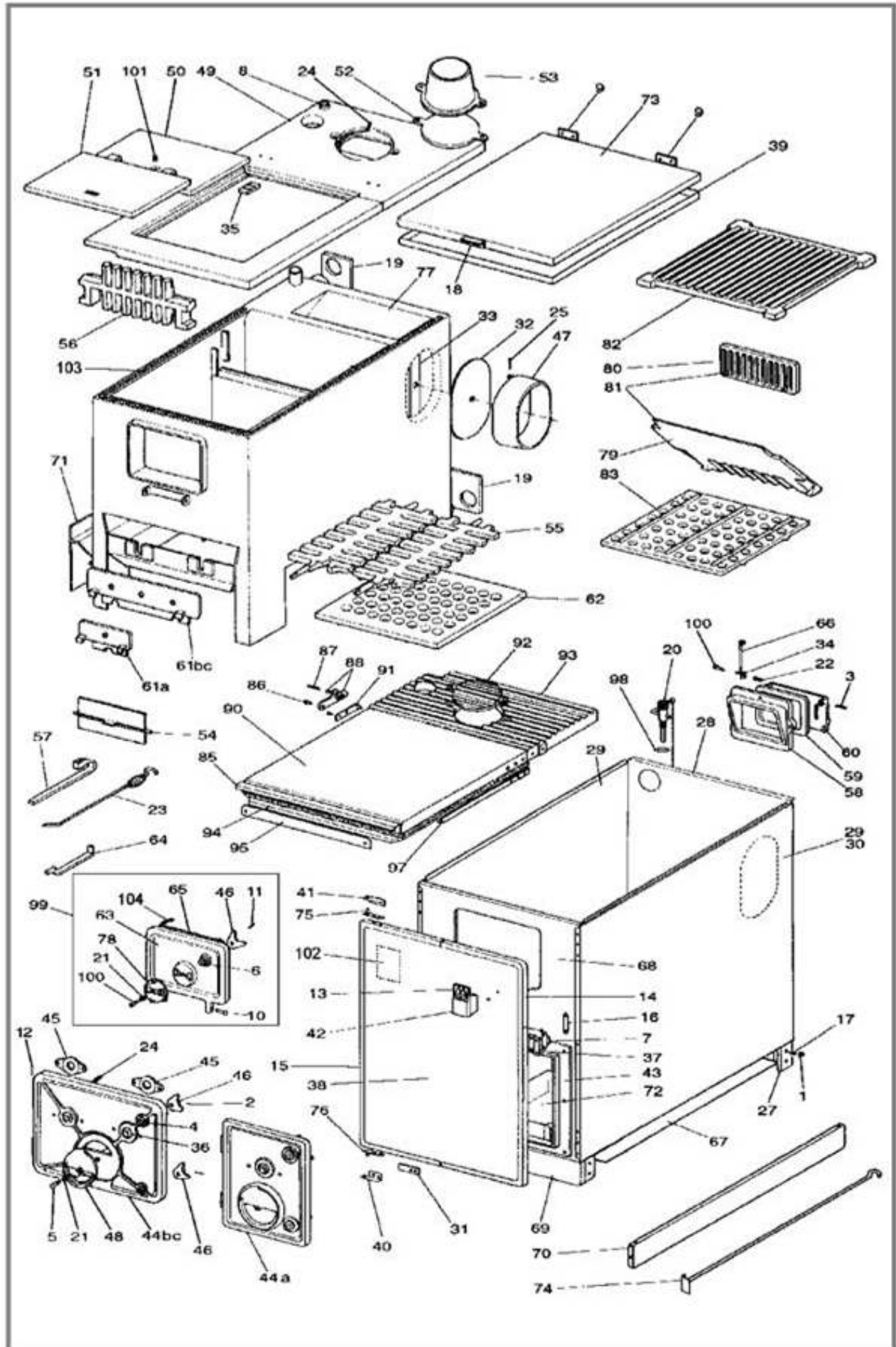
4. Spare parts

When ordering spare parts, specify the appliance type and serial number, including the colour index (on the guarantee or identification plate), the name of the part and the part number.

Example : Grillon, Ref . : 921.15.02 Z, side panel 20770630

A = 921.15.02 Z B = 921.15.02 U C = 921.22.02 Z
D = 921.22.02 U E = 921.29.02 Z F = 921.29.02 U
G = 921.29.03 C

N°	Code	Description	Type	A	B	C	D	E	F	G	Qty
1	100602	Snap clip		A	B	C	D	E	F	G	24
2	134701	Pin .	5x24	A	B	C	D	E	F	G	02
3	100931	Axle		A	B	C	D	E	F	G	02
4	100949	Axle		A	B	C	D	E	F	G	02
5	100955	Axle		A	B	C	D	E	F	G	01
6	100965	Axle		A	B	C	D	E	F	G	01
7	101013	Magnetic catch		A	B	C	D	E	F	G	01
8	101820	Ring		A	B	C	D	E	F	G	01
9	109806	Hinge								G	02
10	110402	Hinge pin	6x30	A	B	C	D			G	02
10	110403	Hinge pin	6x35					E	F		02
11	134703	Pin .	5x24							G	02
12	134704	Pin .	5x38	A	B	C	D	E	F	G	03
13	122809	Name plate		A	B	C	D	E	F	G	01
14	123474	Trim		A	B						01
14	123476	Trim						E	F	G	01
14	123478	Trim				C	D				01
15	123475	Trim		A	B						01
15	123477	Trim						E	F	G	01
15	123479	Trim				C	D				01
16	134301	Striking plate		A	B	C	D	E	F	G	01
17	134501	Push clip		A	B	C	D	E	F	G	12
18	158540	Handle . . .								G	01
19	159925	Protection plate		A	B	C	D	E	F		04
19	159925	Protection plate								G	05
20	164902	Regulator		A	B	C	D	E	F	G	01
21	166003	Spring	11x15	A	B	C	D	E	F	G	03
22	166008	Spring								G	01
23	180002	Poker		A	B	C	D	E	F	G	01
24	181607	Ceramic rope	.Ø 9,5	A	B						1 m
24	181607	Ceramic rope	.Ø 9,5			C	D				1,10 m
24	181607	Ceramic rope	.Ø 9,5					E	F	G	1,30 m
25	134751	Pin .	3,5x18							G	01
27	201000 60	Leg		A	B	C	D	E	F	G	04
28	204107	Back panel				C	D				01
28	204112	Back panel						E	F		01
28	204114	Back panel		A	B						01
28	204116	Back panel								G	01
29	207706 25	Side panel . . .			B						02
29	207706 30	Side panel . . .		A							02
29	207707 25	Side panel . . .					D				02
29	207707 30	Side panel . . .				C					02
29	207708 25	Side panel . . .							F		02
29	207708 30	Side panel . . .						E			02
29	207708 AB	Side panel . . .								G	01
30	207808 AB	R. side panel								G	01
31	209901	Protector		A	B	C	D	E	F	G	01
32	210401 64	Blanking plate .								G	01



33	210500	Clamp . . .							G	01
34	230000	Square	A	B	C	D	E	F	G	01
35	235502	Strength plate	A	B	C	D				02
36	236105	Sealing plate	A	B	C	D	E	F	G	02
37	241804	Magnet support . . .	A	B	C	D	E	F	G	01
38	252579 48	Front panel						F		01
38	252579 AB	Front panel							G	01
38	252579 AL	Front panel					E			01
38	252580 48	Front panel				D				01
38	252580 AL	Front panel			C					01
38	252581 48	Front panel		B						01
38	252581 AL	Front panel	A							01
39	254513 20	Supplementary cover							G	01
40	273306 64	Hinge	A	B	C	D	E	F	G	01
41	273408 64	Hinge	A	B	C	D	E	F	G	01
42	300983 64	Handle . . .	A	B	C	D	E	F	G	01
43	301010 60	Frame . . .	A	B						01
43	301011 60	Frame . . .			C	D				01
43	301012 60	Frame . . .					E	F	G	01
44	301113 60	Ash pan door					E	F	G	01
44	301135 60	Ash pan door	A	B						01
44	301136 60	Ash pan door			C	D				01
45	301304 60	Clamp . . .	A	B	C	D	E	F	G	02
46	301521	Door lock	A	B	C	D	E	F	G	03
47	301606 60	Flue collar .							G	01
48	301711 60	Air damper	A	B	C	D	E	F	G	01
49	302134 80	Top plate	A	B						01
49	302135 80	Top plate			C	D				01
49	302140 80	Top plate					E	F		01
49	352102 64	Top plate							G	01
49	702115 80	Top plate	A	B						01
49	702116 80	Top plate			C	D				01
49	702117 80	Top plate					E	F		01
49	702124 64	Top plate							G	01
50	302311 80	Top plate	A	B						01
50	302312 80	Top plate			C	D				01
50	302322 64	Top plate					E	F	G	01
51	302407 80	Top plate	A	B						01
51	302408 80	Top plate			C	D				01
51	302413 64	Top plate							G	01
52	303713 80	Blanking plate .	A	B						01
52	303714 64	Blanking plate .							G	01
52	303714 80	Blanking plate .			C	D	E	F		01
53	303818 60	Flue collar .	A	B						01
53	303819 60	Flue collar .			C	D	E	F	G	01
54	305911	Access cover	A	B						01
54	305912	Access cover			C	D	E	F	G	01
55	306704	Oscillating grate	A	B						01
55	306705	Oscillating grate			C	D				02
55	306706	Oscillating grate					E	F	G	02
56	307102	Flue guard	A	B						01
56	307103	Flue guard			C	D				01
56	307104	Flue guard					E	F	G	01
57	307105 60	Riddling handle .	A	B	C	D	E	F	G	01
58	307202 60	Frame . . .	A	B	C	D	E	F	G	01
59	307301 60	Door . . .	A	B	C	D	E	F	G	01
60	308201 60	Supplementary door	A	B	C	D	E	F	G	01
61	309101	Face plate . . .	A	B						01
61	309102	Face plate . . .			C	D				01
61	309103	Face plate . . .					E	F	G	01

62	309202	Wood grate		A	B							01
62	309204	Wood grate						E	F	G		01
62	309206	Wood grate				C	D					01
63	309945	60 Main door		A	B	C	D	E	F	G		01
64	312803	60 Hand tool		A	B	C	D	E	F	G		01
65	314606	60 Inner panel . .		A	B	C	D	E	F	G		01
66	459200	Control rod . .		A	B	C	D	E	F	G		01
67	600100	20 Base . . .				C	D					01
67	600103	20 Base . . .						E	F	G		01
67	600105	20 Base . . .		A	B							01
68	600349	20 Front plate .		A	B							01
68	600350	20 Front plate .				C	D					01
68	600351	20 Front plate .						E	F	G		01
69	600400	09 Plinth .		A	B							01
69	600422	09 Plinth .				C	D					01
69	600425	09 Plinth .						E	F	G		01
70	600501	09 Plinth .		A	B							02
70	600502	09 Plinth .				C	D					02
70	600503	09 Plinth .						E	F	G		02
71	633401	Boiler support				C	D	E	F	G		01
71	633402	Boiler support		A	B							01
72	624008	Ash-pan		A	B							01
72	624009	Ash-pan				C	D					01
72	624010	Ash-pan						E	F	G		01
73	652739	AB Cover								G		01
74	858003	60 Scraper		A	B	C	D	E	F	G		01
75	900912	64 Hinge . . .		A	B	C	D	E	F	G		01
76	900913	64 Hinge . . .		A	B	C	D	E	F	G		01
77	910903	Water jacket .	AV	A	B							01
77	910904	Water jacket .	AV			C	D					01
77	910905	Water jacket .	AV					E	F			01
77	910906	Water jacket .	AV							G		01
78	301713	60 Air damper . .		A	B	C	D	E	F	G		01
79	307404	Inclined grate		A	B							01
79	307405	Inclined grate				C	D					01
79	307406	Inclined grate						E	F			01
80	307423	Fuel retainer .		A	B	C	D	E	F			01
81	974313	Coal kit .								G		01
82	309406	Summer coal grate		A	B							01
82	309407	Summer coal grate				C	D					01
82	309408	Summer coal grate						E	F	G		01
83	309203	Summer wood grate .		A	B							01
83	309204	Summer wood grate .				C	D					01
83	309205	Summer wood grate .						E	F	G		01
87	100929	Axle								G		01
88	148003	Latch set . . .		A	B	C	D	E	F			01
91	900912	64 Hinge . . .		A	B	C	D	E	F			02
93	302732	Top plate shield		A	B							01
93	302733	Top plate shield				C	D					01
93	302734	Top plate shield						E	F			01
94	260540	Heat shield . . .		A	B							01
94	260541	Heat shield . . .				C	D					01
94	260542	Heat shield . . .						E	F			01
95	254500	Supplementary cover				C	D					01
95	254501	Supplementary cover						E	F			01
95	254521	Supplementary cover		A	B							01
97	229706	Square . . .						E	F			02
97	229707	Square . . .				C	D					02
97	229708	Square . . .		A	B							02
98	167510	Air damper . . .		A	B	C	D	E	F			01

99	988791	Complete door		A... B... C... D	. E	. F	. G	01
100	189103	Screw	27x8x6 ...	A... B... C... D	. E	. F	. G	01
101	189118	Screw	. Ø 10.	A... B... C... D	. E	. F	. G	01
102	162000	Descriptive plate		A... B...				01
102	162001	Descriptive plate		. C	. D			01
102	162002	Descriptive plate			. E	. F		01
102	162003	Descriptive plate					. G	01
103	181611	Ceramic rope	. Ø 20.	A... B... C	. D	. E	. F	1,50 m
103	181611	Ceramic rope	. Ø 20.				. G	1,42 m
104	181619	Ceramic rope	. Ø 12.	A... B... C	. D	. E	. F	0,75 m
104	181619	Ceramic rope	. Ø 12.				. G	1 m