

Technical Specification Bulletin Number TB03

Fuel Type
oil

Date of Issue
March 1999

Edition
2b



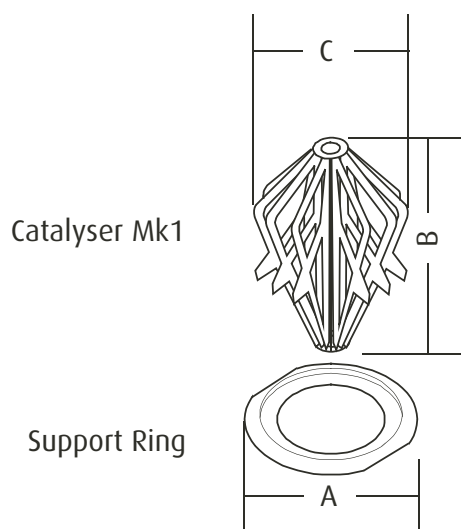
The Stove Company

Oil Burner Catalyser Identification

Page Number 1

Mk1 Catalyser - Twin Skin Burner.

Catalyser is supported by a one piece ring



Catalyser Mk1

Burner Size	B	C	Part Number
6"	130mm	105mm	337
8"	170mm	135mm	339
10"	170mm	135mm	339

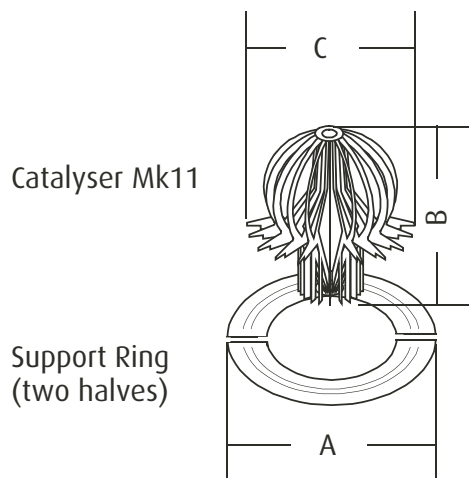
Catalyser Support Ring Mk1

Burner size	A	Part Number
6"	142mm	3113
8"	171mm	3112
10"	206mm	3111

Mk 11 Catalyser - Single Skin Burner

Catalyser is supported by a two piece split ring

Catalyser shape may not be as shown, shape changes between burner sizes
For accurate identification use measurements



Catalyser Mk11

Burner Size	B	C	Part Number
6"	125mm	130mm	32824
8"	150mm	146mm	26428
10"	155mm	181mm	26429

Catalyser Support Ring Mk11

Burner Size	A Support ring size	Part Number
6"	172mm	32822 (two required per stove)
8"	195mm	23908 (two required per stove)
10"	225mm	23920 (two required per stove)